



Exhaust System Installation

PN: M-5200-F1550145L & M-5200-F1535145L



Ford Motor Company recommends that your Ford Dealer or professional aftermarket parts installer, who has all the necessary equipment, tools and experienced personnel needed for proper installation, should perform the installation of this system. However, if you decide to perform the installation, we recommend someone should help you. Ensure the installer uses all under car safety precautions including eye protection.

Thank you for purchasing a Ford Racing Performance Parts Exhaust Kit.

The Ford Racing Performance Parts Exhaust Kit (Part number M-5200-F1550145L) is designed for the Ford F-150, 5.0L V8 Engine, 2 or 4-wheel drive and automatic transmission.

The Ford Racing Performance Parts Exhaust Kit (Part number M-5200-F1535145L) is designed for the Ford F-150, 3.5L V6 EcoBoost engine, 2 or 4-wheel drive and automatic transmission.

Caution!!! Never work on a hot exhaust system. Serious injury in the form of burns can result. If the vehicle has been in use and the exhaust system is hot, allow vehicle to cool for at least 1 hour. Always wear eye protection when working under any vehicle.

Note: It is our recommendation that you use a hoist or hydraulic lift to facilitate the installation of your new Ford Performance Parts Exhaust Kit.

Taking all under car safety precautions, lift the vehicle using a hoist or hydraulic lift. Once this has been done, you may begin the removal of your old exhaust system from the vehicle.

Note: Before removing the original exhaust system from your vehicle, please compare the parts you have received with the Bill of Materials provided in the next page to assure that you have all the parts necessary for the installation of your new Ford Racing Performance Parts Exhaust Kit.

Minimum Required Tool List:

TOOLS:

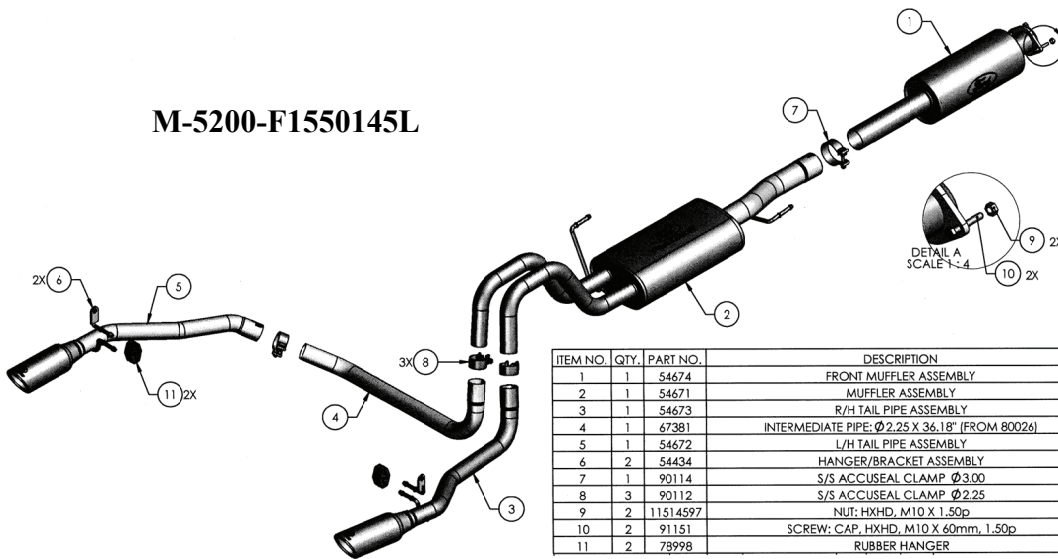
- 1 3/8" Drive Ratchet
- 2 3/8" Drive Extension 3"
- 3 15mm Deep Well Socket
- 5 Pry Bar

SHOP SUPPLIES:

- 1 Spray Lubricant

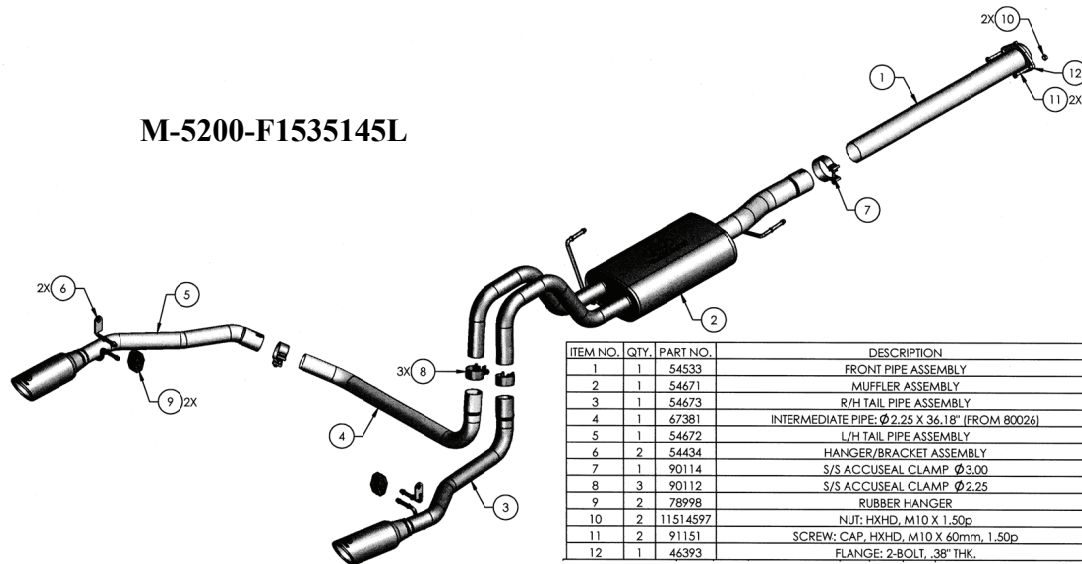
Ford Racing Performance Parts Bill of Materials

M-5200-F1550145L



ITEM NO.	QTY.	PART NO.	DESCRIPTION
1	1	54674	FRONT MUFFLER ASSEMBLY
2	1	54671	MUFFLER ASSEMBLY
3	1	54673	R/H TAIL PIPE ASSEMBLY
4	1	67381	INTERMEDIATE PIPE: Ø2.25 X 36.18" (FROM 80026)
5	1	54672	L/H TAIL PIPE ASSEMBLY
6	2	54434	HANGER/BRACKET ASSEMBLY
7	1	90114	S/S ACCUSEAL CLAMP Ø3.00
8	3	90112	S/S ACCUSEAL CLAMP Ø2.25
9	2	11514597	NUT: HXHD, M10 X 1.50p
10	2	91151	SCREW: CAP, HXHD, M10 X 60mm, 1.50p
11	2	78998	RUBBER HANGER

M-5200-F1535145L



ITEM NO.	QTY.	PART NO.	DESCRIPTION
1	1	54533	FRONT PIPE ASSEMBLY
2	1	54671	MUFFLER ASSEMBLY
3	1	54673	R/H TAIL PIPE ASSEMBLY
4	1	67381	INTERMEDIATE PIPE: Ø2.25 X 36.18" (FROM 80026)
5	1	54672	L/H TAIL PIPE ASSEMBLY
6	2	54434	HANGER/BRACKET ASSEMBLY
7	1	90114	S/S ACCUSEAL CLAMP Ø3.00
8	3	90112	S/S ACCUSEAL CLAMP Ø2.25
9	2	78998	RUBBER HANGER
10	2	11514597	NJT: HXHD, M10 X 1.50p
11	2	91151	SCREW: CAP, HXHD, M10 X 60mm, 1.50p
12	1	46393	FLANGE: 2-BOLT, .38" THK.

Caution!!! *Never work on a hot exhaust system. Serious injury in the form of burns can result* If the vehicle has been in use and the exhaust system is hot, allow vehicle to cool for at least 1 hour. Always wear eye protection when working under any vehicle.

Note: It is our recommendation that you use a hoist or hydraulic lift to facilitate the installation of your new Ford Racing Performance Parts Exhaust Kit.

Taking all under car safety precautions, lift the vehicle using a hoist or hydraulic lift. Once this has been done, you may begin the removal of your old exhaust system from your vehicle.

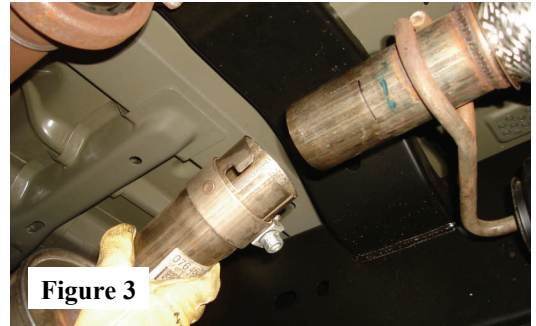
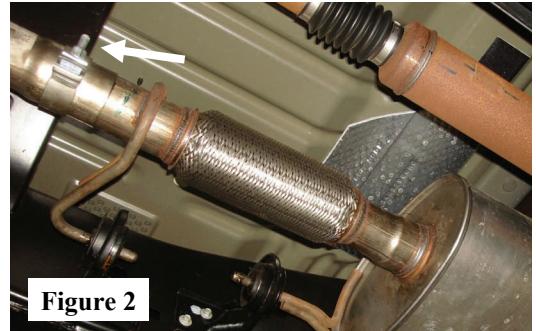
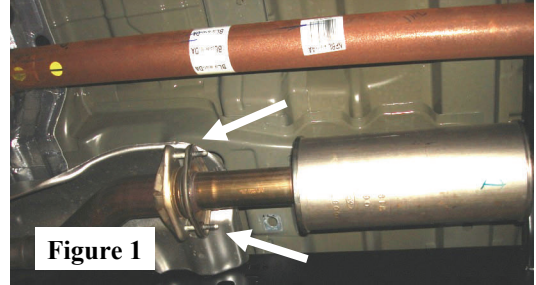
Note: Before removing the original exhaust system from your vehicle, please compare the parts you have received with the bill of materials provided on the previous page to assure that you have all the parts necessary for the installation of your new Ford Racing Performance Parts Exhaust Kit.

Original Exhaust System Removal

Note: With a used vehicle, we suggest a penetrating spray lubricant to be applied liberally to all exhaust fasteners and allowing a significant period of time for the chemical to lubricate the threads before attempting to disassemble.

1. Lubricate all hangers and rubber isolators.
2. Unbolt the front flange bolts. Keep hardware for reinstallation of your new exhaust. (See Fig. 1)
3. Loosen clamp on front muffler. (See Fig. 2)
4. Remove front muffler assembly. (See Fig. 3)
5. Using a muffler stand or an additional person to hold the exhaust system up in place, remove the hangers from the rubber isolators and remove the remaining exhaust system from the vehicle. (See Figs. 4 & 5)

Warning: *Use extreme caution during installation. Torque all fasteners according to manufacturer's torque values and tightening sequence. DO NOT use air impact tools to tighten fasteners on Ford Racing Performance Parts Exhaust Kits. Use of such tools may result in bent flanges or gasket contact areas leading to exhaust leaks.*



Ford Racing Performance Parts Exhaust Kit Installation

1. Working on a flat surface and referring to drawing on page 2, Assemble Front Pipe and Muffler Assembly with 3" clamp. DO NOT tighten the clamp.
2. Position the assembly over the rear axle and insert hangers into factory rubber isolators. (See Fig. 6)
3. Assemble Front Pipe hardware and tighten hardware. (See Fig. 7)
4. Install Hanger Bracket Assembly to driver's side. (See Fig. 8A)
5. Install Hanger Bracket Assembly to passenger side. (See Fig. 8B)
6. Assemble Intermediate Pipe and L/H Tail Pipe. (See Fig 9) Position inlet pipe into left-side Muffler Assembly and insert hangers into rubber isolators. (See Fig. 10) DO NOT tighten the clamp.
7. Position R/H Tail Pipe Assembly into right-side Muffler Assembly and insert hangers into rubber isolators. DO NOT tighten the clamp.
8. Check your exhaust system for proper clearance under the vehicle and also for tip alignment. Starting at the front and moving to the rear, tighten the Accuseal clamps to 32-35 ft. lbs.
9. Before starting your vehicle, make sure to check all wires, hoses, brake lines, body parts and tires for safe clearance from the exhaust system.
10. Start vehicle and check for any leaks. If any leaks are found, determine cause (such as loose or incorrectly positioned clamp) and repair as necessary.

Note: When you first start your vehicle after the installation of your new Ford Racing Performance Parts Exhaust Kit, there may be some smoke and fumes coming from the system. This is a protective oil based coating used in the manufacturing of mandrel bent performance exhaust tubing. This is not a problem and will disappear within a very short period of time after the exhaust has reached normal operating temperatures.

Congratulations!!! You have completed the installation of your new Ford Racing Performance Parts Exhaust Kit.

