



**FORD PERFORMANCE**

M-1447-F15BC  
2021-2022MY F-150  
Black Ovals With Camera Provision Kit

NO PART OF THIS DOCUMENT MAY BE REPRODUCED WITHOUT PRIOR AGREEMENT AND WRITTEN PERMISSION OF  
FORD PERFORMANCE PARTS © Ford Motor Company 2020

**PRIOR TO INSTALLATION READ THESE INSTRUCTION COMPETELY**  
For questions, Call the FORD PERFORMANCE Techline 1-800-367-3788

Please visit <https://www.performanceparts.ford.com> for warranty information



Ford Factory Shop Manual purchase options [www.motorcraftservice.com](http://www.motorcraftservice.com)



FORD PERFORMANCE

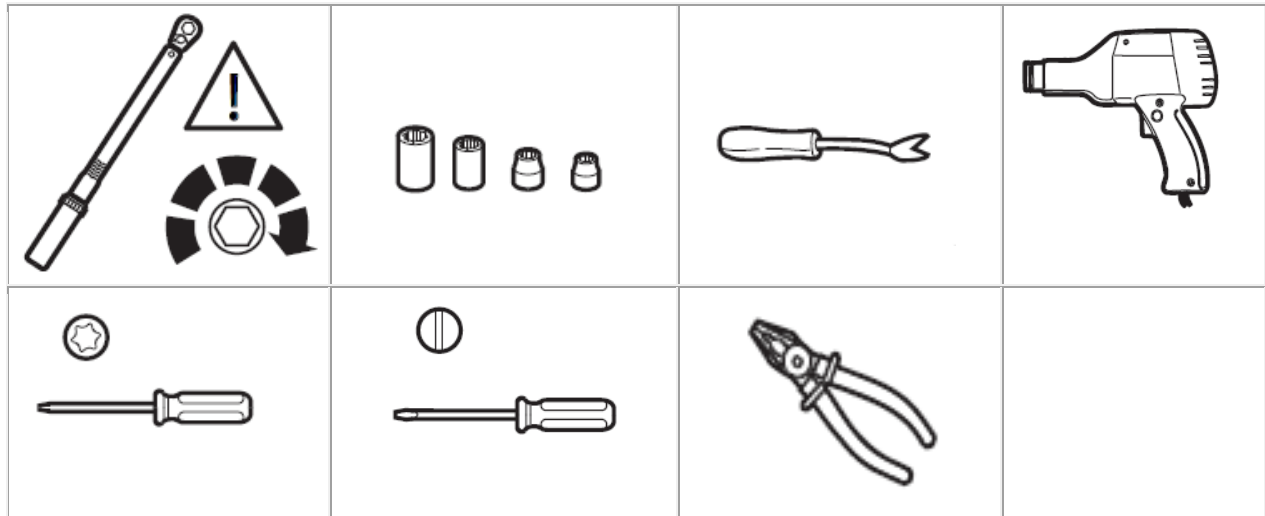
M-1447-F15BC  
2021-2022MY F-150  
Black Ovals With Camera Provision Kit

NO PART OF THIS DOCUMENT MAY BE REPRODUCED WITHOUT PRIOR AGREEMENT AND WRITTEN PERMISSION OF FORD PERFORMANCE PARTS © Ford Motor Company 2020

**Kit contents:**

<b>Description</b>	<b>Quantity</b>
FPP F-150 Black Pack Oval (Grille)	1
FPP F-150 Black Pack Oval (Tailgate)	1

**Special Tool(s) / General Equipment**




Ford Factory Shop Manual purchase options [www.motorcraftservice.com](http://www.motorcraftservice.com)

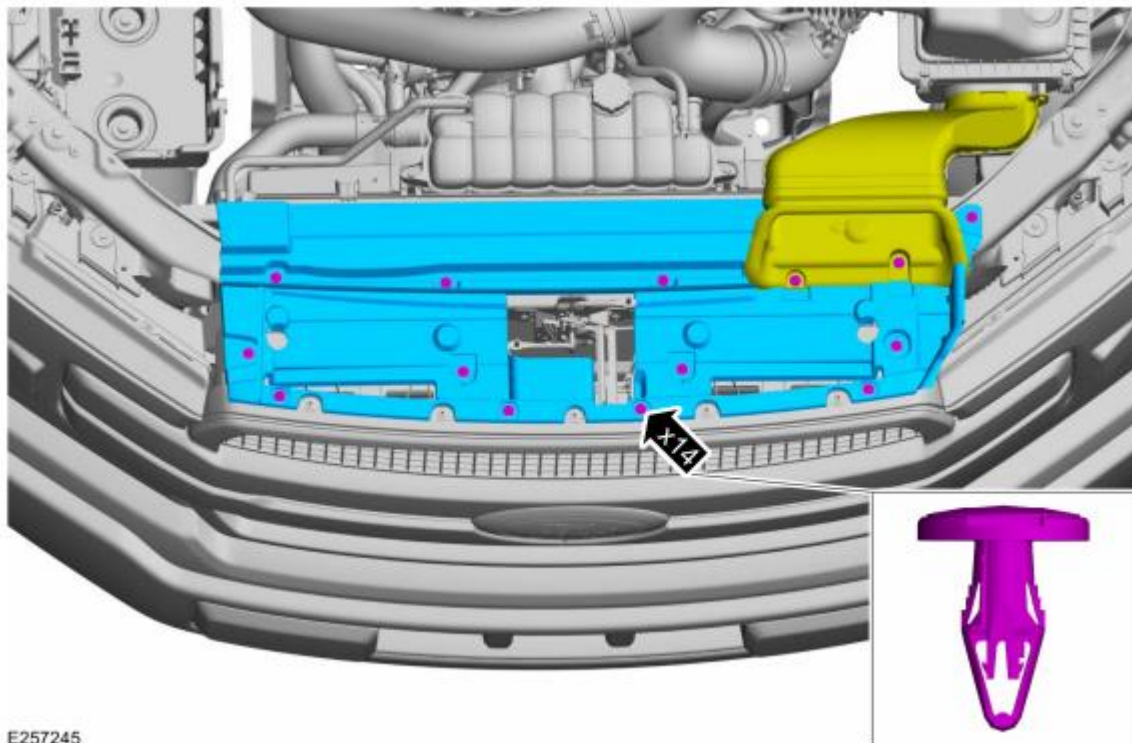
NO PART OF THIS DOCUMENT MAY BE REPRODUCED WITHOUT PRIOR AGREEMENT AND WRITTEN PERMISSION OF FORD PERFORMANCE PARTS © Ford Motor Company 2020

### Removal – Grille Oval

**NOTE:** Removal steps in this procedure may contain installation details.

 Extreme cold weather will cause breakage. A hair dryer can be used to localize warmth before flexing release tabs.

1. Remove the push pin retainers, position aside the air intake duct, and remove the air deflector.

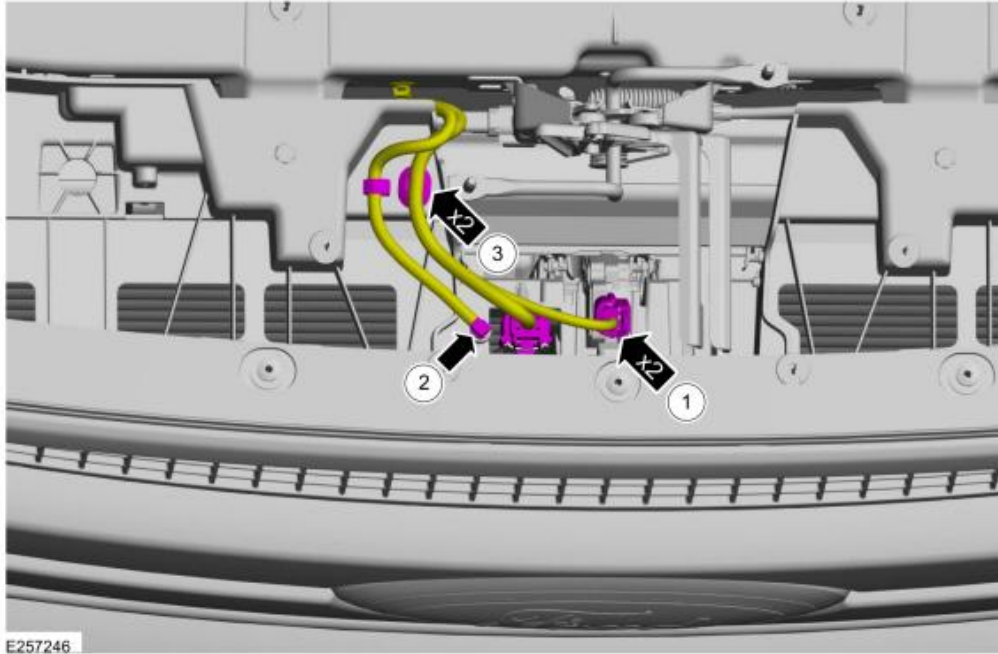


E257245

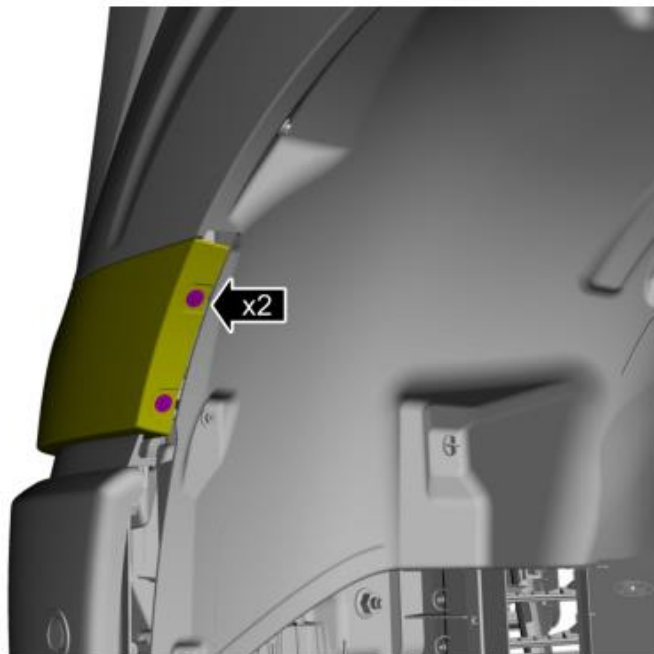
Ford Factory Shop Manual purchase options [www.motorcraftservice.com](http://www.motorcraftservice.com)

NO PART OF THIS DOCUMENT MAY BE REPRODUCED WITHOUT PRIOR AGREEMENT AND WRITTEN PERMISSION OF FORD PERFORMANCE PARTS © Ford Motor Company 2020

2. **If equipped**, Disconnect the electrical connectors and washer hose.



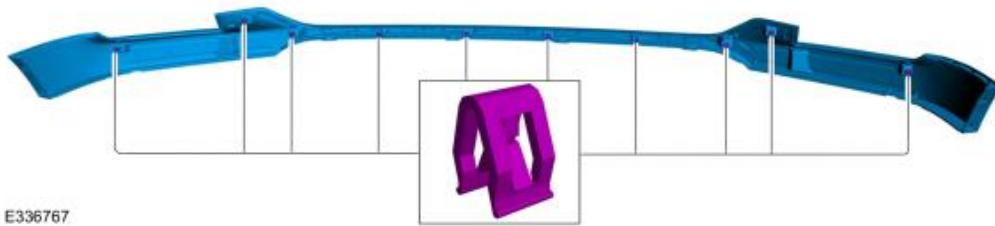
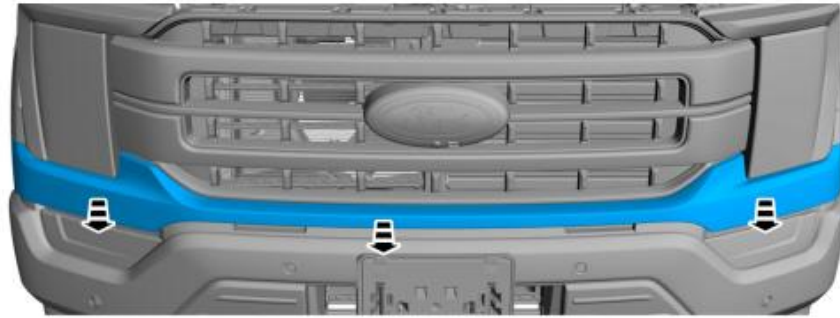
3. On both sides, remove the 2 screws. *Torque: 15 lb.in (1.7 Nm)*



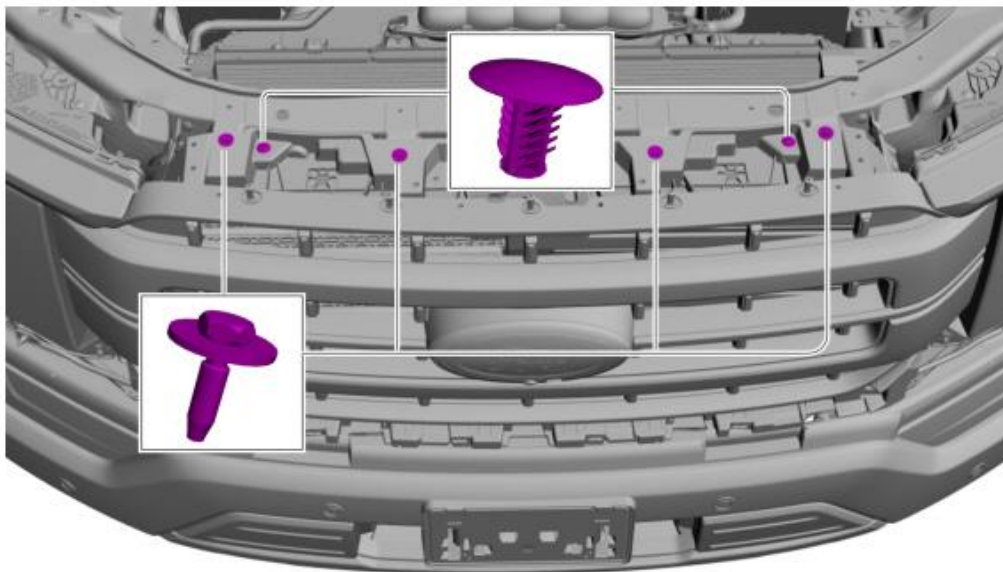
Ford Factory Shop Manual purchase options [www.motorcraftservice.com](http://www.motorcraftservice.com)

NO PART OF THIS DOCUMENT MAY BE REPRODUCED WITHOUT PRIOR AGREEMENT AND WRITTEN PERMISSION OF FORD PERFORMANCE PARTS © Ford Motor Company 2020

4. Remove the front bumper upper cover trim panel using a flat-blade screwdriver to release the locking tabs.



5. Remove the bolts and the pin-type retainer. *Torque: 36 lb.in (4.1 Nm)*

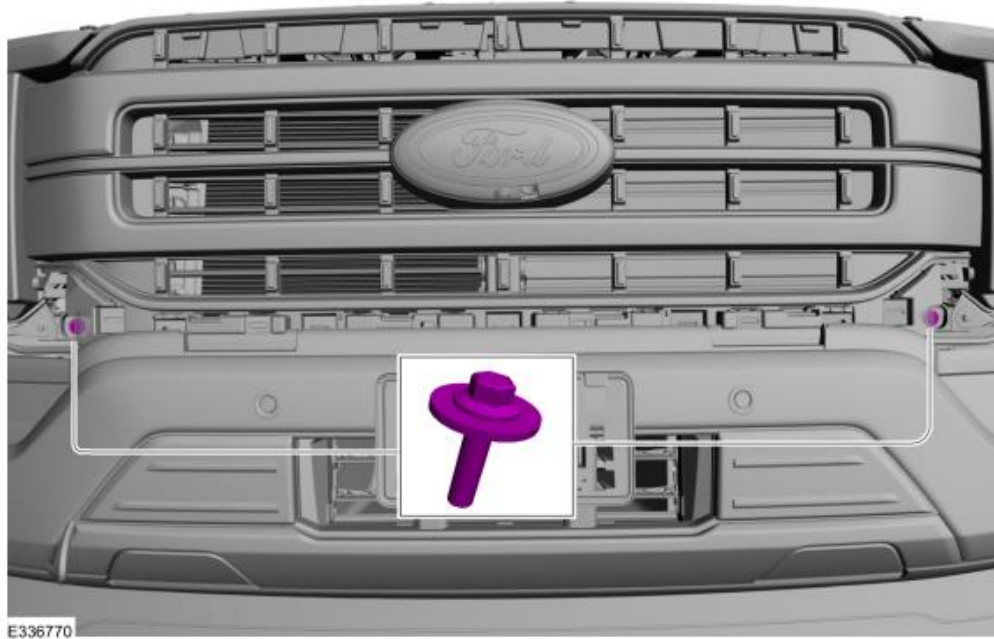


E336769

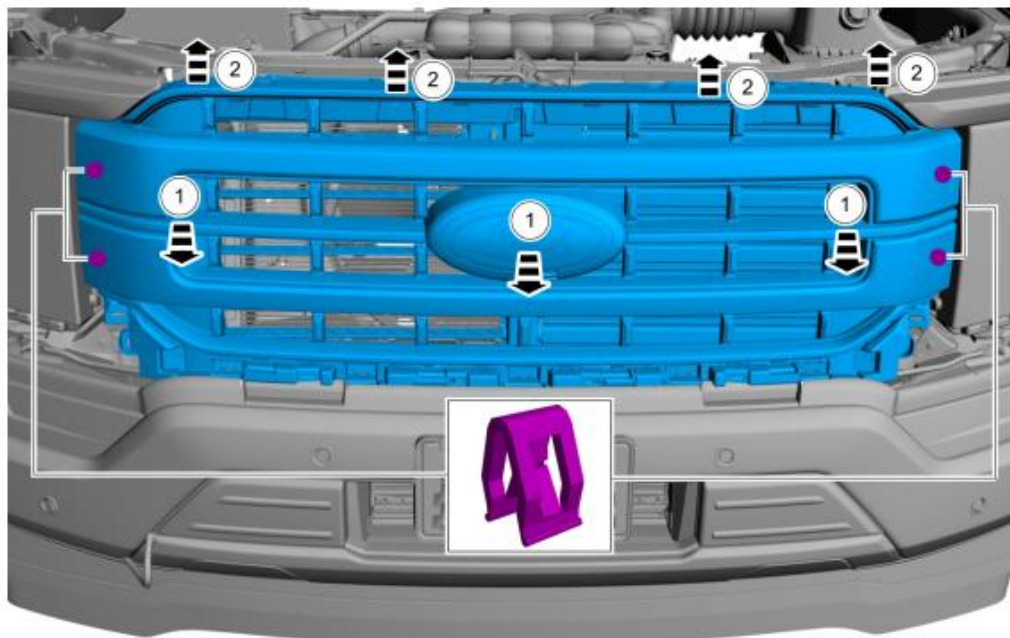
Ford Factory Shop Manual purchase options [www.motorcraftservice.com](http://www.motorcraftservice.com)

NO PART OF THIS DOCUMENT MAY BE REPRODUCED WITHOUT PRIOR AGREEMENT AND WRITTEN PERMISSION OF FORD PERFORMANCE PARTS © Ford Motor Company 2020

6. Remove the active grille shutter mounting bolts. *Torque:* 159 lb.in (18 Nm)



7. Remove the pin-type retainer. Pull up to disengage the locating pins along the top of the grille. Pull forward on center of the grille to remove.

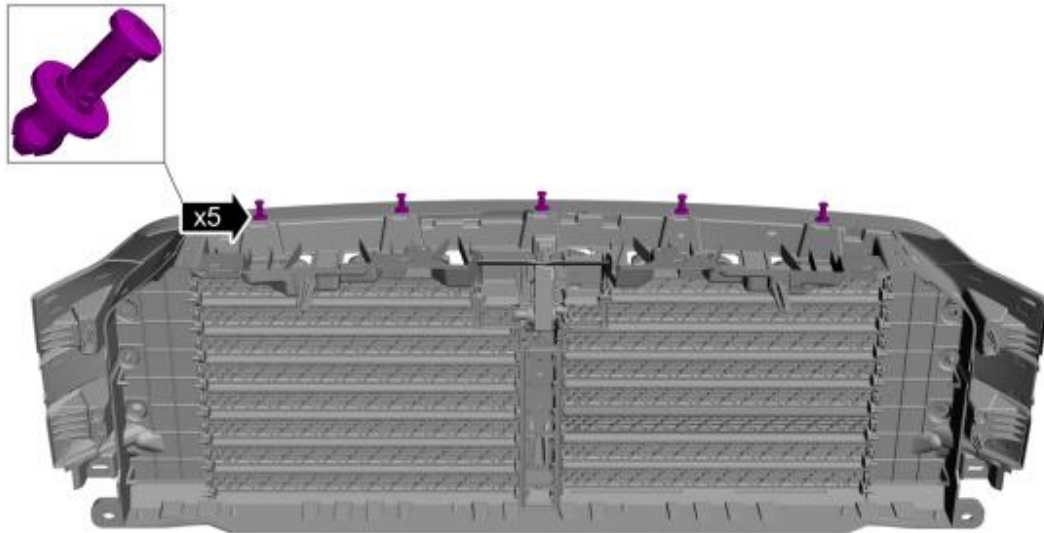


Ford Factory Shop Manual purchase options [www.motorcraftservice.com](http://www.motorcraftservice.com)

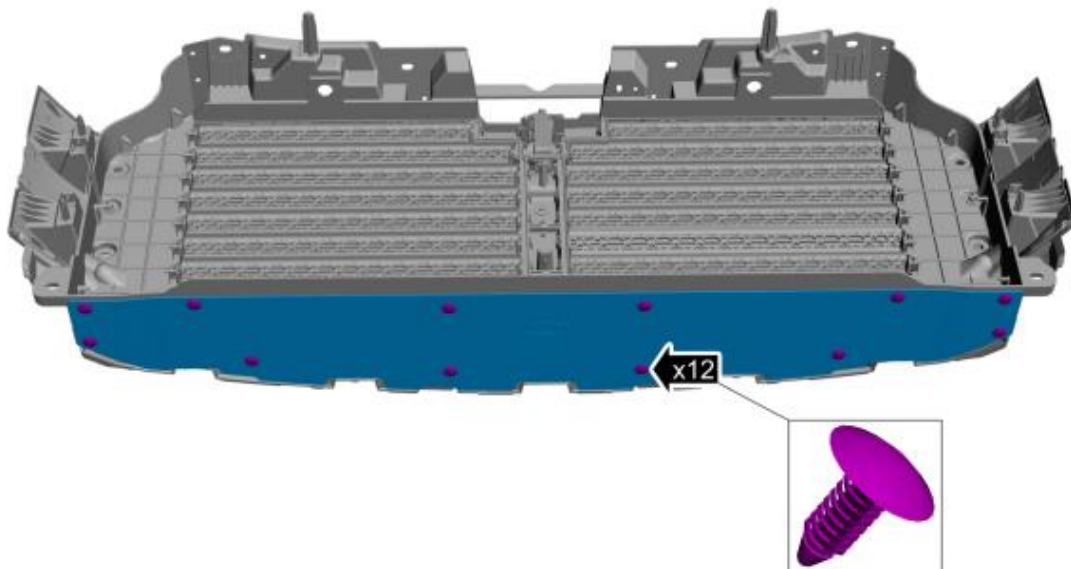
NO PART OF THIS DOCUMENT MAY BE REPRODUCED WITHOUT PRIOR AGREEMENT AND WRITTEN PERMISSION OF  
FORD PERFORMANCE PARTS © Ford Motor Company 2020

### Upper Active Grille Shutter Removal

1. Remove the push pins.



2. Remove the retainers and the deflector.

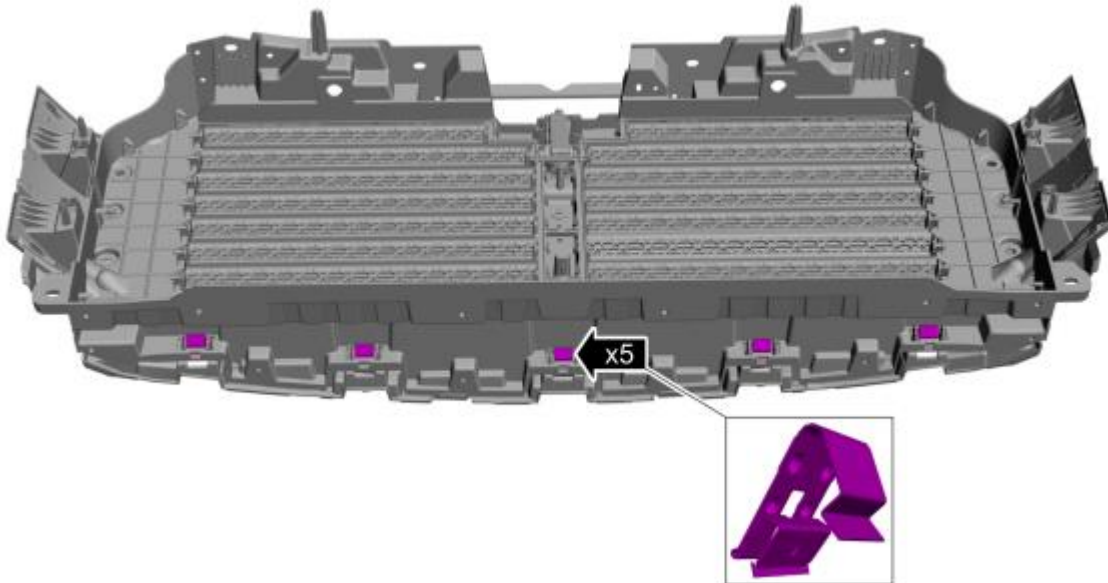


E337657

Ford Factory Shop Manual purchase options [www.motorcraftservice.com](http://www.motorcraftservice.com)

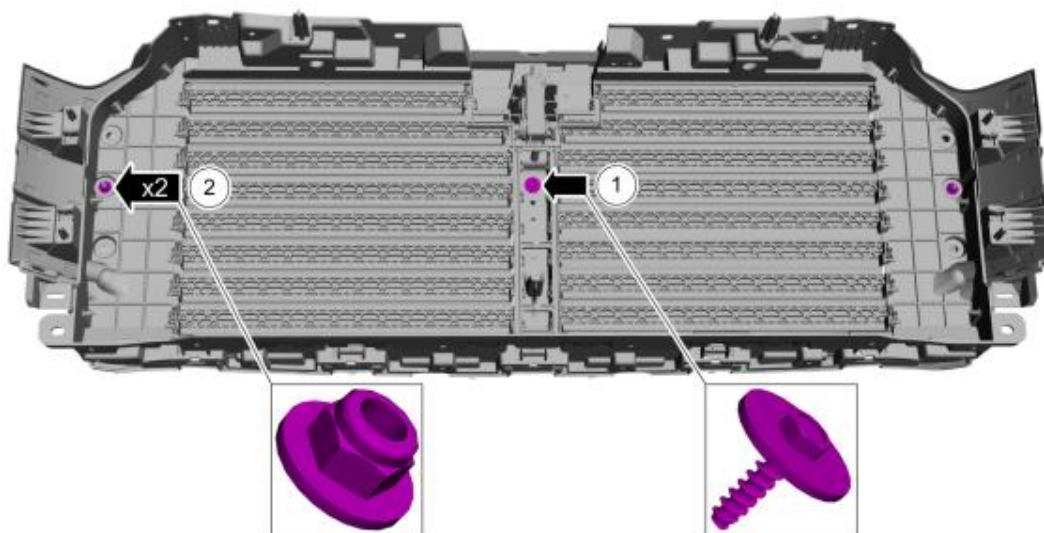
NO PART OF THIS DOCUMENT MAY BE REPRODUCED WITHOUT PRIOR AGREEMENT AND WRITTEN PERMISSION OF FORD PERFORMANCE PARTS © Ford Motor Company 2020

3. Remove the clips.



E337658

4. Remove the screw and the nuts. *Torque:* 1: 22 lb.in (2.5 Nm) 2: 44 lb.in (5 Nm)



E337659

Ford Factory Shop Manual purchase options [www.motorcraftservice.com](http://www.motorcraftservice.com)



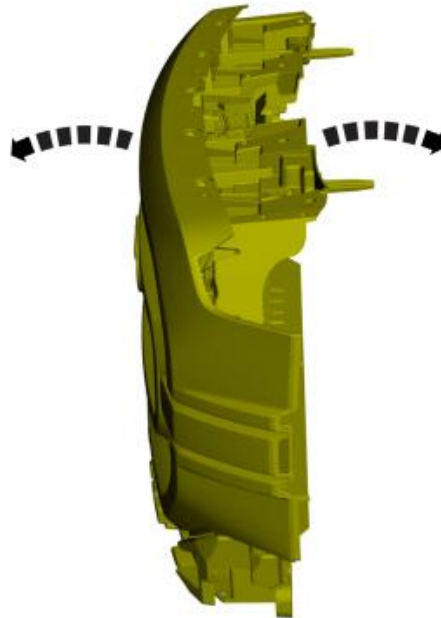


FORD PERFORMANCE

M-1447-F15BC  
2021-2022MY F-150  
Black Ovals With Camera Provision Kit

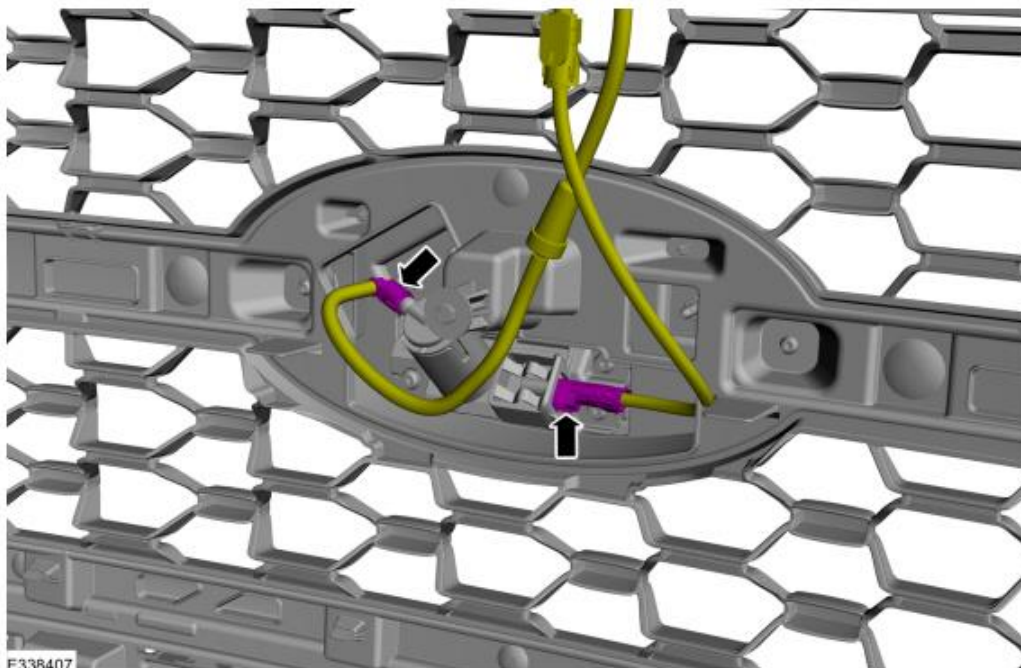
NO PART OF THIS DOCUMENT MAY BE REPRODUCED WITHOUT PRIOR AGREEMENT AND WRITTEN PERMISSION OF FORD PERFORMANCE PARTS © Ford Motor Company 2020

5. Separate the active grille shutter from the radiator grille.



E337660

6. **NOTE:** *If equipped with front camera.* Disconnect the electrical connector and the washer hose.

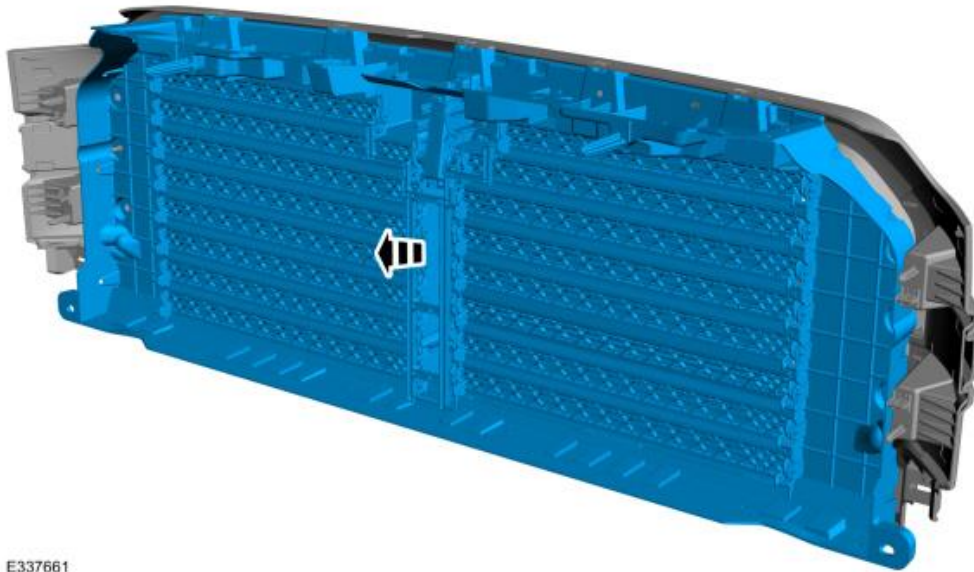


E338407

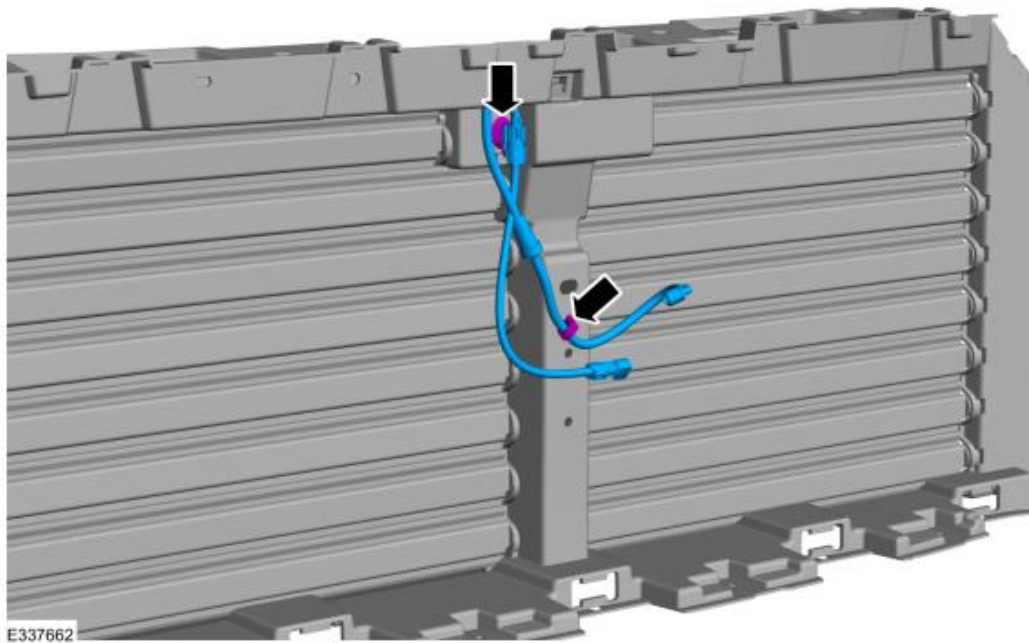
Ford Factory Shop Manual purchase options [www.motorcraftservice.com](http://www.motorcraftservice.com)

NO PART OF THIS DOCUMENT MAY BE REPRODUCED WITHOUT PRIOR AGREEMENT AND WRITTEN PERMISSION OF FORD PERFORMANCE PARTS © Ford Motor Company 2020

7. Remove the upper active grille shutter.



8. If equipped, remove the pin-type retainers and the wire harness.



Ford Factory Shop Manual purchase options [www.motorcraftservice.com](http://www.motorcraftservice.com)

NO PART OF THIS DOCUMENT MAY BE REPRODUCED WITHOUT PRIOR AGREEMENT AND WRITTEN PERMISSION OF FORD PERFORMANCE PARTS © Ford Motor Company 2020

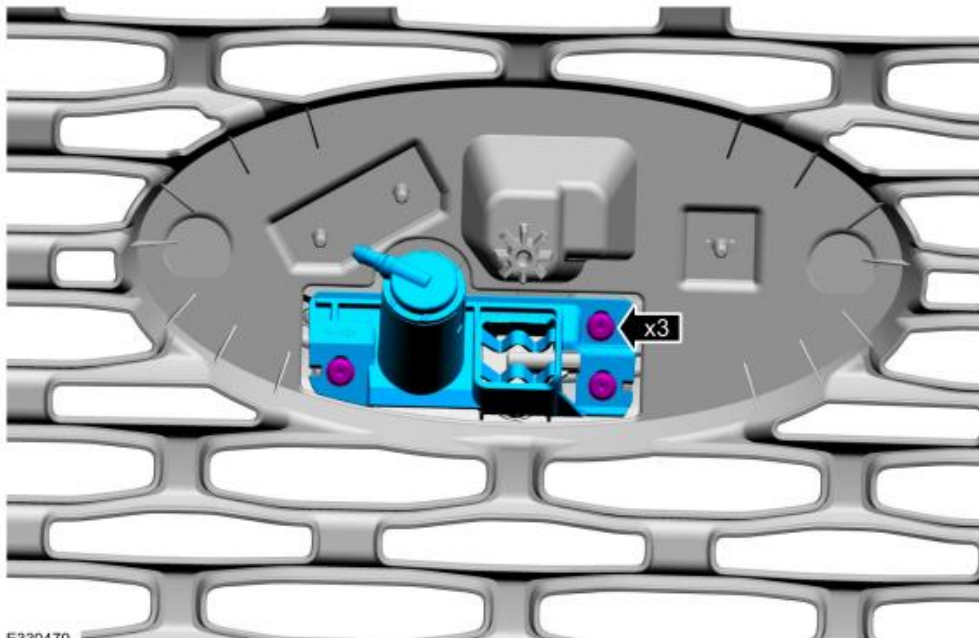
### Grille Oval Removal

**NOTE:** Removal steps in this procedure may contain installation details.

1. Extend the front camera washer nozzle door, release the tabs and remove the washer nozzle door.



2. Remove the screws and the front camera washer and bracket as an assembly.

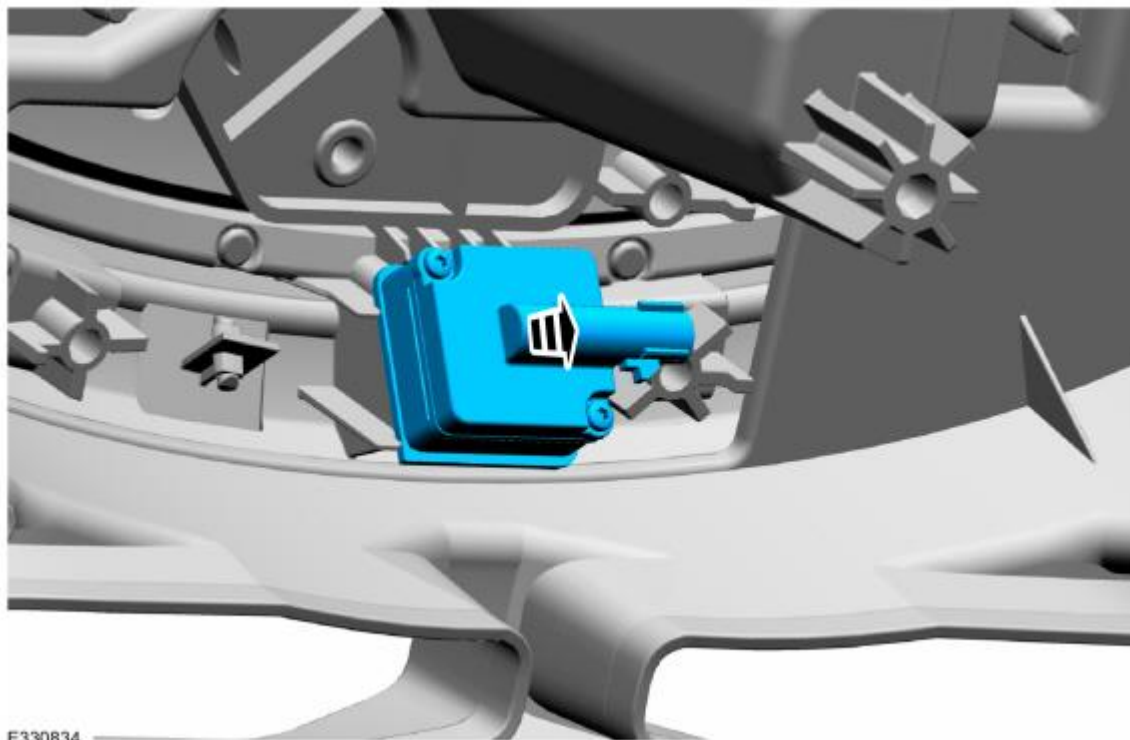


E330479

Ford Factory Shop Manual purchase options [www.motorcraftservice.com](http://www.motorcraftservice.com)

NO PART OF THIS DOCUMENT MAY BE REPRODUCED WITHOUT PRIOR AGREEMENT AND WRITTEN PERMISSION OF FORD PERFORMANCE PARTS © Ford Motor Company 2020

3. Remove the front parking aid camera.



### Installation

1. To install, reverse the removal procedure.
2. If equipped with front parking aid camera, align the cameras (Continued on next page).

Ford Factory Shop Manual purchase options [www.motorcraftservice.com](http://www.motorcraftservice.com)

NO PART OF THIS DOCUMENT MAY BE REPRODUCED WITHOUT PRIOR AGREEMENT AND WRITTEN PERMISSION OF FORD PERFORMANCE PARTS © Ford Motor Company 2020

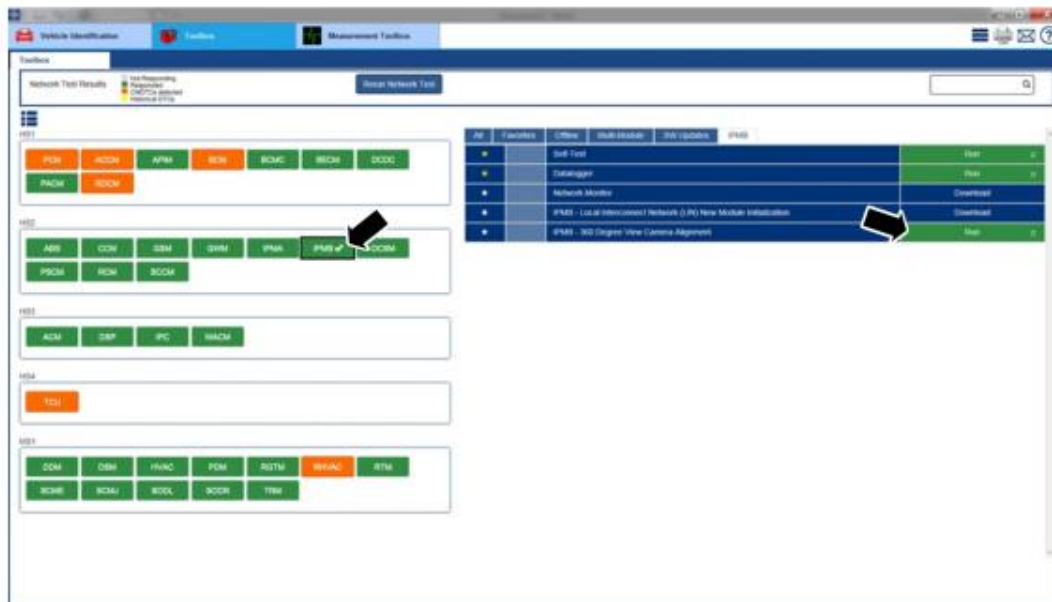
### Camera Alignment

**NOTE:** On vehicles equipped with Trailer Reverse Guidance (TRG) this procedure also perform the Trailer Reverse Guidance camera alignment.

**NOTE:** Damage to or misalignment of any of the cameras or the body panels they are mounted to can cause the camera alignment to be unsuccessful.

1. Prior to beginning this procedure, perform the following:
  1. Verify the exterior rear view mirrors to make sure they are in normal driving position.
  2. Verify suspension is in a normal driving mode if equipped with adjustable suspension.
  3. Verify that all doors, deck lid, liftgate and tailgate are closed.
  4. Using a scan tool retrieve and if necessary repair any parking aid camera Diagnostic Trouble Codes (DTCs).
  5. Clean the camera lenses. Inspect all cameras (except center high-mounted stoplamp camera and trailer camera, if equipped), the associated mounting hardware and body components for damage.
  
2. Environmental conditions that may affect the procedure:
  1. Perform procedure in day light.
  2. Perform procedure when visibility is clear with high contrast scenes that are not disturbed by strong rainfall or snow.
  3. Recommend driving on normal asphalt or concrete road surface.
  4. Avoid road surfaces that have a smooth and uniform appearance (e.g. snow blanketed roadway).
  
3. Using a scan tool carry out the 360 Degree view camera alignment procedure.

**NOTE:** The vehicle needs to be driven for approximately 5 to 10 minutes or possibly longer depending on the environmental conditions.



Ford Factory Shop Manual purchase options [www.motorcraftservice.com](http://www.motorcraftservice.com)



**FORD PERFORMANCE**

M-1447-F15BC  
2021-2022MY F-150  
Black Ovals With Camera Provision Kit

NO PART OF THIS DOCUMENT MAY BE REPRODUCED WITHOUT PRIOR AGREEMENT AND WRITTEN PERMISSION OF  
FORD PERFORMANCE PARTS © Ford Motor Company 2020

4. Follow the on-screen instructions.
5. After the procedure is successful, verify the quality of the 360 degree view camera on the display. If necessary, repeat the procedure to achieve the best 360 view image results.
  1. Drive to a parking lot and stop vehicle over straight parking designation lines.
  2. Activate the 360 degree view camera system.
  3. Drive slowly over the parking designation lines while watching the corners of the 360 image for stitching quality. Lines should look continuous.

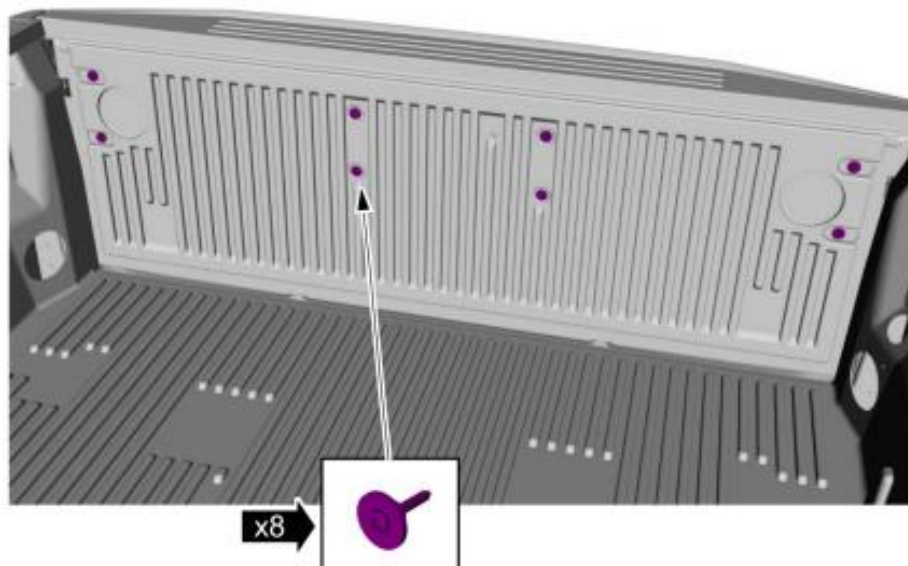
Ford Factory Shop Manual purchase options [www.motorcraftservice.com](http://www.motorcraftservice.com)

NO PART OF THIS DOCUMENT MAY BE REPRODUCED WITHOUT PRIOR AGREEMENT AND WRITTEN PERMISSION OF FORD PERFORMANCE PARTS © Ford Motor Company 2020

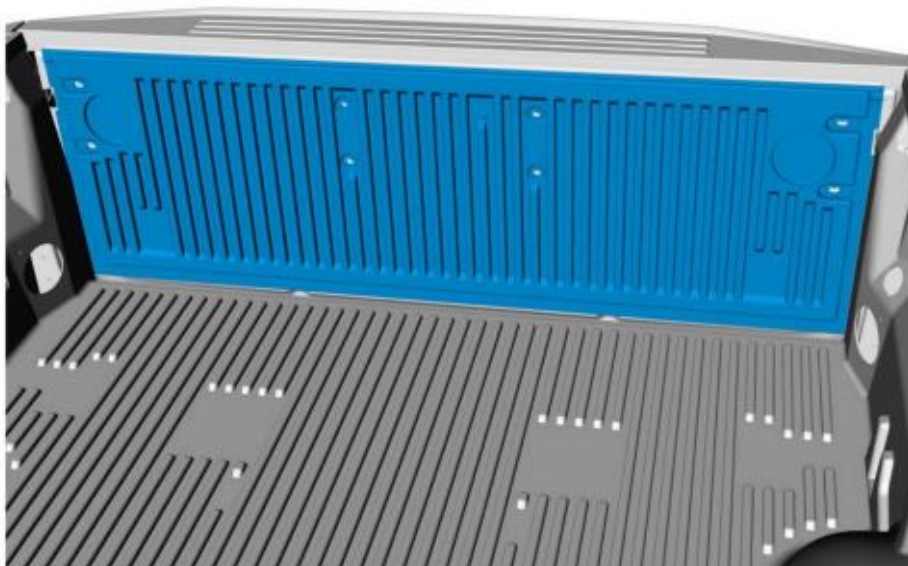
### Removal – Tailgate Oval

**NOTE:** Removal steps in this procedure may contain installation details.

1. Remove the screws from the tailgate liner. *Torque:* 28 lb.in (3.2 Nm)



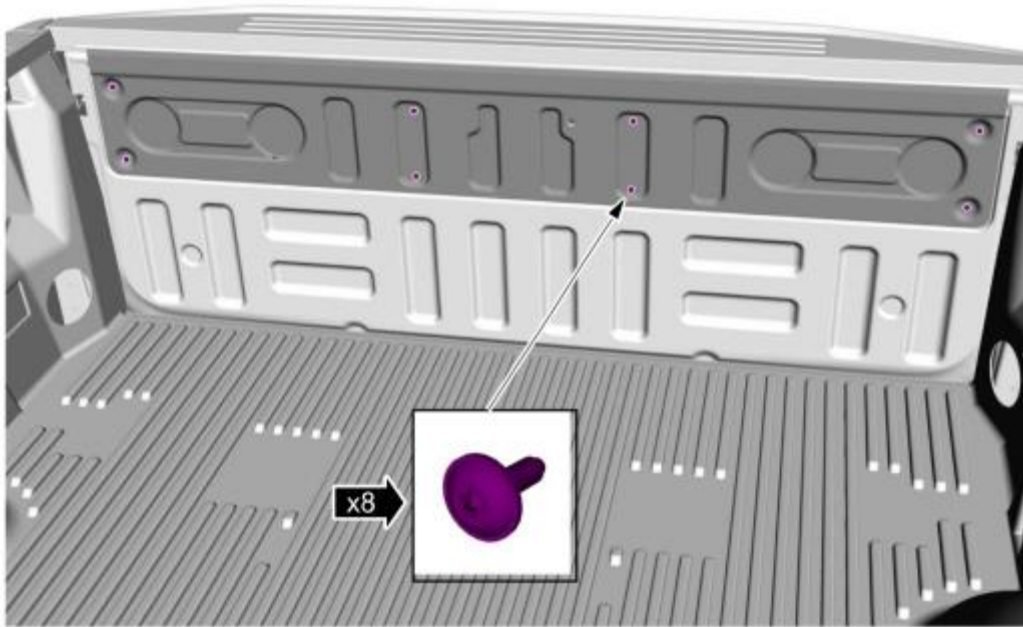
2. Remove the tailgate liner.



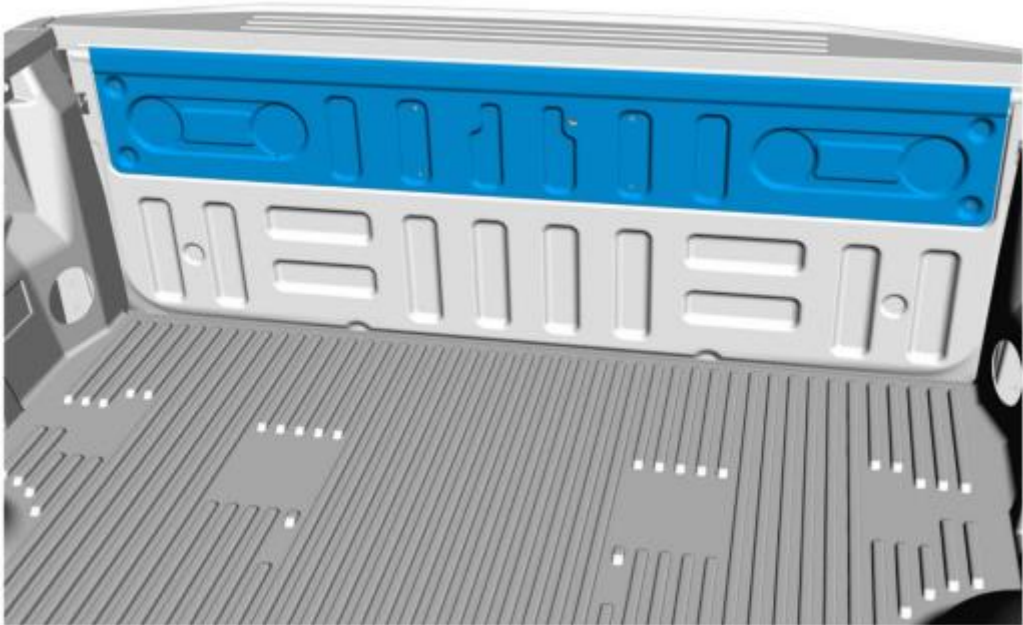
Ford Factory Shop Manual purchase options [www.motorcraftservice.com](http://www.motorcraftservice.com)

NO PART OF THIS DOCUMENT MAY BE REPRODUCED WITHOUT PRIOR AGREEMENT AND WRITTEN PERMISSION OF FORD PERFORMANCE PARTS © Ford Motor Company 2020

3. Remove the screws from the inner panel. *Torque: 28 lb.in (3.2 Nm)*



4. Remove the inner panel.

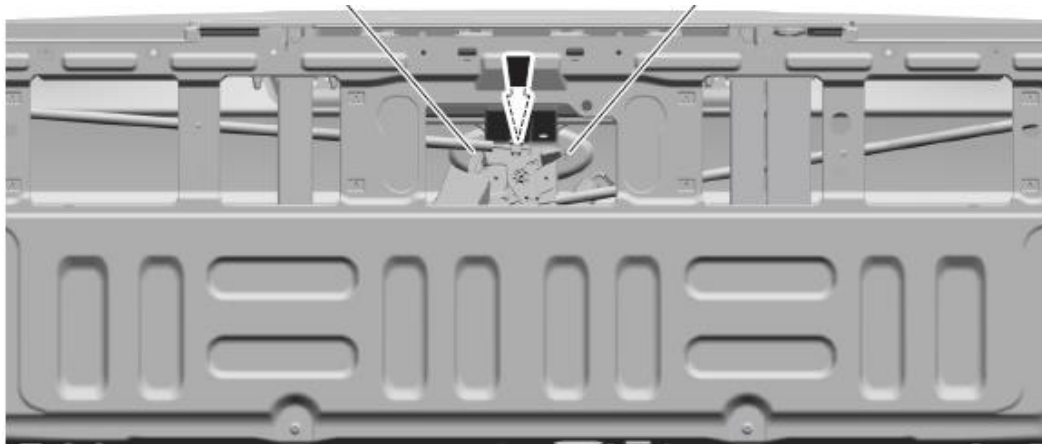


Ford Factory Shop Manual purchase options [www.motorcraftservice.com](http://www.motorcraftservice.com)



NO PART OF THIS DOCUMENT MAY BE REPRODUCED WITHOUT PRIOR AGREEMENT AND WRITTEN PERMISSION OF FORD PERFORMANCE PARTS © Ford Motor Company 2020

5. Use pliers to undo clips on the rear of the oval and remove from the tailgate.

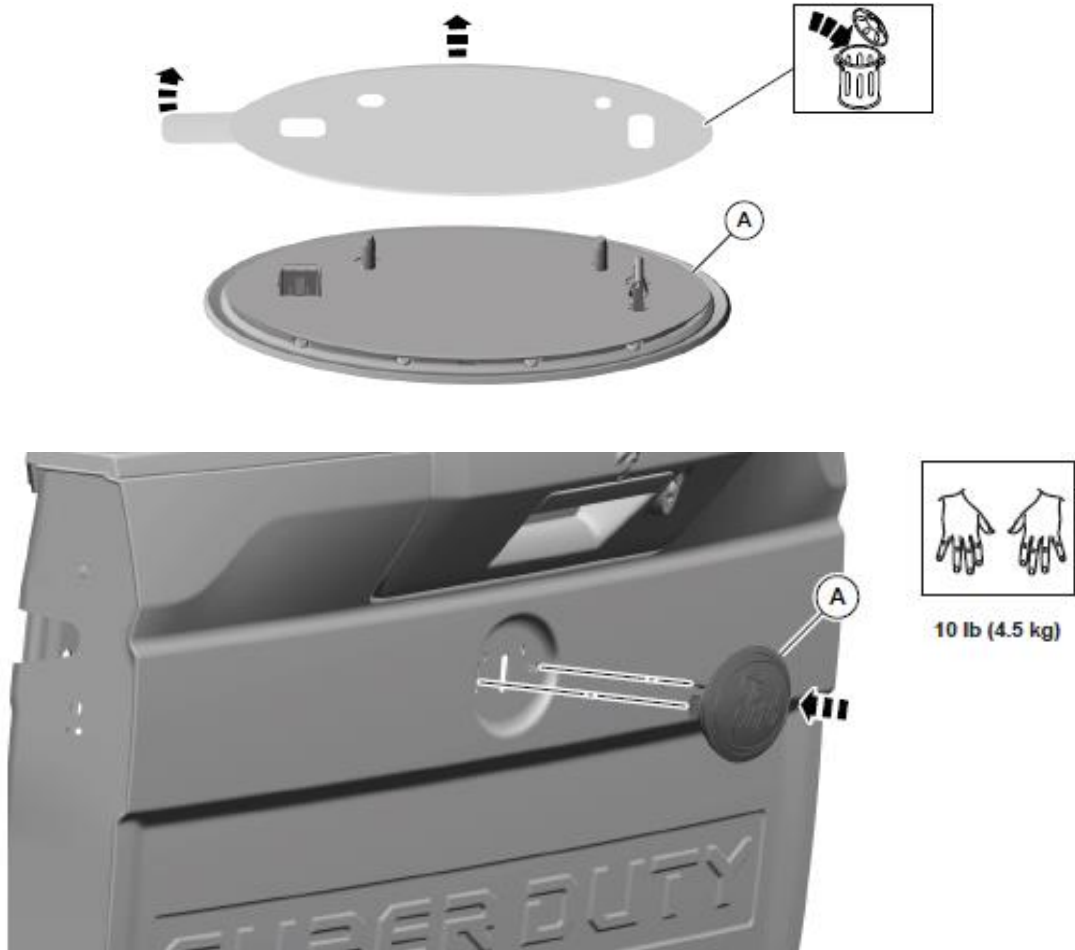


Ford Factory Shop Manual purchase options [www.motorcraftservice.com](http://www.motorcraftservice.com)

NO PART OF THIS DOCUMENT MAY BE REPRODUCED WITHOUT PRIOR AGREEMENT AND WRITTEN PERMISSION OF FORD PERFORMANCE PARTS © Ford Motor Company 2020

### Installation – Tailgate Oval

1. To install the new oval, remove the adhesive backing and firmly press onto the tailgate.



Ford Factory Shop Manual purchase options [www.motorcraftservice.com](http://www.motorcraftservice.com)