



**FORD PERFORMANCE**

**M-1447-SDB  
2020-2022MY Super Duty  
Black Ovals Without Camera Provision Kit**

NO PART OF THIS DOCUMENT MAY BE REPRODUCED WITHOUT PRIOR AGREEMENT AND WRITTEN PERMISSION OF  
FORD PERFORMANCE PARTS © Ford Motor Company 2020

**PRIOR TO INSTALLATION READ THESE INSTRUCTION COMPETELY**  
**For questions, Call the FORD PERFORMANCE Techline 1-800-367-3788**

Please visit <https://www.performanceparts.ford.com> for warranty information



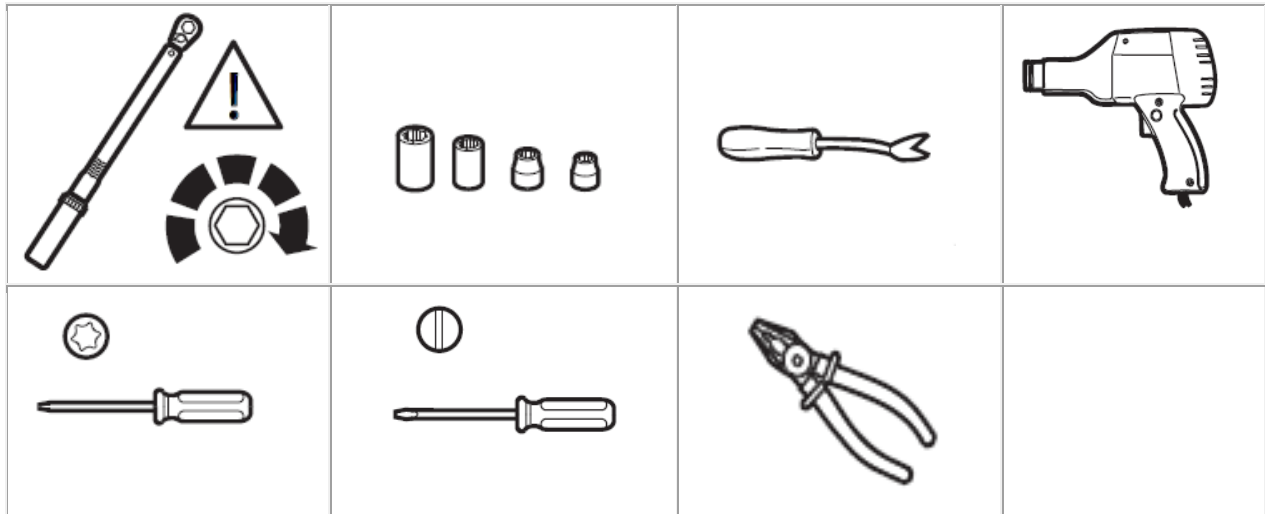
Ford Factory Shop Manual purchase options [www.motorcraftservice.com](http://www.motorcraftservice.com)

NO PART OF THIS DOCUMENT MAY BE REPRODUCED WITHOUT PRIOR AGREEMENT AND WRITTEN PERMISSION OF FORD PERFORMANCE PARTS © Ford Motor Company 2020

**Kit contents:**

<b>Description</b>	<b>Quantity</b>
FPP Super Duty Black Oval (Grille)	1
FPP Super Duty Black Oval (Tailgate)	1

**Special Tool(s) / General Equipment**



Ford Factory Shop Manual purchase options [www.motorcraftservice.com](http://www.motorcraftservice.com)

NO PART OF THIS DOCUMENT MAY BE REPRODUCED WITHOUT PRIOR AGREEMENT AND WRITTEN PERMISSION OF FORD PERFORMANCE PARTS © Ford Motor Company 2020

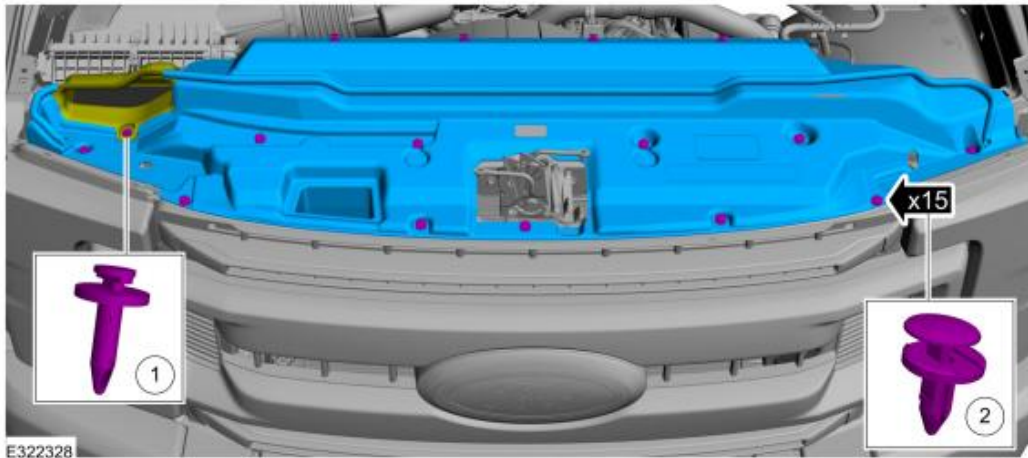
### Removal – Grille Oval

**NOTE:** Removal steps in this procedure may contain installation details.

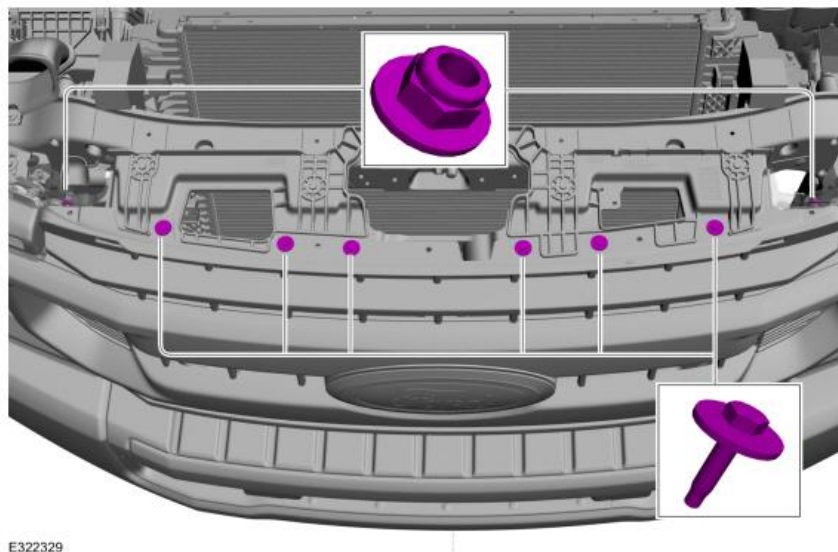
**NOTE:** Gas engine shown, diesel engine similar.

**!** Extreme cold weather will cause breakage. A hair dryer can be used to localize warmth before flexing release tabs.

1. Remove the push pin and position the air intake duct aside. Remove the push pins and the upper radiator sight shield.



2. Remove the retainers along the top of the panel. *Torque:* 36 lb.in (4.1 Nm)



Ford Factory Shop Manual purchase options [www.motorcraftservice.com](http://www.motorcraftservice.com)

NO PART OF THIS DOCUMENT MAY BE REPRODUCED WITHOUT PRIOR AGREEMENT AND WRITTEN PERMISSION OF FORD PERFORMANCE PARTS © Ford Motor Company 2020

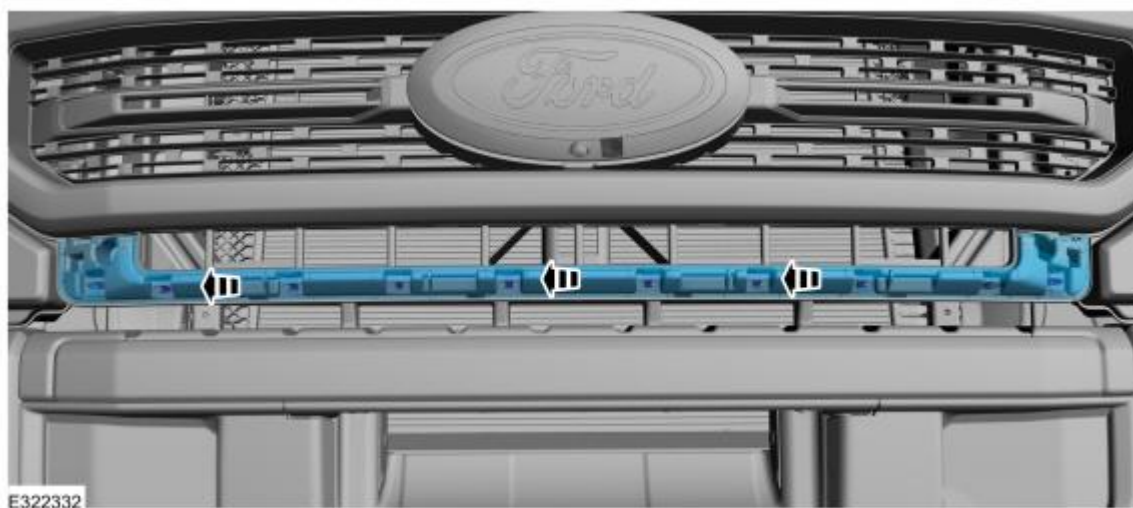
### Radiator grille moulding Type 1

3. On both sides, remove the radiator grille mouldings.



### Radiator grille moulding Type 2

4. Remove the radiator grille moulding.



Ford Factory Shop Manual purchase options [www.motorcraftservice.com](http://www.motorcraftservice.com)



NO PART OF THIS DOCUMENT MAY BE REPRODUCED WITHOUT PRIOR AGREEMENT AND WRITTEN PERMISSION OF FORD PERFORMANCE PARTS © Ford Motor Company 2020

All vehicles

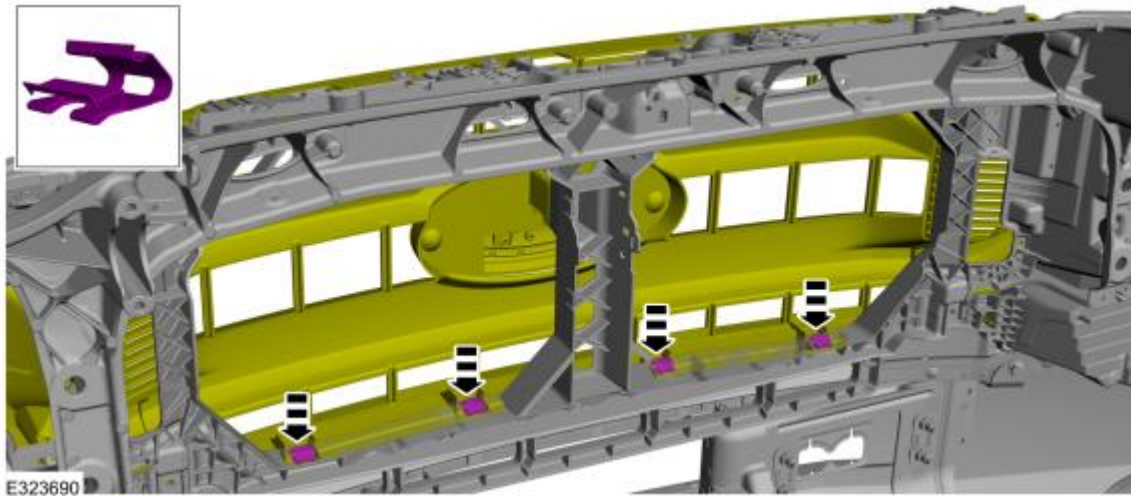
5. Remove the bolts. *Torque*: 36 lb.in (4.1 Nm). If equipped, remove the bolts located behind the grille in the upper corners.



Ford Factory Shop Manual purchase options [www.motorcraftservice.com](http://www.motorcraftservice.com)

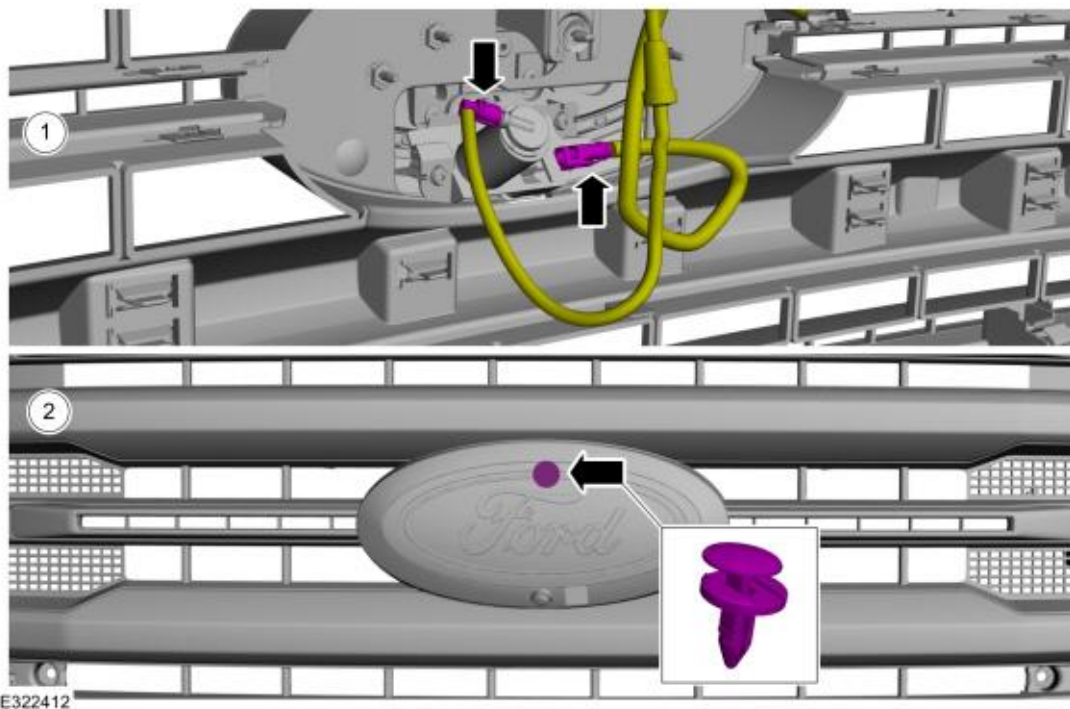
NO PART OF THIS DOCUMENT MAY BE REPRODUCED WITHOUT PRIOR AGREEMENT AND WRITTEN PERMISSION OF FORD PERFORMANCE PARTS © Ford Motor Company 2020

6. Press down on top to release the clips. Use the General Equipment: Flat Headed Screw Driver



7. **Vehicles equipped with front camera and washer only.**

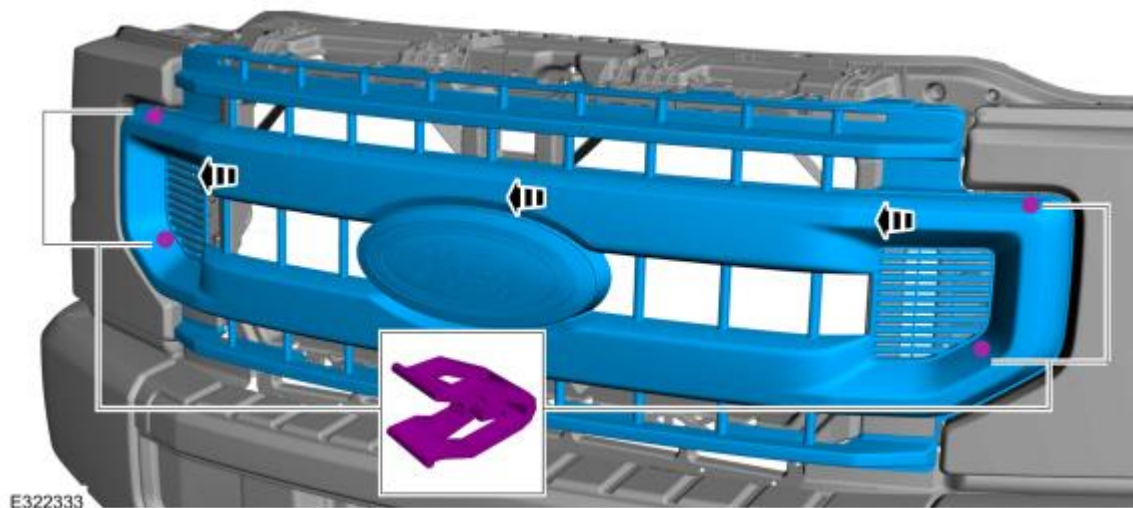
1. Disconnect the camera washer hose and the camera electrical connector.
2. Pull out to disengage the locating pins along the middle of the grille.



Ford Factory Shop Manual purchase options [www.motorcraftservice.com](http://www.motorcraftservice.com)

NO PART OF THIS DOCUMENT MAY BE REPRODUCED WITHOUT PRIOR AGREEMENT AND WRITTEN PERMISSION OF FORD PERFORMANCE PARTS © Ford Motor Company 2020

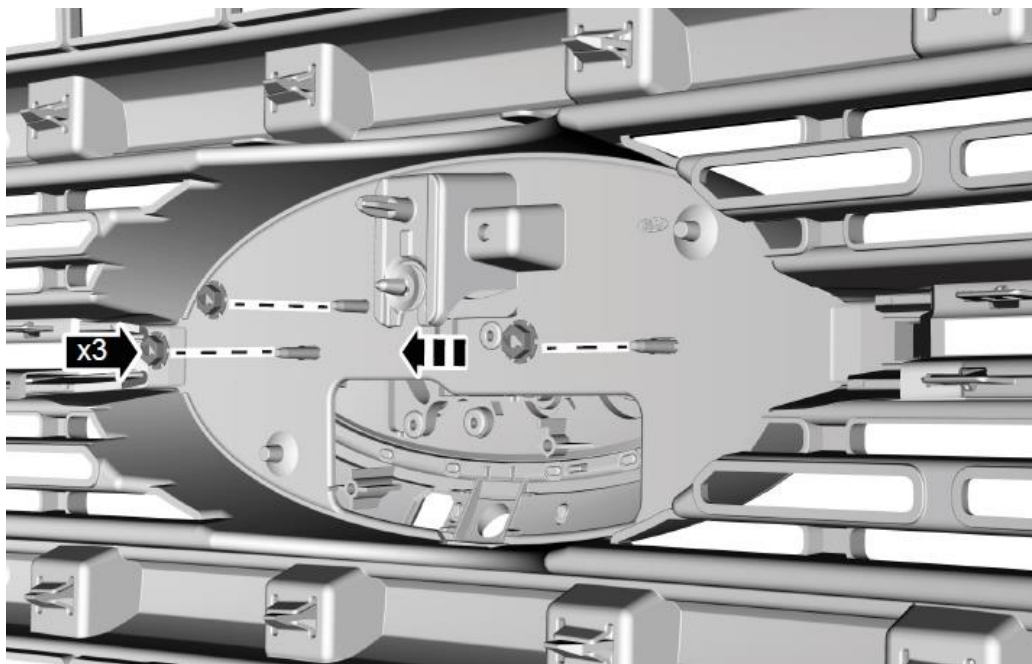
8. Pull out to disengage the locating pins and remove the radiator grille.



### Grille Oval Removal

**NOTE:** Removal steps in this procedure may contain installation details.

1. Remove the bolts and remove the oval.



Ford Factory Shop Manual purchase options [www.motorcraftservice.com](http://www.motorcraftservice.com)



**FORD PERFORMANCE**

**M-1447-SDB**  
**2020-2022MY Super Duty**  
**Black Ovals Without Camera Provision Kit**

NO PART OF THIS DOCUMENT MAY BE REPRODUCED WITHOUT PRIOR AGREEMENT AND WRITTEN PERMISSION OF  
FORD PERFORMANCE PARTS © Ford Motor Company 2020

**Installation**

1. To install, reverse the removal procedure.

Ford Factory Shop Manual purchase options [www.motorcraftservice.com](http://www.motorcraftservice.com)

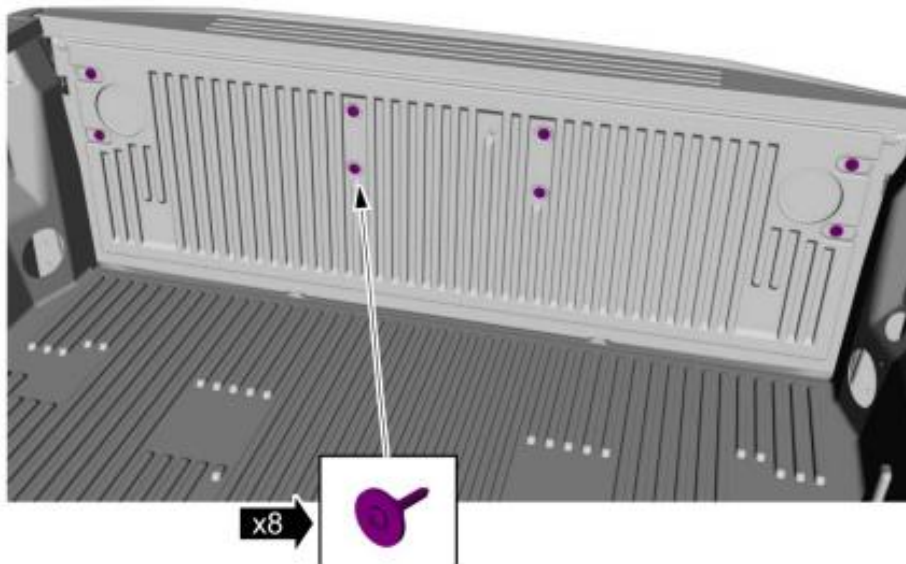


NO PART OF THIS DOCUMENT MAY BE REPRODUCED WITHOUT PRIOR AGREEMENT AND WRITTEN PERMISSION OF FORD PERFORMANCE PARTS © Ford Motor Company 2020

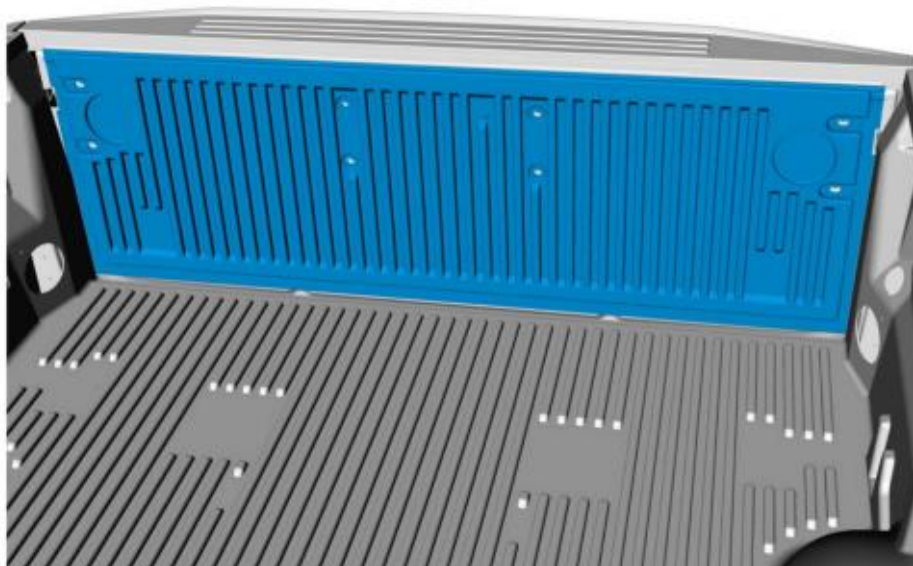
### Removal – Tailgate Oval

**NOTE:** Removal steps in this procedure may contain installation details.

1. Remove the screws from the tailgate liner. *Torque: 28 lb.in (3.2 Nm)*



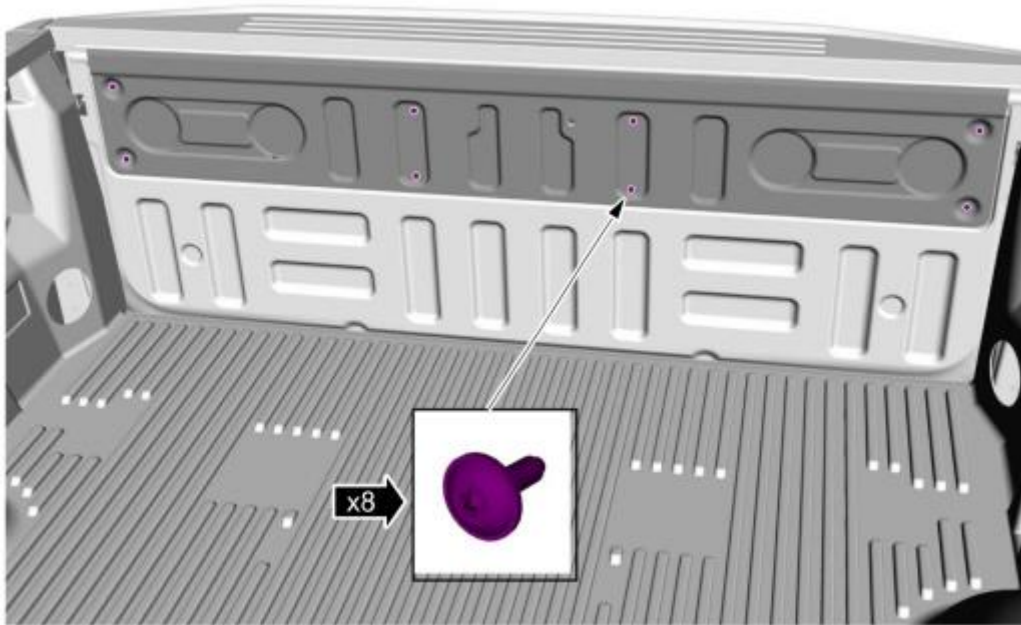
2. Remove the tailgate liner.



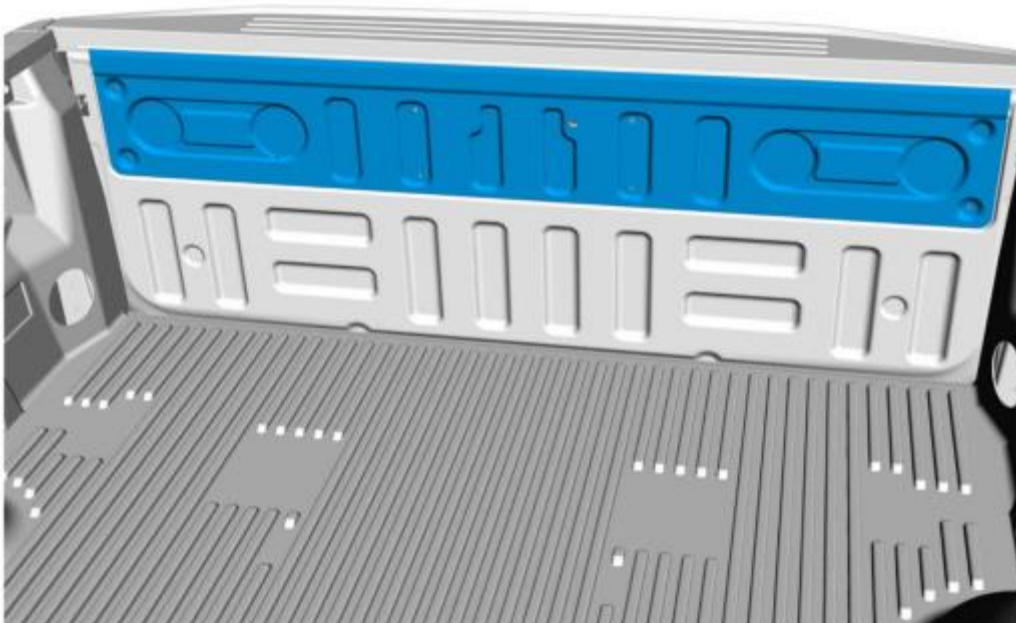
Ford Factory Shop Manual purchase options [www.motorcraftservice.com](http://www.motorcraftservice.com)

NO PART OF THIS DOCUMENT MAY BE REPRODUCED WITHOUT PRIOR AGREEMENT AND WRITTEN PERMISSION OF FORD PERFORMANCE PARTS © Ford Motor Company 2020

3. Remove the screws from the inner panel. *Torque: 28 lb.in (3.2 Nm)*



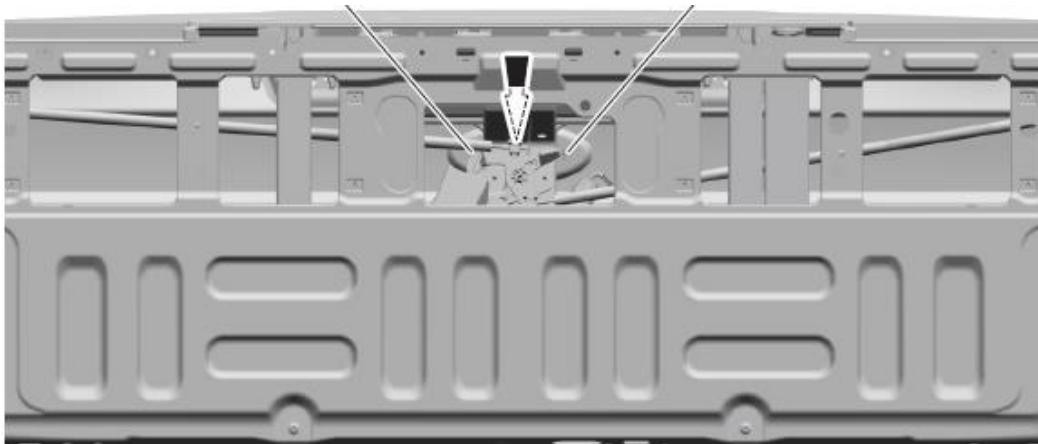
4. Remove the inner panel.



Ford Factory Shop Manual purchase options [www.motorcraftservice.com](http://www.motorcraftservice.com)

NO PART OF THIS DOCUMENT MAY BE REPRODUCED WITHOUT PRIOR AGREEMENT AND WRITTEN PERMISSION OF FORD PERFORMANCE PARTS © Ford Motor Company 2020

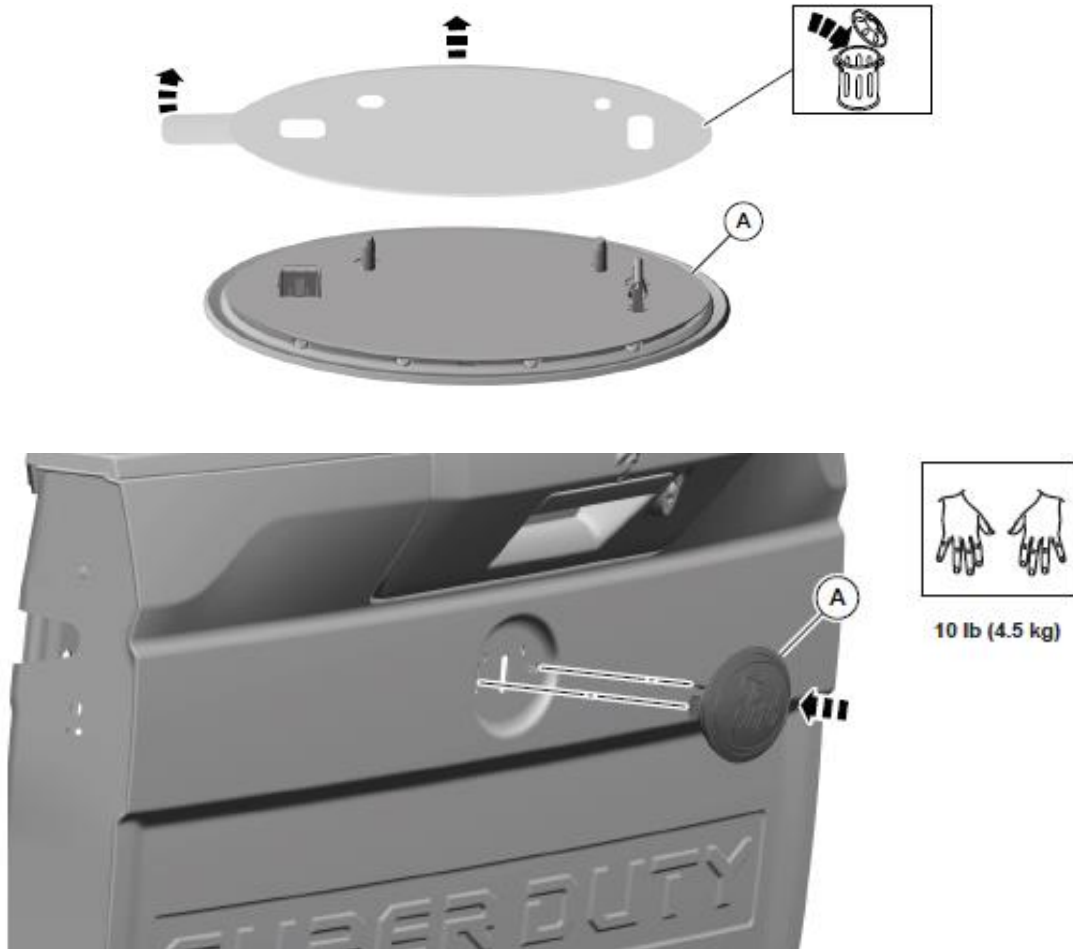
5. Use pliers to undo clips on the rear of the oval and remove from the tailgate.



Ford Factory Shop Manual purchase options [www.motorcraftservice.com](http://www.motorcraftservice.com)

NO PART OF THIS DOCUMENT MAY BE REPRODUCED WITHOUT PRIOR AGREEMENT AND WRITTEN PERMISSION OF FORD PERFORMANCE PARTS © Ford Motor Company 2020

- To install the new oval, remove the adhesive backing and firmly press onto the tailgate.



### Installation

- To install, reverse the removal procedure.

Ford Factory Shop Manual purchase options [www.motorcraftservice.com](http://www.motorcraftservice.com)