



M-15200-RDL
2021 Bronco Raptor
Off-Road Driving Lamp Upgrade Kit

NO PART OF THIS DOCUMENT MAY BE REPRODUCED WITHOUT PRIOR AGREEMENT AND WRITTEN PERMISSION OF FORD PERFORMANCE PARTS

PRIOR TO INSTALLATION READ THESE INSTRUCTION COMPLETELY
For questions, Call the FORD PERFORMANCE Techline 1-800-367-3788

Please visit <https://www.performanceparts.ford.com> for warranty information



Kit Contents	Quantity
Lamp Assembly with Aim Screw	2
Lens Cover	2

Ford Factory Shop Manual purchase options www.motorcraftservice.com



FORD PERFORMANCE

M-15200-RDL
2021 Bronco Raptor
Off-Road Driving Lamp Upgrade Kit

NO PART OF THIS DOCUMENT MAY BE REPRODUCED WITHOUT PRIOR AGREEMENT AND WRITTEN PERMISSION OF FORD PERFORMANCE PARTS

INSTALLATION PROCEDURE

NOTE: Left-hand side shown, right-side similar.

1. On the left hand side turn the steering wheel all the way to the right to access the fog light assembly. See Figure 1.

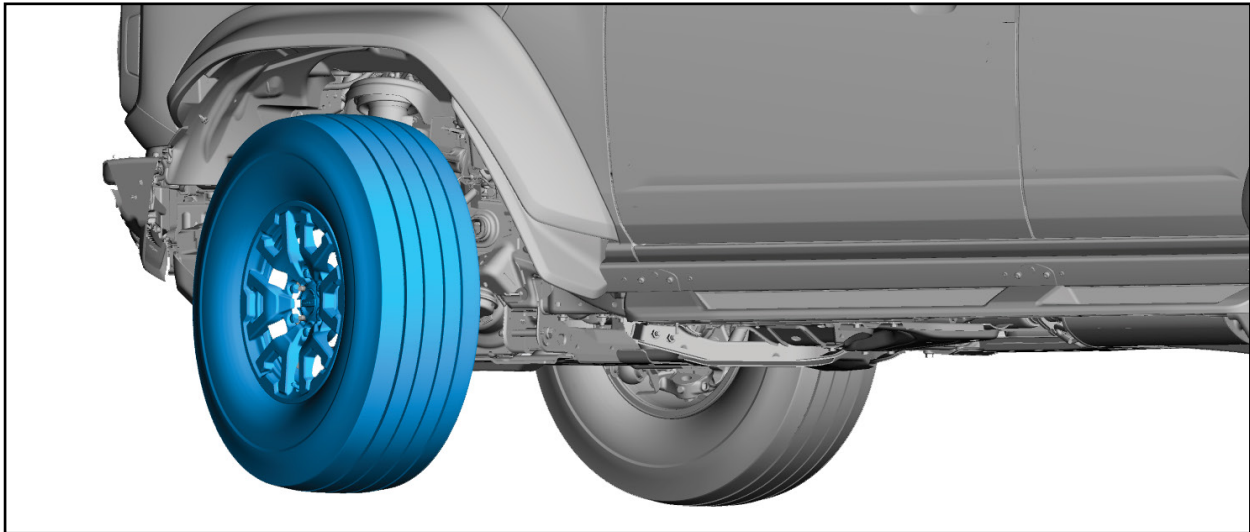


FIGURE 1

2. Remove the 4 push pins securing the fog lamp assembly cover, and remove cover. Do not discard bolts. See Figure 2.

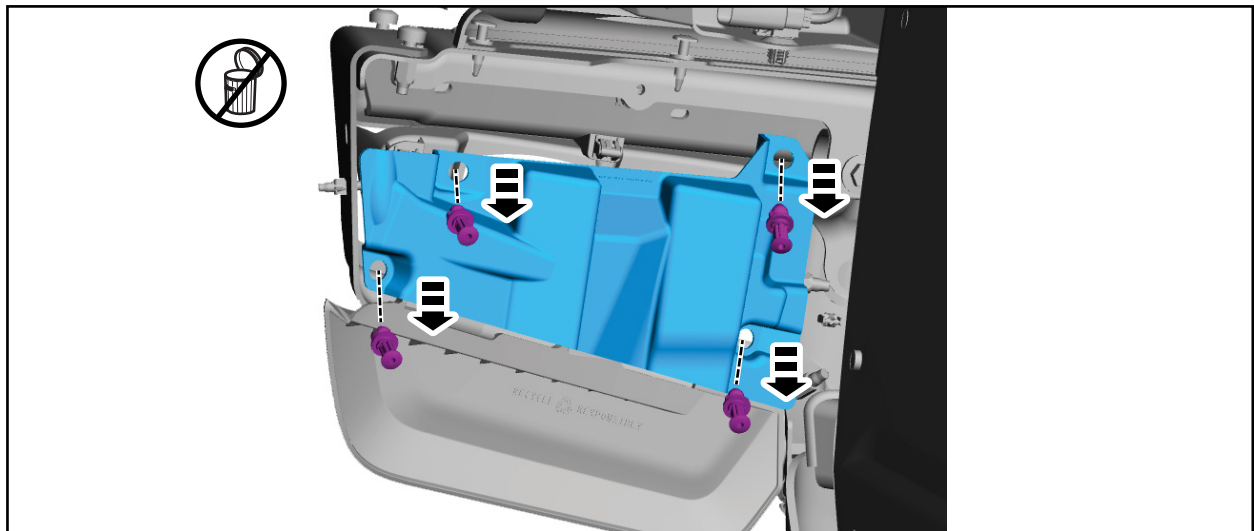


FIGURE 2

Ford Factory Shop Manual purchase options www.motorcraftservice.com



FORD PERFORMANCE

M-15200-RDL
2021 Bronco Raptor
Off-Road Driving Lamp Upgrade Kit

NO PART OF THIS DOCUMENT MAY BE REPRODUCED WITHOUT PRIOR AGREEMENT AND WRITTEN PERMISSION OF FORD PERFORMANCE PARTS

3. Disconnect the fog light assembly from the wire harness. See Figure 3.

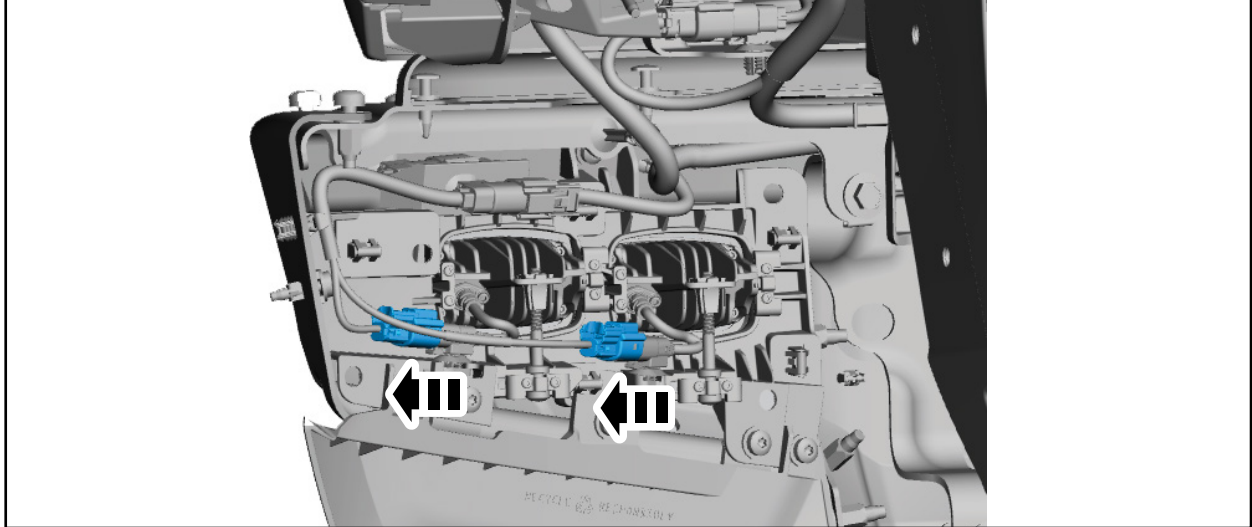


FIGURE 3

4. Remove the 2 screws that secure the fog-light assembly and lamp bracket to the vehicle. Do not discard screws. Remove the fog-light assembly and bracket. See Figure 4.

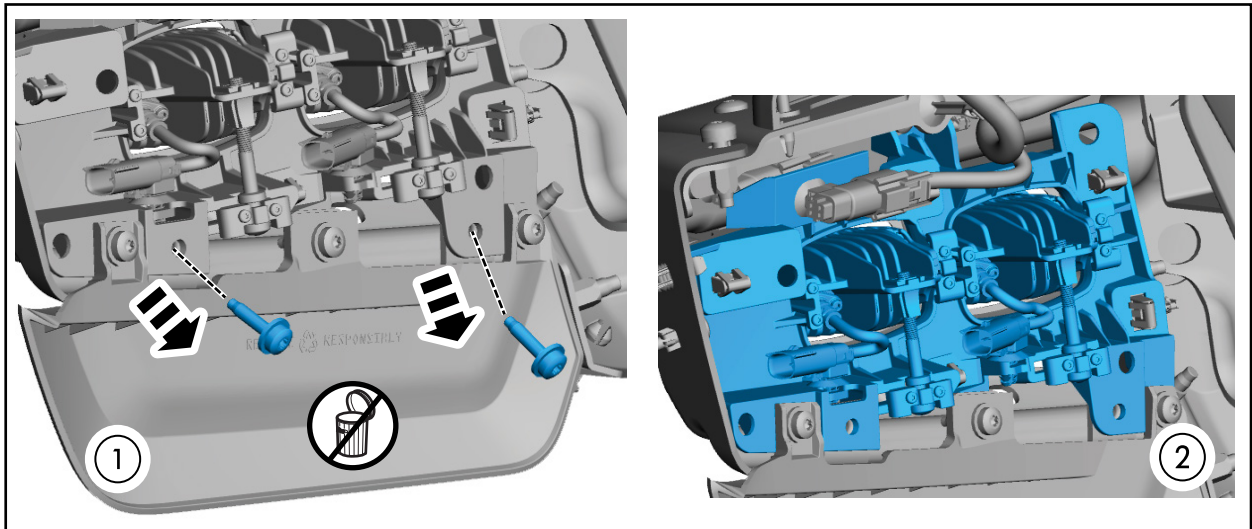


FIGURE 4

Ford Factory Shop Manual purchase options www.motorcraftservice.com



FORD PERFORMANCE

M-15200-RDL
2021 Bronco Raptor
Off-Road Driving Lamp Upgrade Kit

NO PART OF THIS DOCUMENT MAY BE REPRODUCED WITHOUT PRIOR AGREEMENT AND WRITTEN PERMISSION OF FORD PERFORMANCE PARTS

5. Remove the 6 screws from the inboard fog light, that secures the lamp bracket with fog light assembly, to the vehicle. Do not discard screws. See Figure 5.

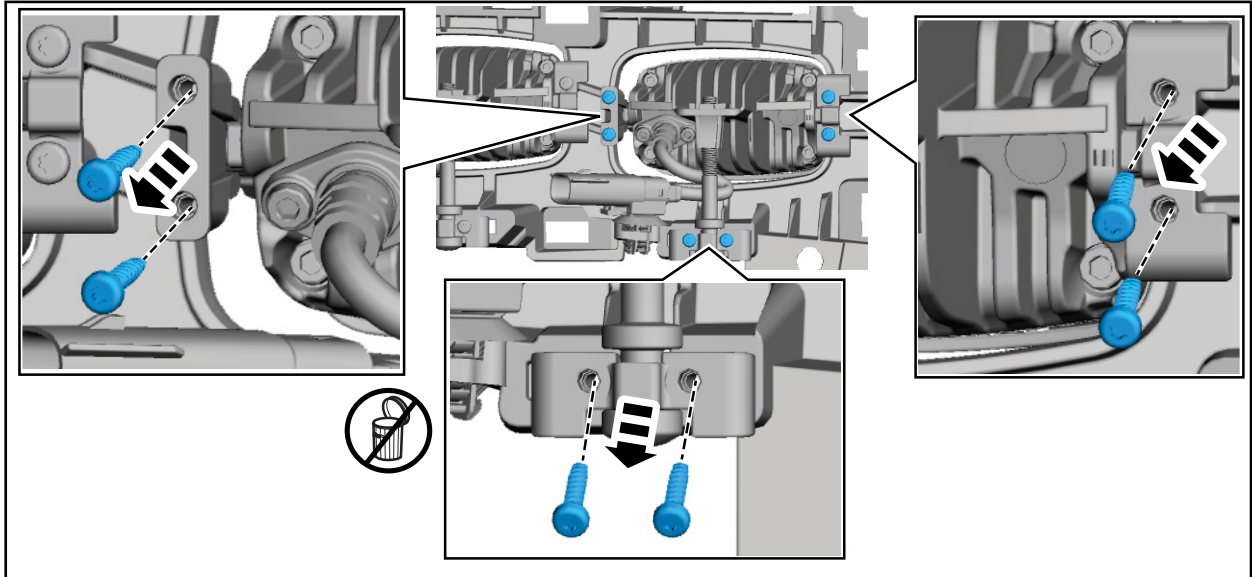


FIGURE 5

6. Remove the 3 pivot clamps from the inboard fog light assembly and bracket. See Figure 6.

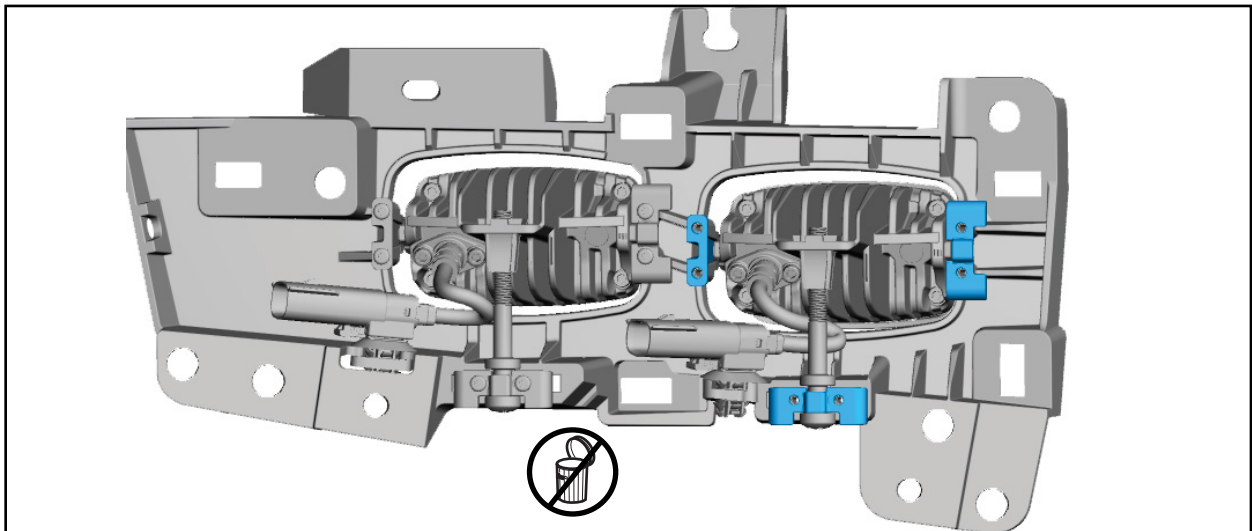


FIGURE 6

Ford Factory Shop Manual purchase options www.motorcraftservice.com

NO PART OF THIS DOCUMENT MAY BE REPRODUCED WITHOUT PRIOR AGREEMENT AND WRITTEN PERMISSION OF
FORD PERFORMANCE PARTS

7. Remove the inboard fog light. See Figure 7.

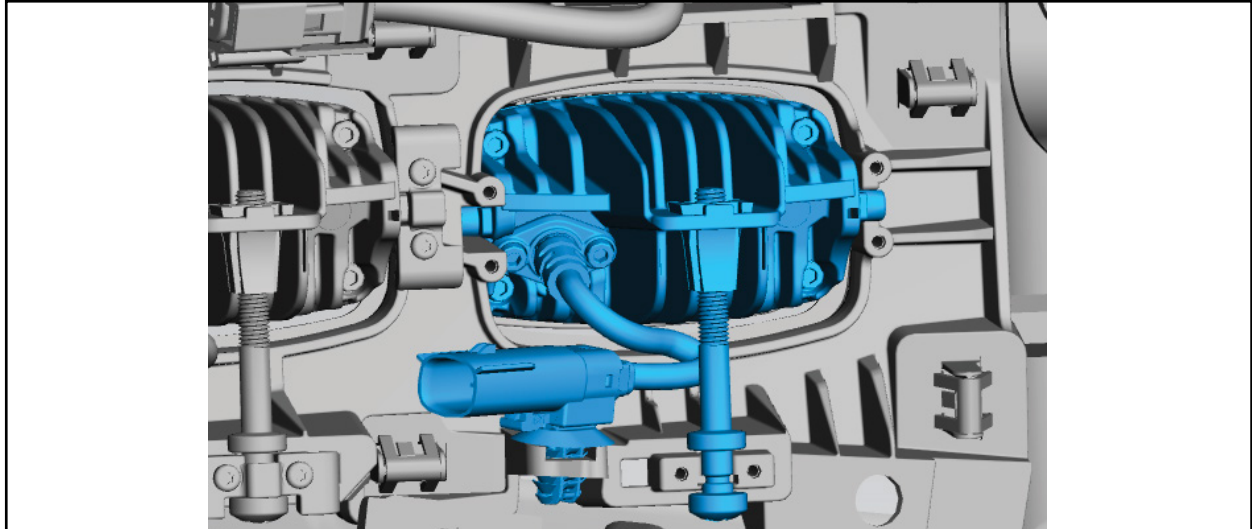


FIGURE 7

8. Install new inboard fog light into bracket.

NOTE: Reverse steps 2-6 to properly install fog light assembly and bracket into vehicle.

9. Repeat steps 1-8 for right-hand side.



M-15200-RDL
2021 F-150 Raptor
Off-Road Driving Lamp Upgrade Kit

NO PART OF THIS DOCUMENT MAY BE REPRODUCED WITHOUT PRIOR AGREEMENT AND WRITTEN PERMISSION OF FORD PERFORMANCE PARTS

PRIOR TO INSTALLATION READ THESE INSTRUCTION COMPLETELY
For questions, Call the FORD PERFORMANCE Techline 1-800-367-3788

Please visit <https://www.performanceparts.ford.com> for warranty information



Kit Contents	Quantity
Lamp Assembly with Aim Screw	2
Lens Cover	2

Ford Factory Shop Manual purchase options www.motorcraftservice.com

NO PART OF THIS DOCUMENT MAY BE REPRODUCED WITHOUT PRIOR AGREEMENT AND WRITTEN PERMISSION OF FORD PERFORMANCE PARTS

INSTALLATION PROCEDURE

NOTE: Left-hand side shown, right-side similar.

1. On the left hand side turn the steering wheel all the way to the right to access the fog light assembly. See Figure 1.

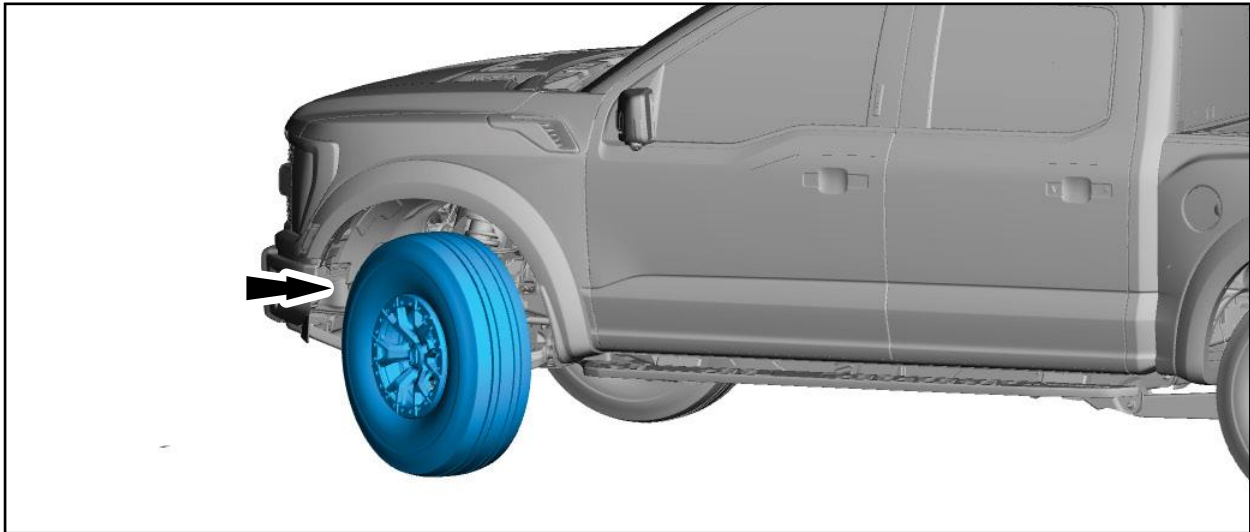


FIGURE 1

2. Remove the 4 bolts securing the fog lamp assembly covers and remove covers. Do not discard bolts. See Figure 2.

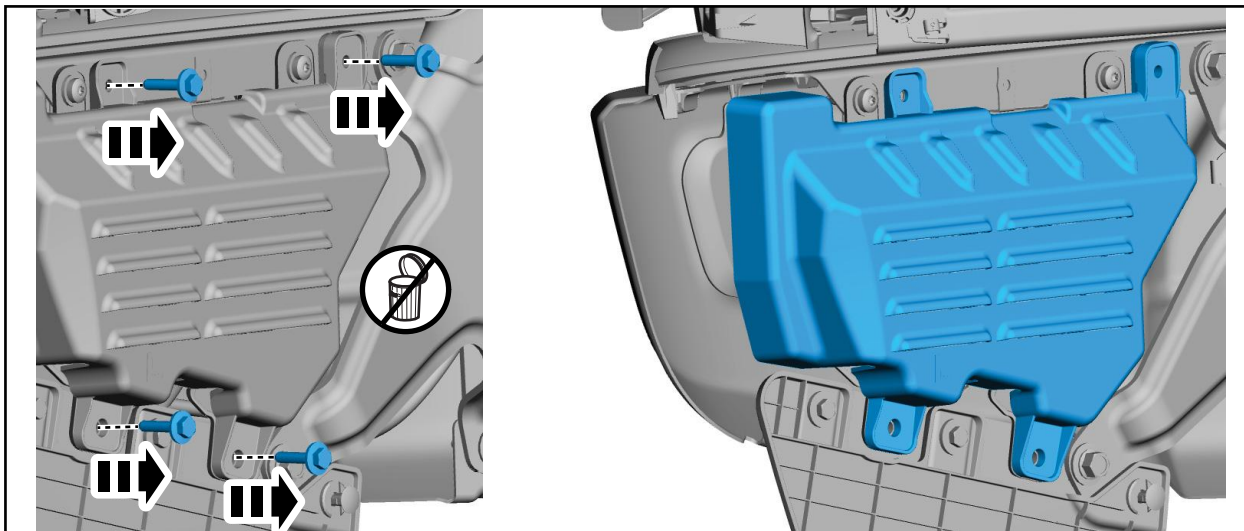


FIGURE 2

NO PART OF THIS DOCUMENT MAY BE REPRODUCED WITHOUT PRIOR AGREEMENT AND WRITTEN PERMISSION OF FORD PERFORMANCE PARTS

3. Disconnect the fog light assembly from the wire harness. See Figure 3.

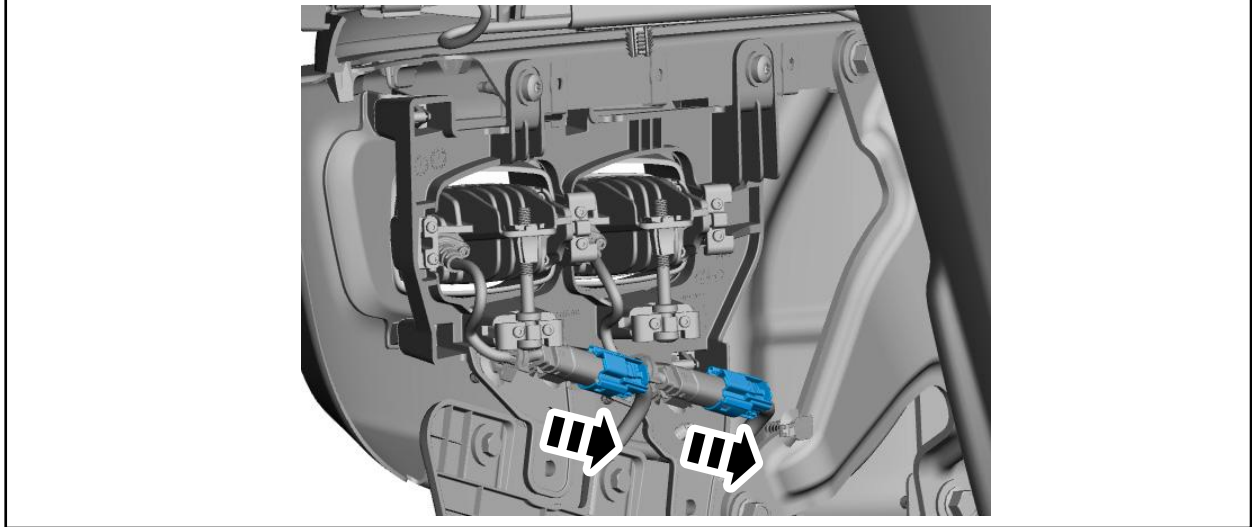


FIGURE 3

4. Remove the 2 screws that secure the fog-light assembly and lamp bracket to the vehicle. Do not discard screws. Remove the fog-light assembly and bracket. See Figure 4.

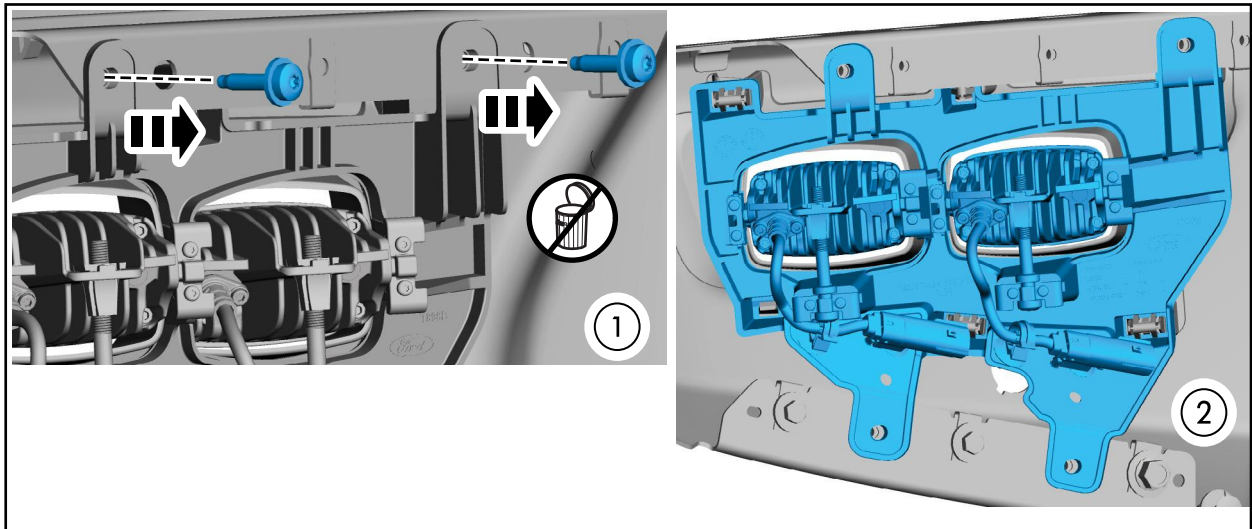


FIGURE 4



FORD PERFORMANCE

M-15200-RDL
2021 F-150 Raptor
Off-Road Driving Lamp Upgrade Kit

NO PART OF THIS DOCUMENT MAY BE REPRODUCED WITHOUT PRIOR AGREEMENT AND WRITTEN PERMISSION OF FORD PERFORMANCE PARTS

5. Remove the 6 screws from the inboard fog light, that secures the lamp bracket with fog light assembly, to the vehicle. Do not discard screws. See Figure 5.

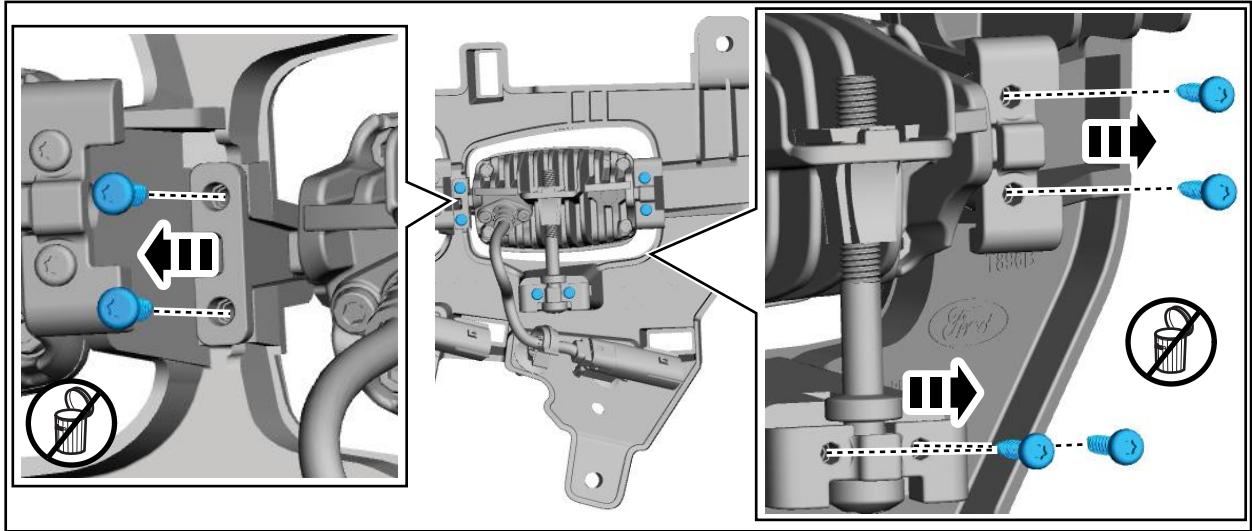


FIGURE 5

6. Remove the 3 pivot clamps from the inboard fog light assembly and bracket. See Figure 6.

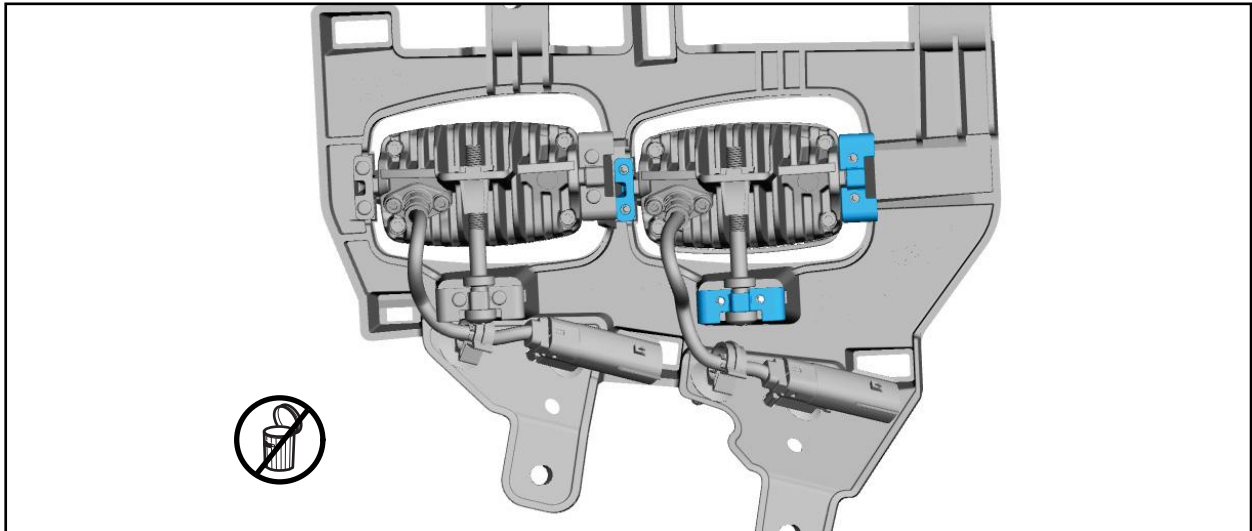


FIGURE 6

Ford Factory Shop Manual purchase options www.motorcraftservice.com

NO PART OF THIS DOCUMENT MAY BE REPRODUCED WITHOUT PRIOR AGREEMENT AND WRITTEN PERMISSION OF FORD PERFORMANCE PARTS

7. Remove the inboard fog light. See Figure 7.

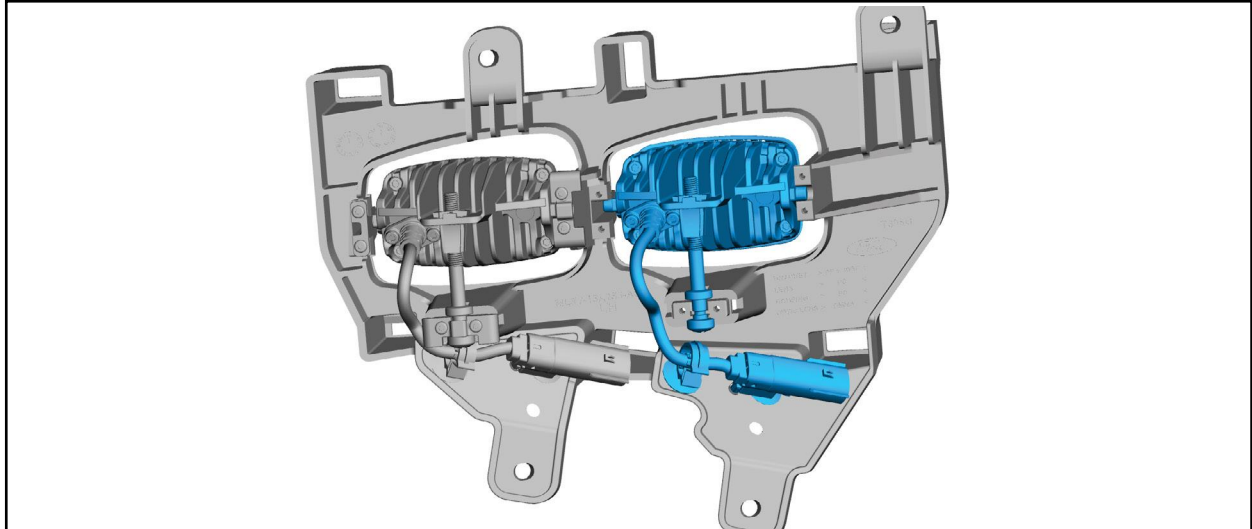


FIGURE 7

8. Install new inboard fog light into bracket.

NOTE: Reverse steps 2-6 to properly install fog light assembly and bracket into vehicle.

9. Repeat steps 1-8 for right-hand side.