



Part Number: M-16268-BGF / M-16268-BMF
Part Description: 2022+ BRONCO RAPTOR CARBON FIBER FRONT FENDER FLARES

NO PART OF THIS DOCUMENT MAY BE REPRODUCED WITHOUT PRIOR AGREEMENT AND WRITTEN PERMISSION OF FORD PERFORMANCE PARTS.

Please visit www.performanceparts.ford.com for the most current instruction information

!!! PLEASE READ ALL OF THE FOLLOWING INSTRUCTIONS CAREFULLY PRIOR TO INSTALLATION.

AT ANY TIME YOU DO NOT UNDERSTAND THE INSTRUCTIONS, PLEASE CALL THE FORD PERFORMANCE TECHLINE AT 1-800-367-3788 !!!



Front Fender Flare Kit:

Quantity	Part Name
1	LH Fender Flare
1	RH Fender Flare
28	Flare Clip
14	Mud Flap Pin

Ford Factory Shop Manual purchase options www.motorcraftservice.com

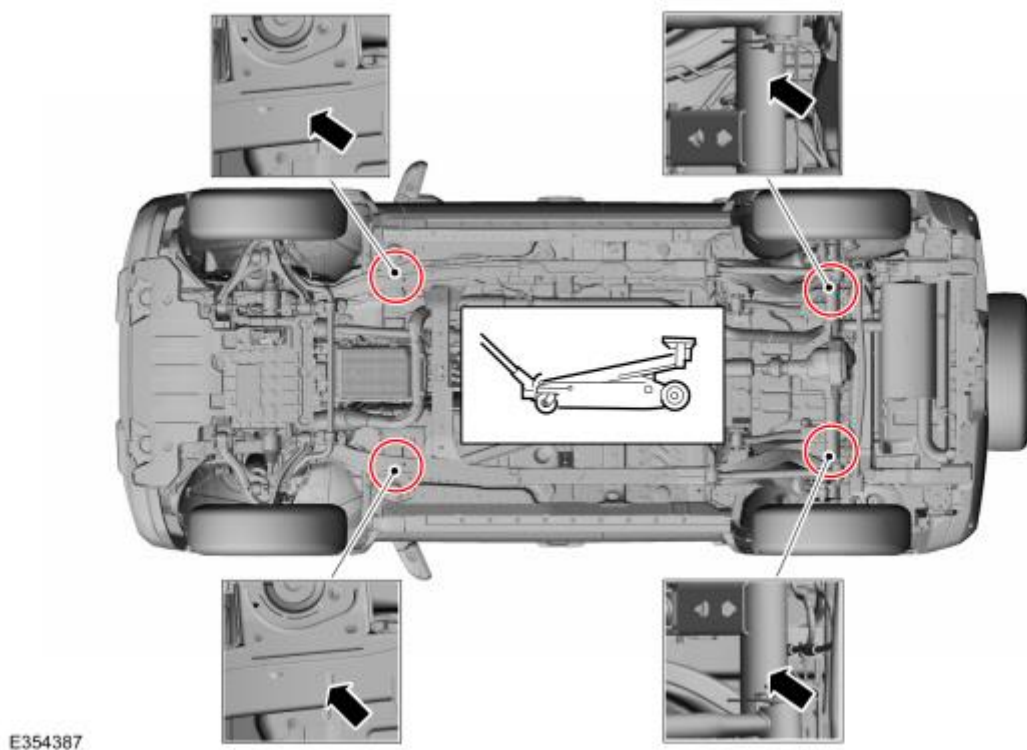
NO PART OF THIS DOCUMENT MAY BE REPRODUCED WITHOUT PRIOR AGREEMENT AND WRITTEN PERMISSION OF FORD PERFORMANCE PARTS.

NOTE: Removal steps in this procedure may contain installation details.

NOTE: LH side shown, RH side similar.

Step 1: With the vehicle in NEUTRAL, position it on a hoist.

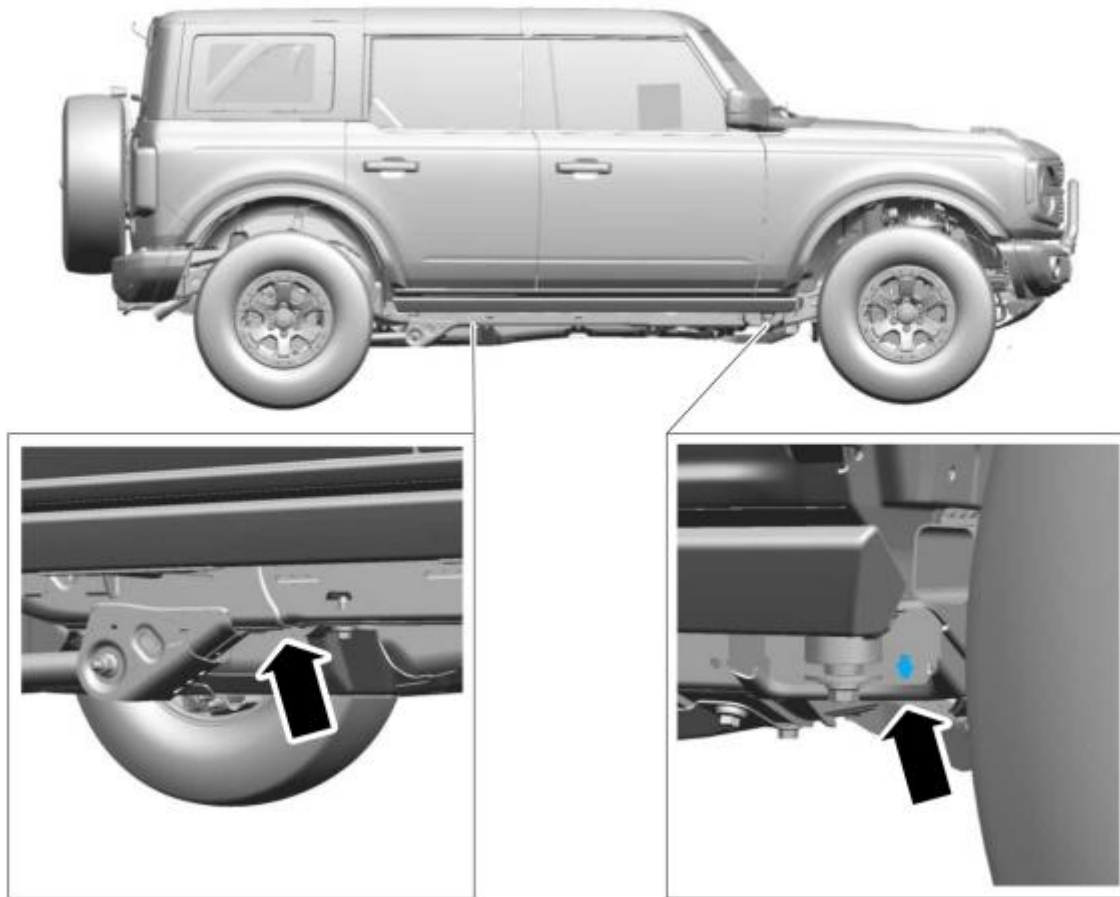
Jacking Points



Only the specified jacking points may be used for jacking and supporting the vehicle.

NO PART OF THIS DOCUMENT MAY BE REPRODUCED WITHOUT PRIOR AGREEMENT AND WRITTEN PERMISSION OF FORD PERFORMANCE PARTS.

Lifting Points



E348909

NOTE: *RH side shown, LH side similar.*

The lifting points for both the 2 and 4-door variants are aft of the front wheels on the chassis frame as indicated, and fore of the suspension rear trailing arm on the chassis frame.

⚠ WARNING: Before raising the vehicle on a hoist, make sure the hoist capacity is adequate for the vehicle weight, including any vehicle cargo or modifications. Always position the hoist lift arms as shown in section 100-02 of this manual. Do not use the engine to power the drive wheels unless all drive wheels are elevated off the ground. Incorrect hoist arm positioning or drive wheels in contact with the ground can cause unintended vehicle movement. Failure to follow these instructions may result in serious personal injury or death.



Part Number: M-16268-BGF / M-16268-BMF
Part Description: 2022+ BRONCO RAPTOR CARBON FIBER FRONT FENDER FLARES

NO PART OF THIS DOCUMENT MAY BE REPRODUCED WITHOUT PRIOR AGREEMENT AND WRITTEN PERMISSION OF FORD PERFORMANCE PARTS.

⚠ WARNING: Position the hoist lift arms as shown in the illustration. Incorrect positioning could result in vehicle slipping or falling from the hoist. Failure to follow this instruction may result in serious personal injury.

⚠ WARNING: Never get underneath a vehicle that is supported only by a jack. The jack could unintentionally lower. Always support vehicle with floor stands. Failure to follow these instructions may result in serious personal injury.

⚠ WARNING: Identify the correct jacking points by locating the triangle stamped into the uni-body sheet metal or vehicle frame or molded into the body rocker moulding. Raising a vehicle in any other location may result in vehicle shifting or falling. Failure to follow this instruction may result in serious personal injury.

⚠ WARNING: Only raise the vehicle when positioned on a hard, level surface. Attempting to raise the vehicle on an uneven or soft surface may result in vehicle slipping or falling from the jack or jackstand. Failure to follow this instruction may result in serious personal injury.

⚠ WARNING: When jacking or lifting the vehicle, block all wheels remaining on the ground. Set the parking brake if the rear wheels will remain on the ground. These actions help prevent unintended vehicle movement. Failure to follow these instructions may result in serious personal injury.

NOTICE: The jack provided with the vehicle is intended to be used in an emergency for changing a deflated tire. To avoid damage to the vehicle, never use the jack to hoist the vehicle for any other purpose.

NOTICE: Do not attempt to jacking on the front bumper or the rear bumper on any vehicle. Damage to bumper covers will occur.

NOTICE: Do not attempt to jacking on the front control arm or rear control arm on any vehicle. Damage to control arms may occur.

NOTICE: Do not use the differential housing as a lift point. Leaks or damage to the rear axle cover and adjoining differential housing surface may occur if a floor jack or any lifting device is allowed to contact the cover at any point where the cover joins the housing.

NOTICE: Place blocks underneath the lifting points if a two-column hoist is used.

Ford Factory Shop Manual purchase options www.motorcraftservice.com



Part Number: M-16268-BGF / M-16268-BMF
Part Description: 2022+ BRONCO RAPTOR CARBON FIBER FRONT FENDER FLARES

NO PART OF THIS DOCUMENT MAY BE REPRODUCED WITHOUT PRIOR AGREEMENT AND WRITTEN PERMISSION OF FORD PERFORMANCE PARTS.

NOTICE: Damage to the suspension, exhaust or steering linkage components may occur if care is not exercised when positioning the hoist adapters prior to lifting the vehicle.

NOTICE: To prevent possible damage to the underbody, do not drive the vehicle onto the drive-on lift without first checking for possible interference.

NOTICE: When raising a vehicle on a two-column hoist, use care when positioning the vehicle so that the hoisting forks do not interfere with suspension components, mounting brackets or stabilizer mounting brackets, if equipped. In addition, use care in hoist positioning to avoid possible damage to the axle or rear cover.

Step 2: Remove the wheel nuts. Remove the LH & RH front wheel and tire.

NOTICE: Do not use heat to loosen a seized wheel nut.

NOTICE: Do not use power tools on locking wheel nuts.

NOTE: Use metric hexagonal socket.

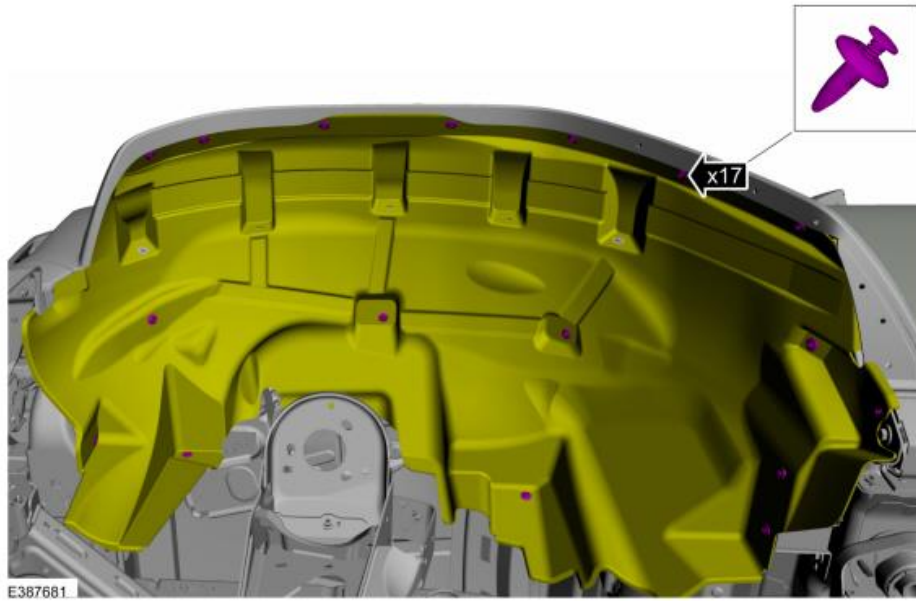


E351488

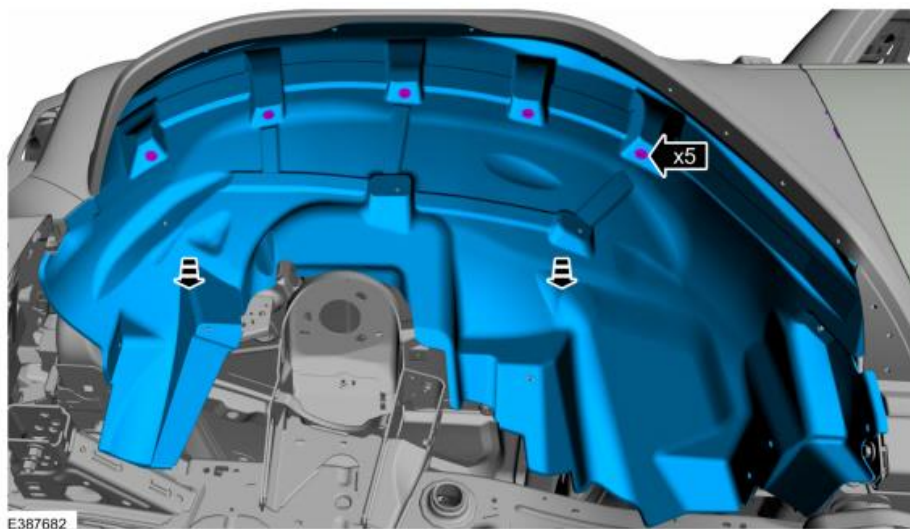
Ford Factory Shop Manual purchase options www.motorcraftservice.com

NO PART OF THIS DOCUMENT MAY BE REPRODUCED WITHOUT PRIOR AGREEMENT AND WRITTEN PERMISSION OF FORD PERFORMANCE PARTS.

Step 3: Remove the fender splash shields. Remove the trim pins.



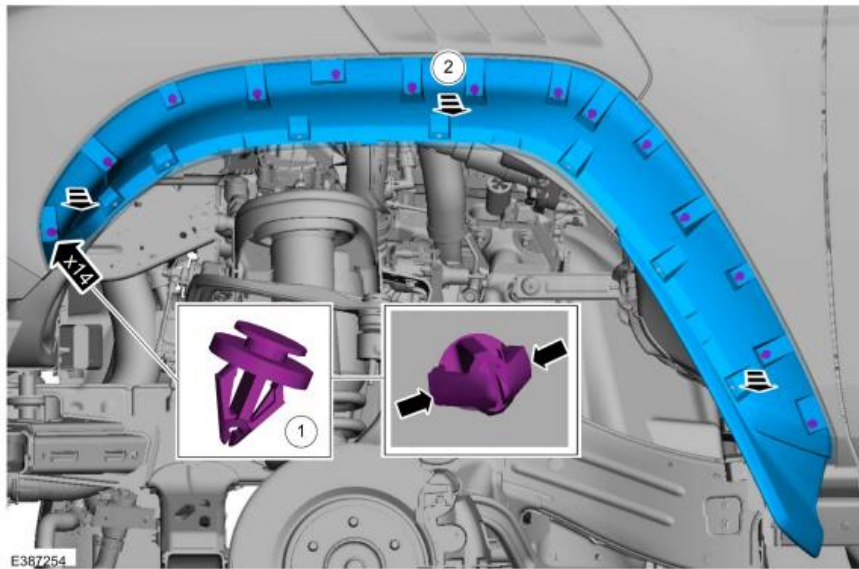
Step 4: Remove the screws and the fender splash shield. *Torque: 15 lb.in (1.7 Nm)*



NO PART OF THIS DOCUMENT MAY BE REPRODUCED WITHOUT PRIOR AGREEMENT AND WRITTEN PERMISSION OF FORD PERFORMANCE PARTS.

Step 5: Remove the front fender flare.

1. Press the lugs and release the pushpins from fender.
2. Remove the front fender flare.



Step 6: Remove the (7) pin type retainers attaching the lower mud flap to the fender flare.

Step 7: Attach the lower mud flap to the new fender flares using (7) of the provided pin type retainers.

NO PART OF THIS DOCUMENT MAY BE REPRODUCED WITHOUT PRIOR AGREEMENT AND WRITTEN PERMISSION OF FORD PERFORMANCE PARTS.

Step 8: Install (14) of the provided flare retaining clips to the new carbon fiber fender flare.



Step 9: To install the carbon fiber fender flare, reverse the removal procedure.

NOTE: When installing the carbon fiber fender flares, apply pressure to each area where a fastener is located until you hear/feel that fastener click into position. Simultaneously pull on the edge of the fender towards yourself while pressing on each fastener location once on the carbon fiber fender flare until you hear/feel a second click to ensure full fastener engagement.

Step 10: Install the fender splash shields.

Step 11: Install the wheel and tire and install the wheel nuts.

NOTE: Only tighten the nuts finger tight at this stage.



NO PART OF THIS DOCUMENT MAY BE REPRODUCED WITHOUT PRIOR AGREEMENT AND WRITTEN PERMISSION OF FORD PERFORMANCE PARTS.

Step 12: Install the wheel nuts. For Bronco Raptor (M14 Wheel Stud), tighten to 200 Nm (147.5 lb-ft).

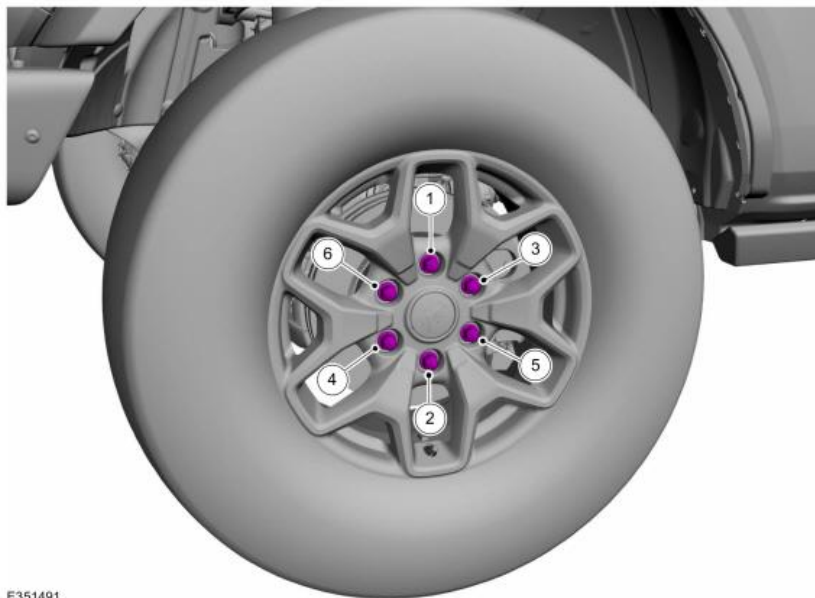
⚠ WARNING: Retighten wheel nuts within 160 km (100 mi) after a wheel is reinstalled. Wheels can loosen after initial tightening. Failure to follow this instruction may result in serious injury to vehicle occupant(s).

NOTICE: Failure to tighten the wheel nuts in a star/cross pattern can result in high brake disc runout, which accelerates the development of brake roughness, shudder and vibration.

NOTE: *The wheel nut torque specification is for clean, dry wheel stud and wheel nut threads.*

NOTE: *Use metric hexagonal socket.*

NOTE: *Final tightening to be performed with vehicle resting on tires.*



E351491



FORD PERFORMANCE

Part Number: M-16268-BGF / M-16268-BMF
Part Description: 2022+ BRONCO RAPTOR CARBON FIBER FRONT FENDER FLARES

NO PART OF THIS DOCUMENT MAY BE REPRODUCED WITHOUT PRIOR AGREEMENT AND WRITTEN PERMISSION OF FORD PERFORMANCE PARTS.

Care

Carbon fiber products are durable, but still requires care and maintenance to stay looking good. More specifically, keep the products clean and minimize exposure to the sun. Gloss finish products should be waxed with a car care product designated for clear coat finishes (non-abrasive). Matte finish products should not be waxed, surface may become spotty. Grease or fingerprints may be reduced from matte finish with rubbing alcohol. Do not use high heat to apply wrap, PPF or ceramic coating as the heat may damage the clear finish and/or the resin within the carbon fiber product. Do not drive your vehicle equipped with carbon fiber products through an automated or commercial car wash due to the high-water pressure, high water temperature and unknown soap content. Wash your vehicle by hand with low water pressure, low water temperature and a quality automotive grade Ph neutral soap formulated to minimize scratching and fading (intended for late model clear coat finishes). Do not use a high-pressure wand on carbon fiber surfaces.

Ford Factory Shop Manual purchase options www.motorcraftservice.com