



TECHNICAL SERVICE BULLETIN

Equipped With Parking Aid Sensors - Parking Aid Sensors Not Staying Deactivated After Vehicle Is Off Longer Than 5 Minutes

22-209415 March
2022

This bulletin supersedes 22-2038.

Model:

Ford 2021-2022 Bronco

Summary

This article supersedes TSB 22-2038 to update the Service Procedure.

Issue: Some 2021-2022 Bronco vehicles equipped with parking aid sensors may exhibit a park aid system that does not remain deactivated after the vehicle has been off for more than 5 minutes. The vehicle may exhibit false alerts from the parking aid warning system which may cause it to activate while driving or towing or due to the presence of a winch. This may be due to the software within the instrument panel cluster (IPC). To correct the condition, follow the Service Procedure and update the IPC software.

Action: Follow the Service Procedure steps to correct the condition on vehicles that meet all of the following criteria:

- 2021-2022 Bronco
- Equipped with parking aid sensors
- Parking aid sensors do not stay deactivated if vehicle remains in the off position for longer than 5 minutes

Warranty Status: Eligible under provisions of New Vehicle Limited Warranty (NVLW)/Service Part Warranty (SPW)/Special Service Part (SSP)/Extended Service Plan (ESP) coverage. Limits/policies/prior approvals are not altered by a TSB. NVLW/SPW/SSP/ESP coverage limits are determined by the identified causal part and verified using the OASIS part coverage tool.

Labor Times

Description	Operation No.	Time
2021-2022 Bronco: Reprogram The IPC, Refresh The Parking Aid System And Road Test (Do Not Use With Any Other Labor Operations)	222094A	3.0 Hrs.
2021-2022 Bronco: Reprogram The IPC, Refresh The Parking Aid System And Road Test Includes Time To Disconnect/Reconnect Battery And A Second Road Test (Do Not Use With Any Other Labor Operations)	222094B	3.3 Hrs.

Repair/Claim Coding

Causal Part:	10849
Condition Code:	04

Service Procedure

NOTE: If a MyKey has been programmed to the vehicle, use the admin key to operate the vehicle throughout this procedure.

1. Reprogram the IPC using the latest level of the Ford Diagnosis and Repair System (FDRS) scan tool.

NOTE: IPC programming could take up to 3 hours if using a VCM 3 or VCMM and up to 6 hours if using a VCM 2, however, no technician interaction is needed during programming.

2. Refresh the park aid system by cycling all parking aid sensors from on to off, several times, ending in off. Use the touchscreen to access Features > Driver Assistance > Parking Aid Sensors.
3. Turn the vehicle off and let sit undisturbed for at least 5 minutes.
4. Test drive the vehicle to be sure that all parking aid sensor warning chimes remain deactivated when obstructions are in close proximity to the rear and front bumpers (if equipped).

NOTE: Vehicle must be in drive (D) or reverse (R) to activate the appropriate parking aid sensor chime.

5. If the park aid system fails to remain disabled, disconnect the vehicle's 12v battery for at least 5 minutes, reconnect the battery and repeat Step 4.

© 2022 Ford Motor Company

All rights reserved.

NOTE: The information in Technical Service Bulletins is intended for use by trained, professional technicians with the knowledge, tools, and equipment to do the job properly and safely. It informs these technicians of conditions that may occur on some vehicles, or provides information that could assist in proper vehicle service. The procedures should not be performed by "do-it-yourselfers". Do not assume that a condition described affects your car or truck. Contact a Ford or Lincoln dealership to determine whether the Bulletin applies to your vehicle. Warranty Policy and Extended Service Plan documentation determine Warranty and/or Extended Service Plan coverage unless stated otherwise in the TSB article. The information in this Technical Service Bulletin (TSB) was current at the time of printing. Ford Motor Company reserves the right to supersede this information with updates. The most recent information is available through Ford Motor Company's on-line technical resources.

Ford Performance BRONCO WINCH KIT

M-1821-B

Notice to Installer



Software Program Required. Dealer Tools Required.

WARNING

WARNING: Failure to follow these instructions could result in personal injury or death:

- **When this winch is fitted, and again if this winch is removed, a software update must be performed by a Ford dealer or qualified technician. Failure to perform the software update will affect airbag deployment and may affect other safety systems.**
- Installation instructions must be followed to ensure correct fitment to the vehicle and proper operation of the accessory.
- This product and its installation must not be modified.
- No accessory or fitment shall extend beyond the front of the vehicle.
- This product was specifically designed for this vehicle. Do not use in any other vehicle.

M2DA-25729-AB

PRIOR TO INSTALLATION READ THESE INSTRUCTION COMPLETELY
For questions, Call the FORD PERFORMANCE Techline 1-800-367-3788

Please visit <https://www.performanceparts.ford.com> for warranty information

Ford Factory Shop Manual purchase options www.motorcraftservice.com

Installer Delivery Checklist

- 1) Review this Checklist with Vehicle Owner
 - a. Front Park Aid is not Winch Compatible. The owner needs to select long-term disable.
 - b. Radar Speed Control is not Winch Compatible. The owner needs to select normal cruise.
 - c. 360 Degree Camera option, Winch installation diminishes front camera view.
- 2) Provide Winch Owner Manual (**The Basic Guide to Winching Techniques**) www.warn.com
- 3) Leave this page and WARN literature items in plain view for vehicle owner

IMPORTANT CUSTOMER NOTICE

This winch has 10,000lbs of pull strength



Improper line rope stowage will cause damage to the vehicle, winch and winch mounting brackets.

- ✓ Power-in the remaining slack in the winch rope by “pulsing” the power-in button on the remote until there is minimal slack between rope hook and fairlead.
- × Do not power the hook into the fairlead “opening”.
- ✓ Stow to tow hook.
- × Do not continue to power-in winch after rope first becomes taut.





FORD PERFORMANCE

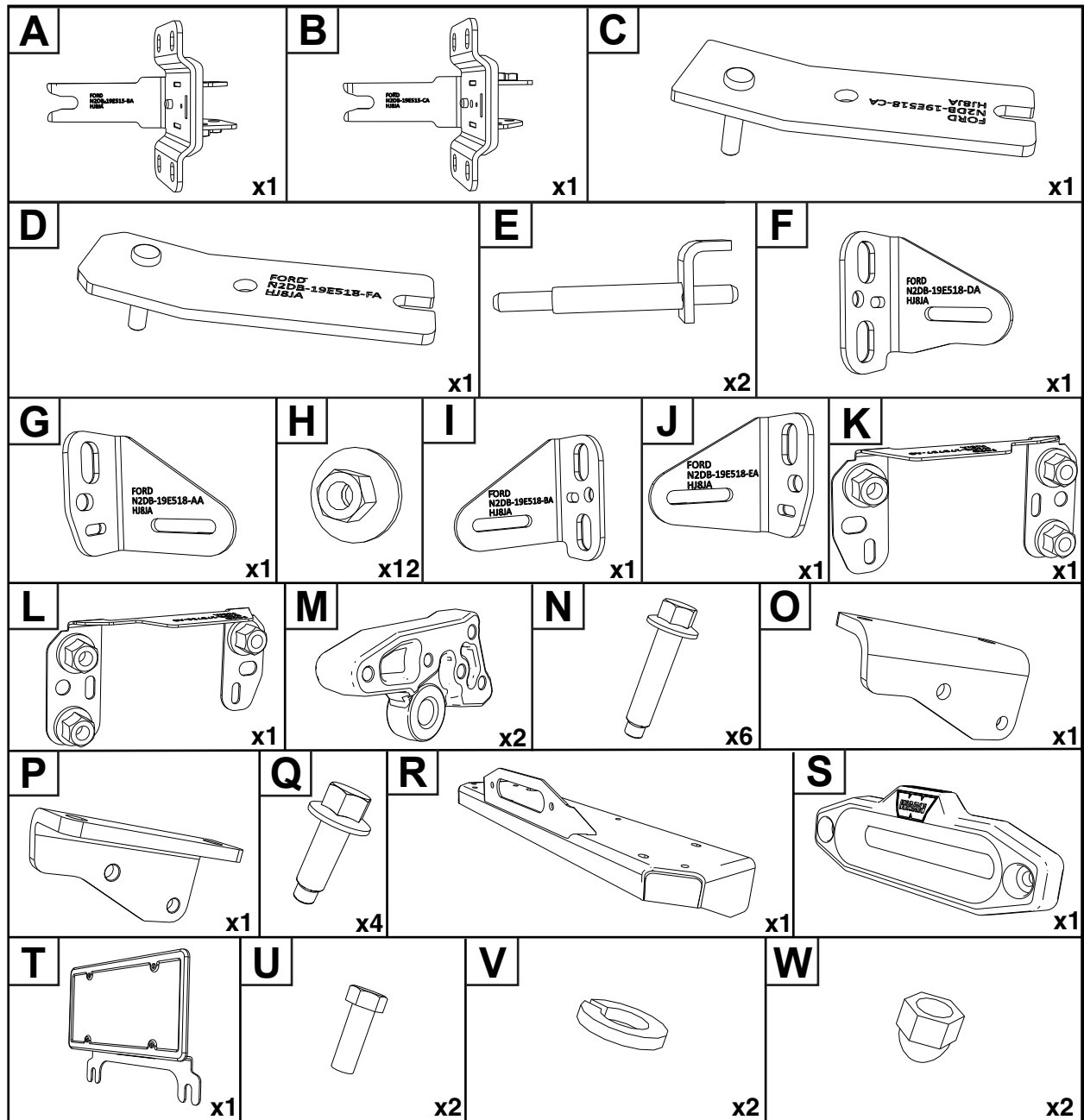
M-1821-B
2021 →
Bronco Off-Road Winch

NO PART OF THIS DOCUMENT MAY BE REPRODUCED WITHOUT PRIOR AGREEMENT AND WRITTEN PERMISSION OF FORD PERFORMANCE PARTS

PRIOR TO INSTALLATION READ THESE INSTRUCTION COMPLETELY
For questions, Call the FORD PERFORMANCE Techline 1-800-367-3788

Please visit <https://www.performanceparts.ford.com> for warranty information

Warn Winch Kit



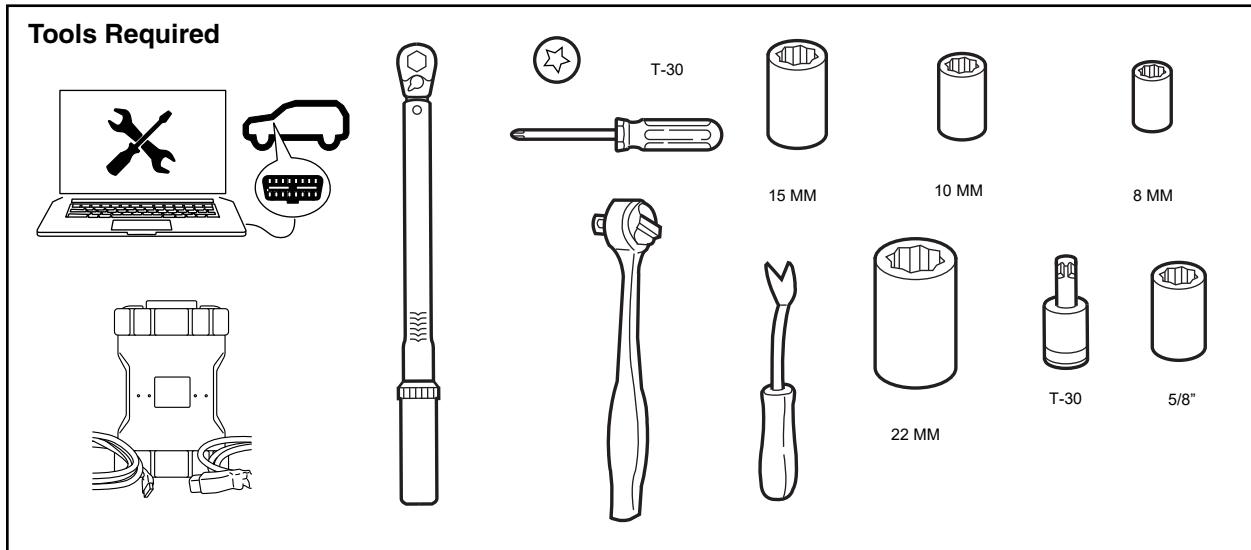
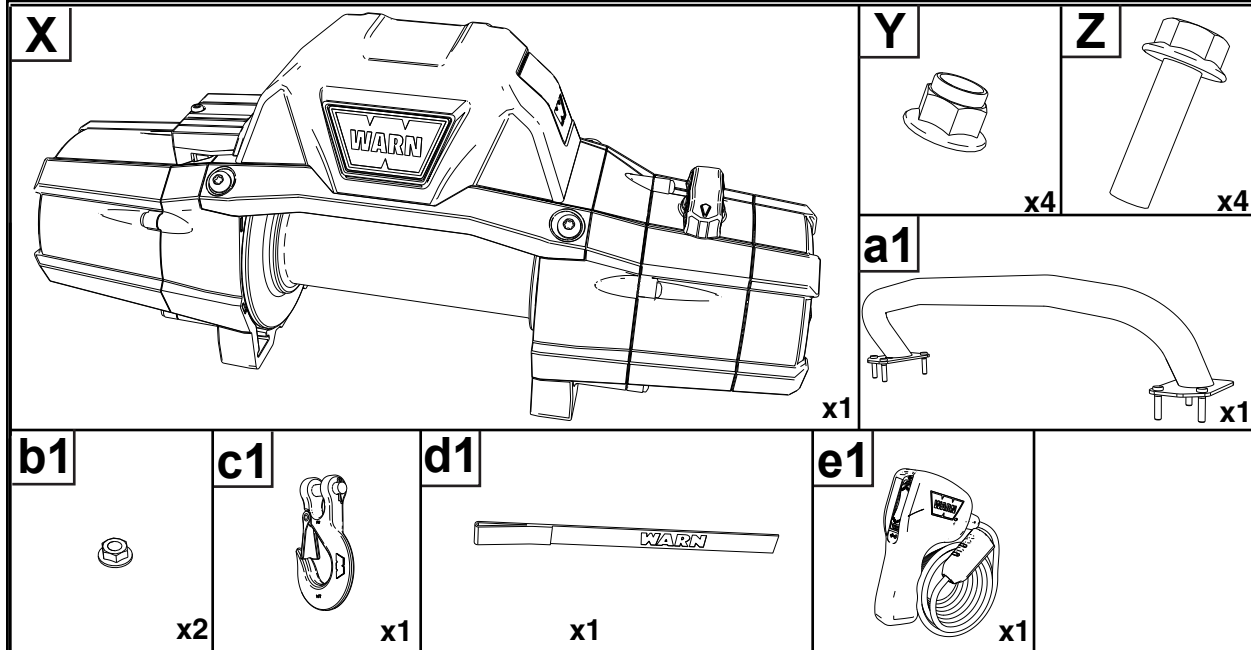
Ford Factory Shop Manual purchase options www.motorcraftservice.com



FORD PERFORMANCE

M-1821-B
2021 →
Bronco Off-Road Winch

NO PART OF THIS DOCUMENT MAY BE REPRODUCED WITHOUT PRIOR AGREEMENT AND WRITTEN PERMISSION OF FORD PERFORMANCE PARTS



Ford Factory Shop Manual purchase options www.motorcraftservice.com

**FORD PERFORMANCE**

M-1821-B
 2021 →
 Bronco Off-Road Winch

NO PART OF THIS DOCUMENT MAY BE REPRODUCED WITHOUT PRIOR AGREEMENT AND WRITTEN PERMISSION OF
 FORD PERFORMANCE PARTS

Kit Contents	Description	Part Number
A	Clevis Bracket (Left Hand)	N2DB-19E515-BA
B	Clevis Bracket (Right Hand)	N2DB-19E515-CA
C	CAC Bracket (Left Hand)	N2DB-19E518-CA
D	CAC Bracket (Right Hand)	N2DB-19E518-FA
E	Inner Frame Bolt	N2DB-19H381-AA
F	Inner Frame Bracket (Right Hand)	N2DB-19E518-DA
G	Outer Frame Bracket (Left Hand)	N2DB-19E518-AA
H	Frame Bracket Nut - M10 HX PTM FL 10	W717741-S442
I	Inner Frame Bracket (Left Hand)	N2DB-19E518-BA
J	Outer Frame Bracket (Right Hand)	N2DB-19E518-EA
K	Frame Nut Plate (Left Hand)	N2DB-17B757-AA
L	Frame Nut Plate (Right Hand)	N2DB-17B756-AA
M	Recovery Forging	N2DB-19E515-AA
N	Outer Frame Bolt - M12x1.75x80.0 HEX FLNG PIL	W500747-S450B
O	Recovery Forging Bracket (Left Hand)	N2DB-19H292-BA
P	Recovery Forging Bracket (Right Hand)	N2DB-19H292-CA
Q	Recovery Forging Bracket Bolt - M12X30 HF PIL 10	W500642-S405B
R	Winch Plate	N2DB-19H292-AA
S	Fair Lead	N2DB-19E514-AA
T	License Plate Kit (Optional)	KN2DB-17N397-AA
U	Fairlead Bolt - 7/16-14 HX	WARN-1824
V	Fairlead Washer - 7/16 HELIX SPLIT	WARN-2146
W	Fairlead Nut - 7/16 ACORN	WARN-73849
X	Winch	N2DB-19E513-AA
Y	Winch Housing Nut - M10	WARN-87166
Z	Winch Housing Bolt - M10 X 35	WARN-69954
a1	Brush Bar	N2DB-17K819-AA
b1	Nut - M6 HF 8	W520412-S450
c1	Hook	N2DB-19H382-AA
d1	Hook Strap	N2DB-19H382-AA
e1	Winch Remote	LC3C-19H380-AA

Ford Factory Shop Manual purchase options www.motorcraftservice.com



M-1821-B
2021 →
Bronco Off-Road Winch

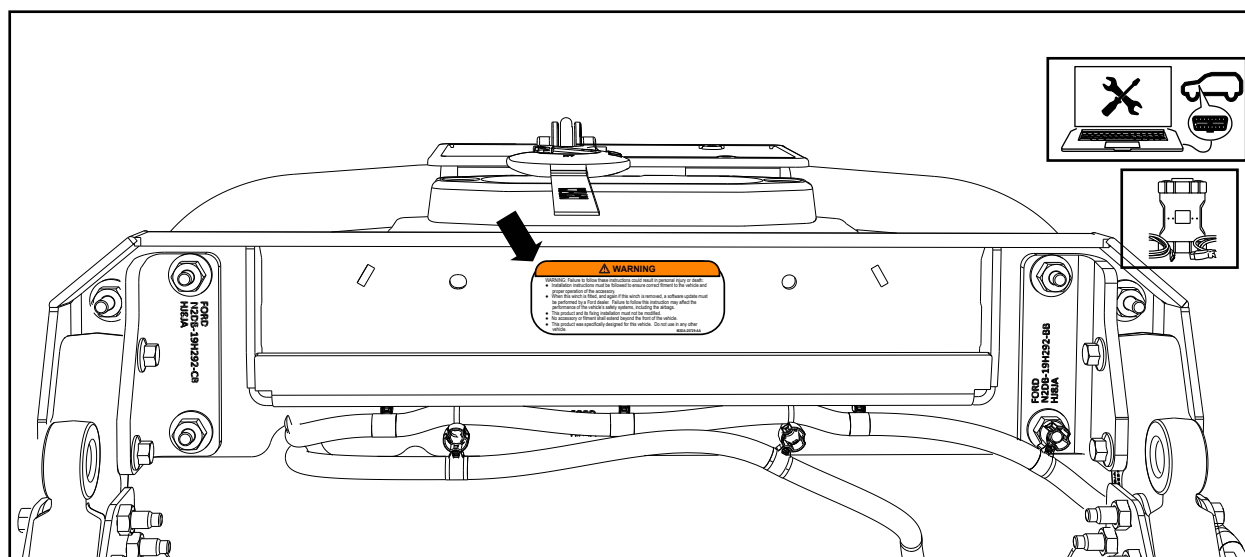
NO PART OF THIS DOCUMENT MAY BE REPRODUCED WITHOUT PRIOR AGREEMENT AND WRITTEN PERMISSION OF FORD PERFORMANCE PARTS

INSTALLATION PROCEDURE - Winch Kit

WARNING: Failure to follow these instructions could result in personal injury or death:

- When this winch is fitted, and again if this winch is removed, a software update must be performed by a Ford dealer or qualified technician. Failure to perform the software update will affect airbag deployment and may affect other safety systems.
- Installation instructions must be followed to ensure correct fitment to the vehicle and proper operation of the accessory.
- This product and its installation must not be modified.
- No accessory or fitment shall extend beyond the front of the vehicle.
- This product was specifically designed for this vehicle. Do not use in any other vehicle.

IMPORTANT: After winch installation ensure the warning label is visible under the mounting plate. See illustration below. Restraint Control Module (RCM) software update is required after winch installation to ensure proper airbag deployment and performance of other safety systems. Perform RCM software update after the winch has been installed.



Ford Factory Shop Manual purchase options www.motorcraftservice.com

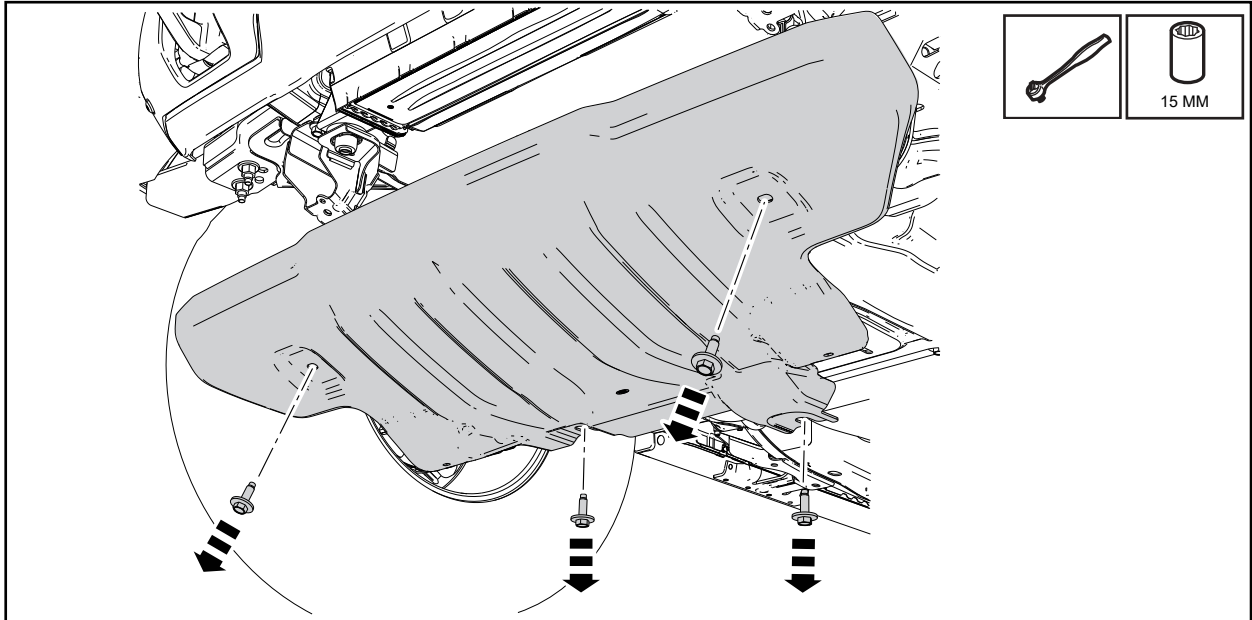


FORD PERFORMANCE

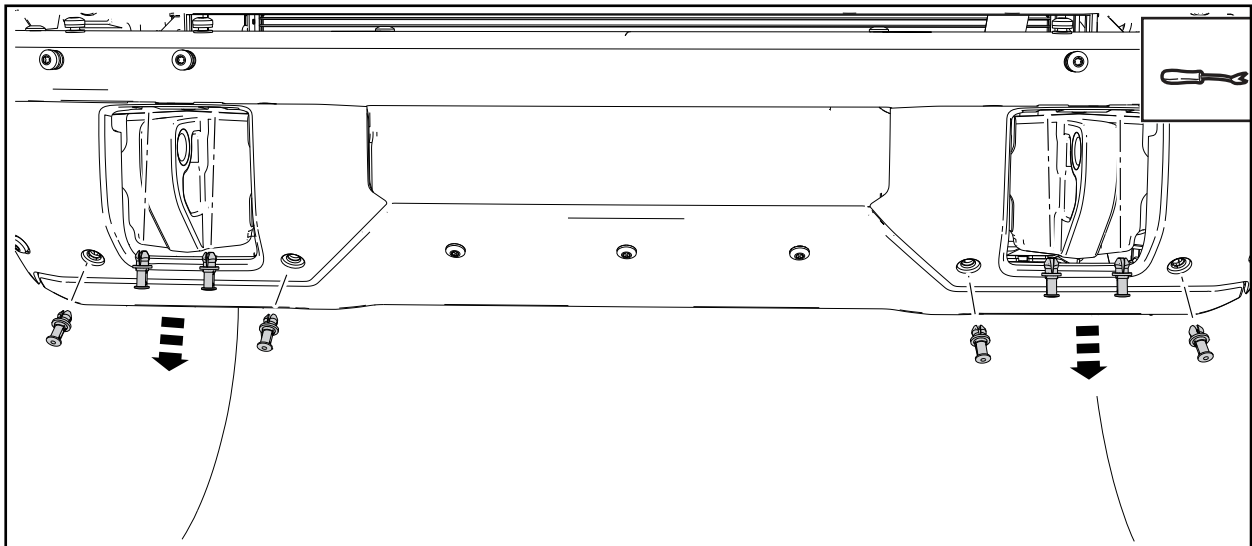
M-1821-B
2021 →
Bronco Off-Road Winch

NO PART OF THIS DOCUMENT MAY BE REPRODUCED WITHOUT PRIOR AGREEMENT AND WRITTEN PERMISSION OF FORD PERFORMANCE PARTS

1. Remove the retainers and the skid plate.



2. Remove the push pin retainers. Save the push pin retainers for step 27.



Ford Factory Shop Manual purchase options www.motorcraftservice.com

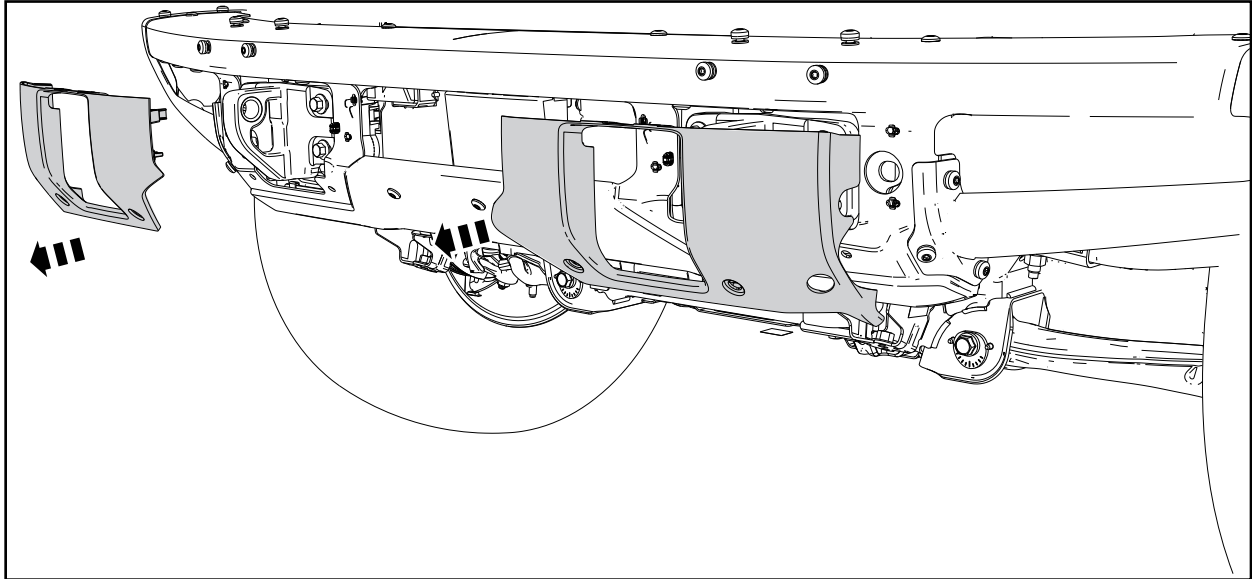


FORD PERFORMANCE

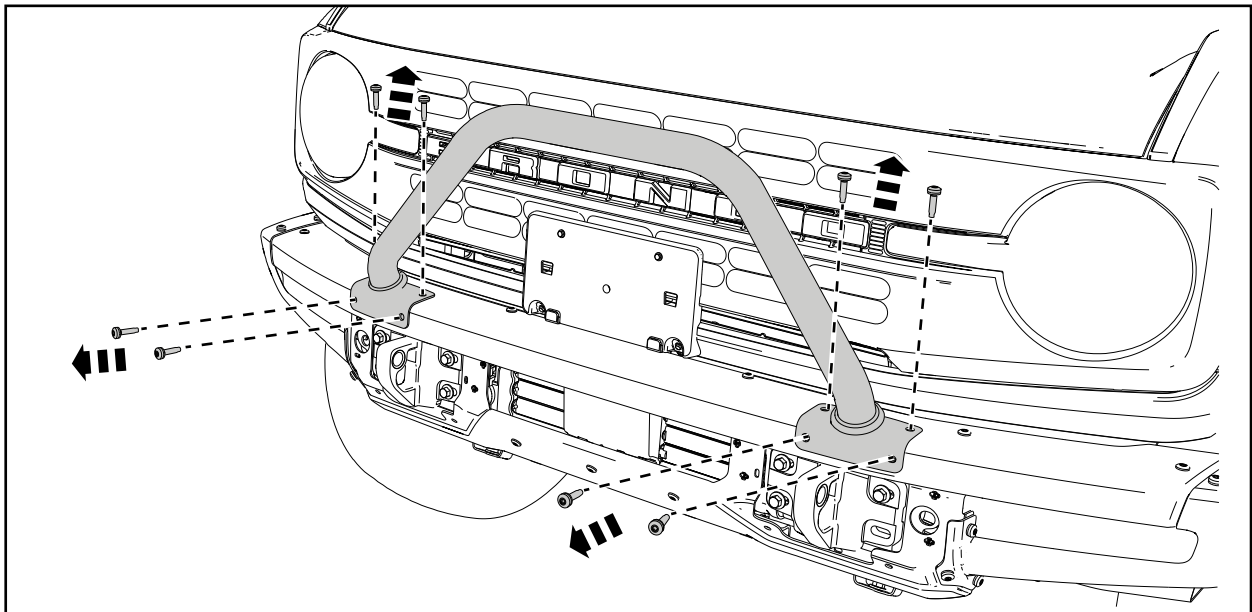
M-1821-B
2021 →
Bronco Off-Road Winch

NO PART OF THIS DOCUMENT MAY BE REPRODUCED WITHOUT PRIOR AGREEMENT AND WRITTEN PERMISSION OF FORD PERFORMANCE PARTS

3. Remove the front bumper trim panel.



4. If Equipped, remove the bolts and the safari bar.



Ford Factory Shop Manual purchase options www.motorcraftservice.com



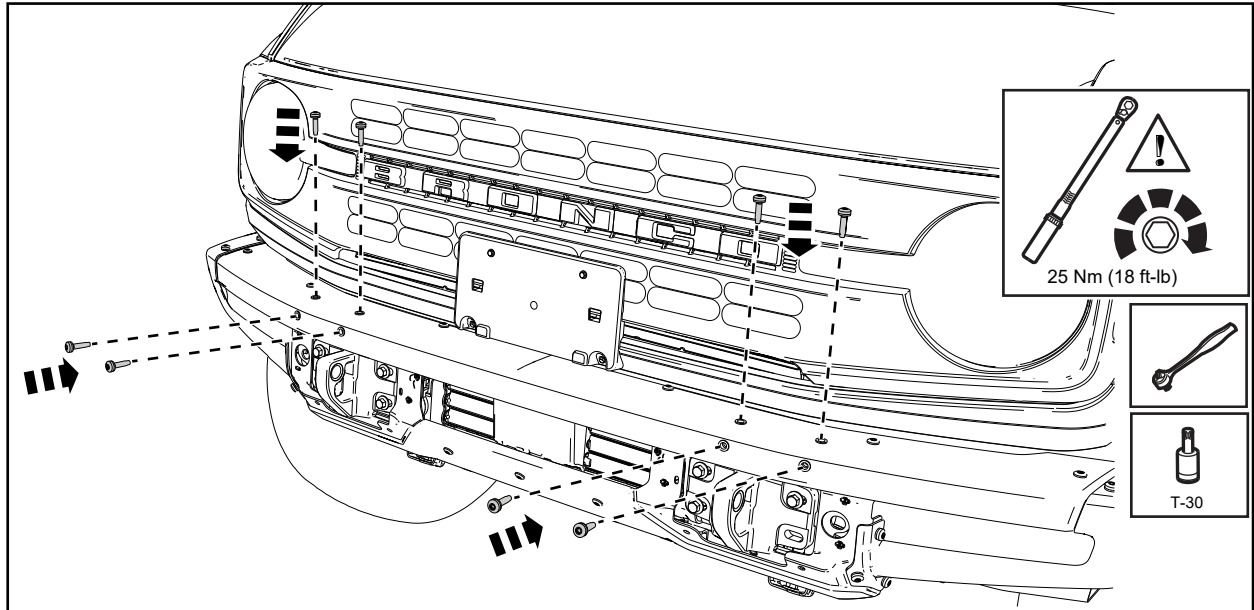
FORD PERFORMANCE

M-1821-B
2021 →
Bronco Off-Road Winch

NO PART OF THIS DOCUMENT MAY BE REPRODUCED WITHOUT PRIOR AGREEMENT AND WRITTEN PERMISSION OF FORD PERFORMANCE PARTS

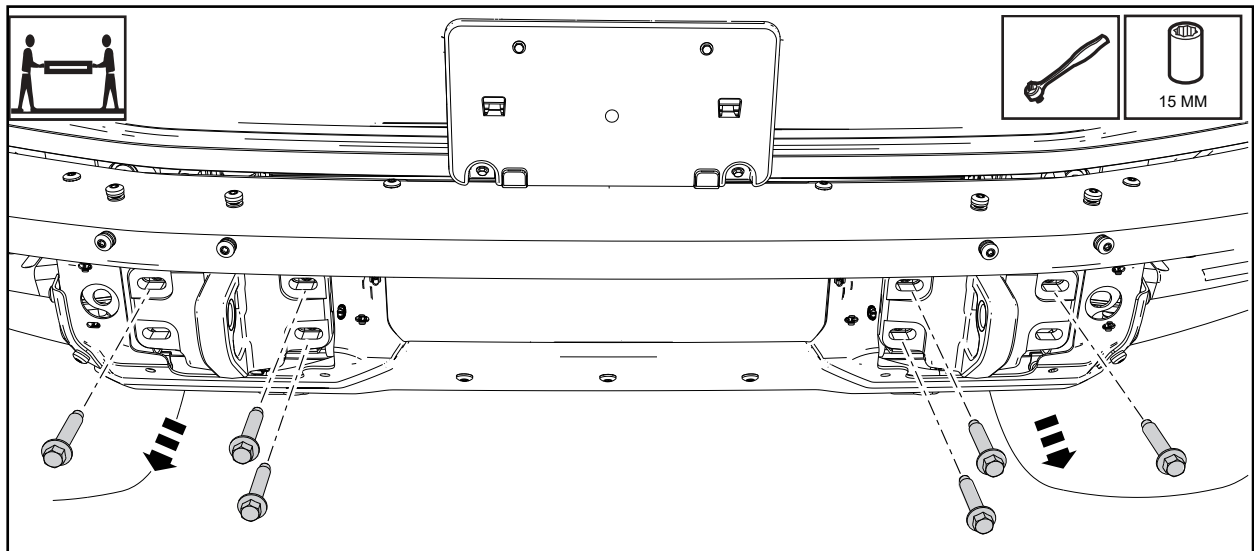
5. Install the safari bar retainers into the front bumper.

- Torque: 25 Nm (18 ft-lb)



NOTE: Save the front bumper bolts for step 23.

6. Remove the front bumper bolts.



Ford Factory Shop Manual purchase options www.motorcraftservice.com



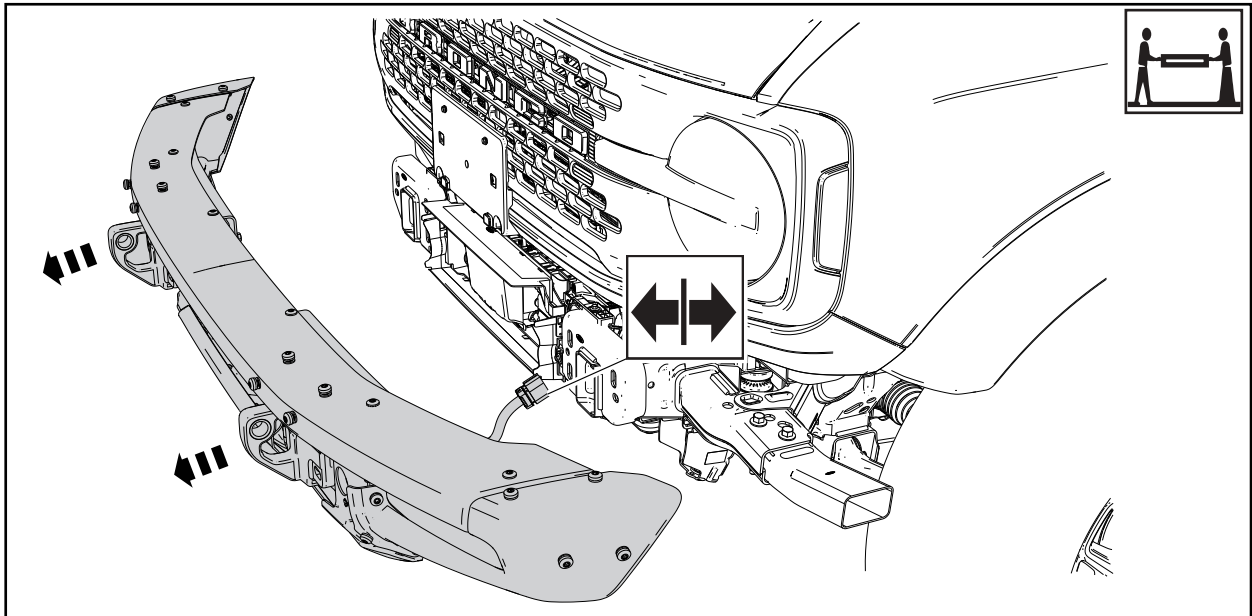
FORD PERFORMANCE

M-1821-B
2021 →
Bronco Off-Road Winch

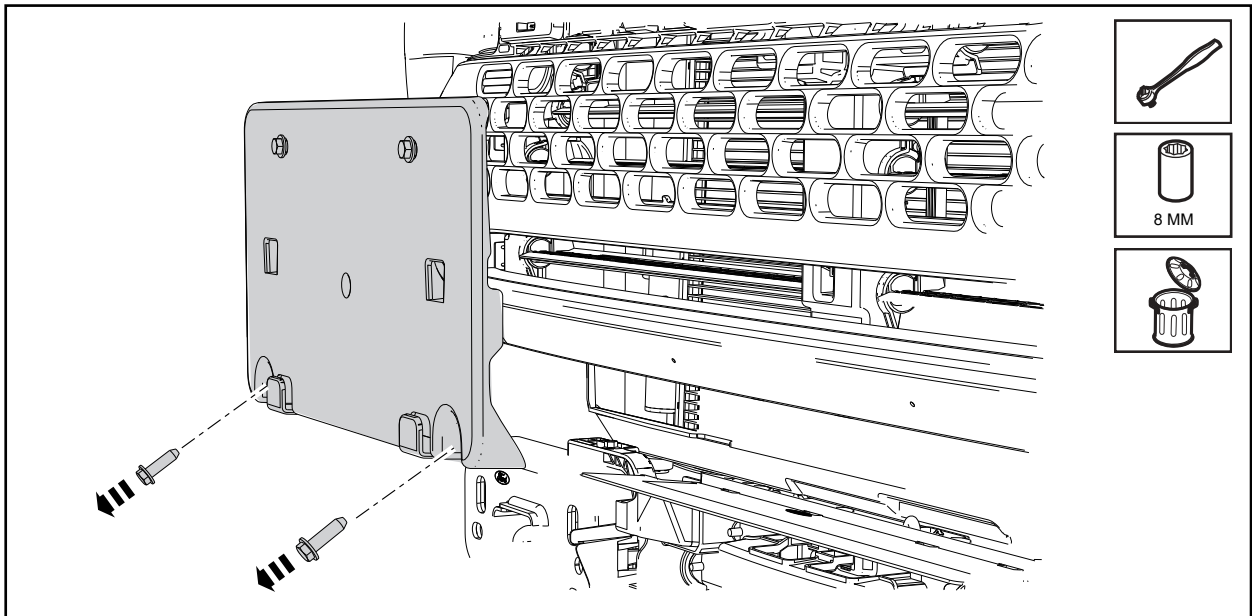
NO PART OF THIS DOCUMENT MAY BE REPRODUCED WITHOUT PRIOR AGREEMENT AND WRITTEN PERMISSION OF FORD PERFORMANCE PARTS

NOTE: If the bumper is equipped with a safari bar it must be removed before proceeding. The mounting bolts should be reinstalled and torqued to 18 lb.ft (25 Nm).

7. Remove the front bumper. Disconnect any electrical connectors if equipped.



8. Remove the retainers and the front license plate mounting bracket.



Ford Factory Shop Manual purchase options www.motorcraftservice.com

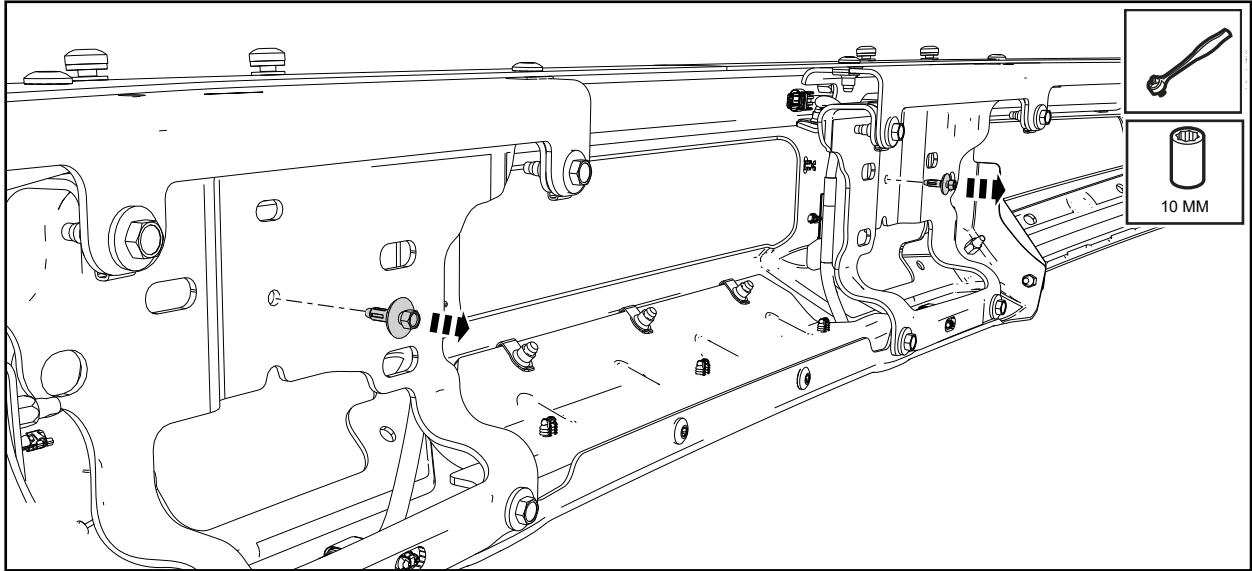


FORD PERFORMANCE

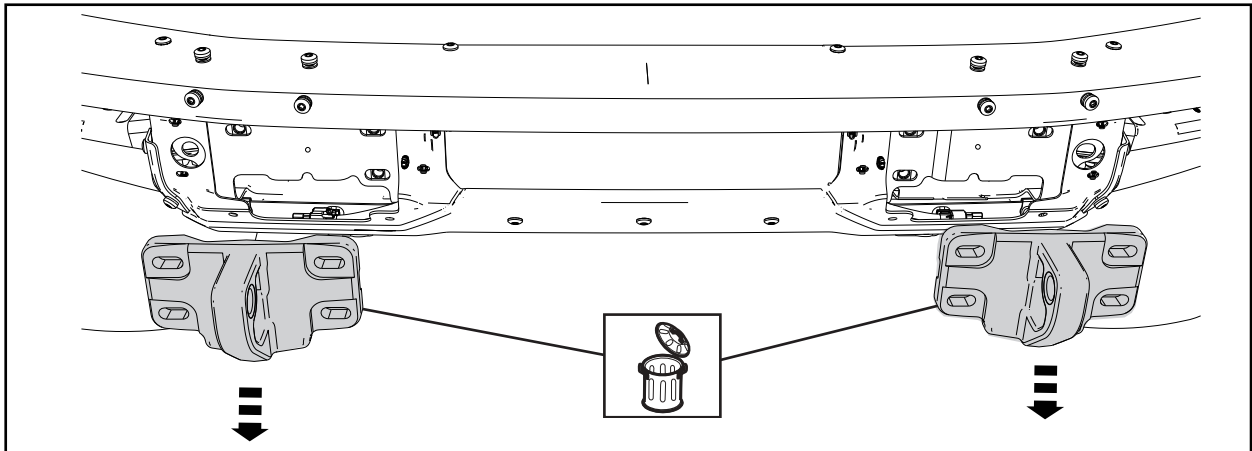
M-1821-B
2021 →
Bronco Off-Road Winch

NO PART OF THIS DOCUMENT MAY BE REPRODUCED WITHOUT PRIOR AGREEMENT AND WRITTEN PERMISSION OF FORD PERFORMANCE PARTS

9. Remove the recovery hook holding bolts. Save the holding bolts for step 13.



10. Remove and discard the recovery hooks.



Ford Factory Shop Manual purchase options www.motorcraftservice.com

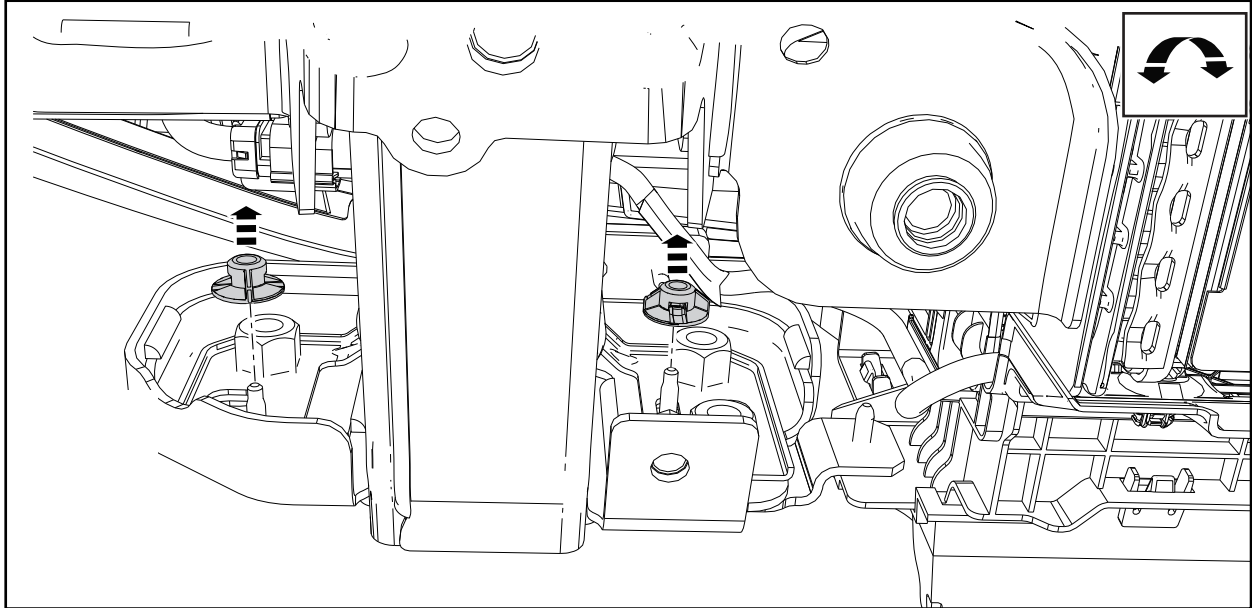


FORD PERFORMANCE

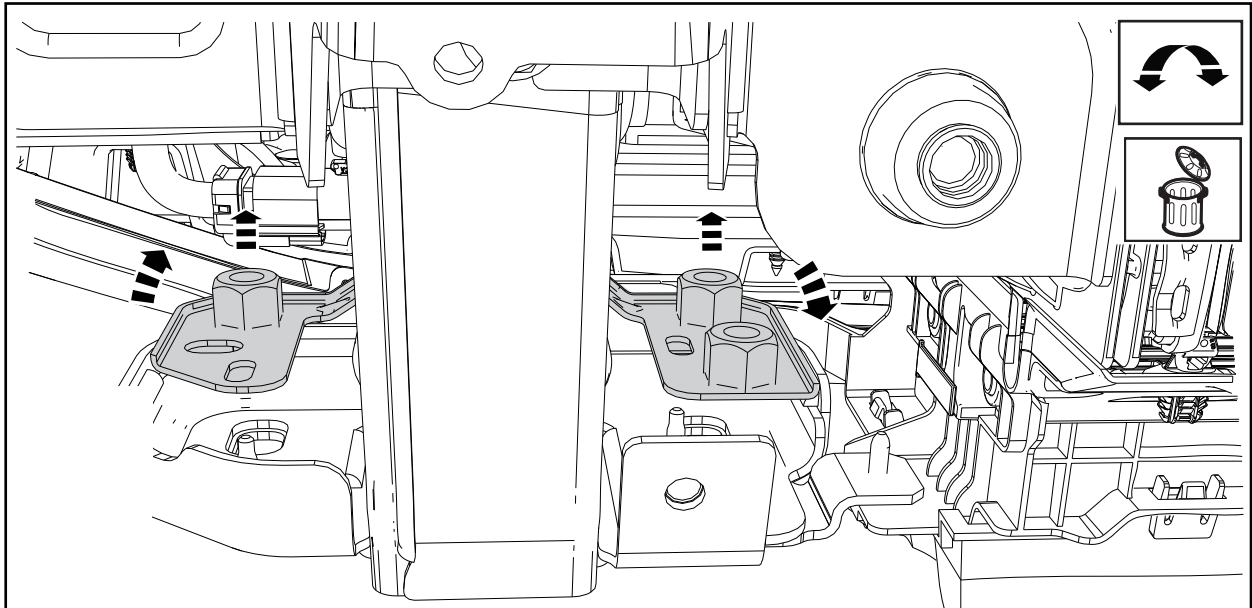
M-1821-B
2021 →
Bronco Off-Road Winch

NO PART OF THIS DOCUMENT MAY BE REPRODUCED WITHOUT PRIOR AGREEMENT AND WRITTEN PERMISSION OF FORD PERFORMANCE PARTS

11. Remove the plastic holding nuts on both sides of the vehicle. Save the plastic holding nuts for step 20.



12. Remove and discard the frame nut plate on both sides of the vehicle.



Ford Factory Shop Manual purchase options www.motorcraftservice.com



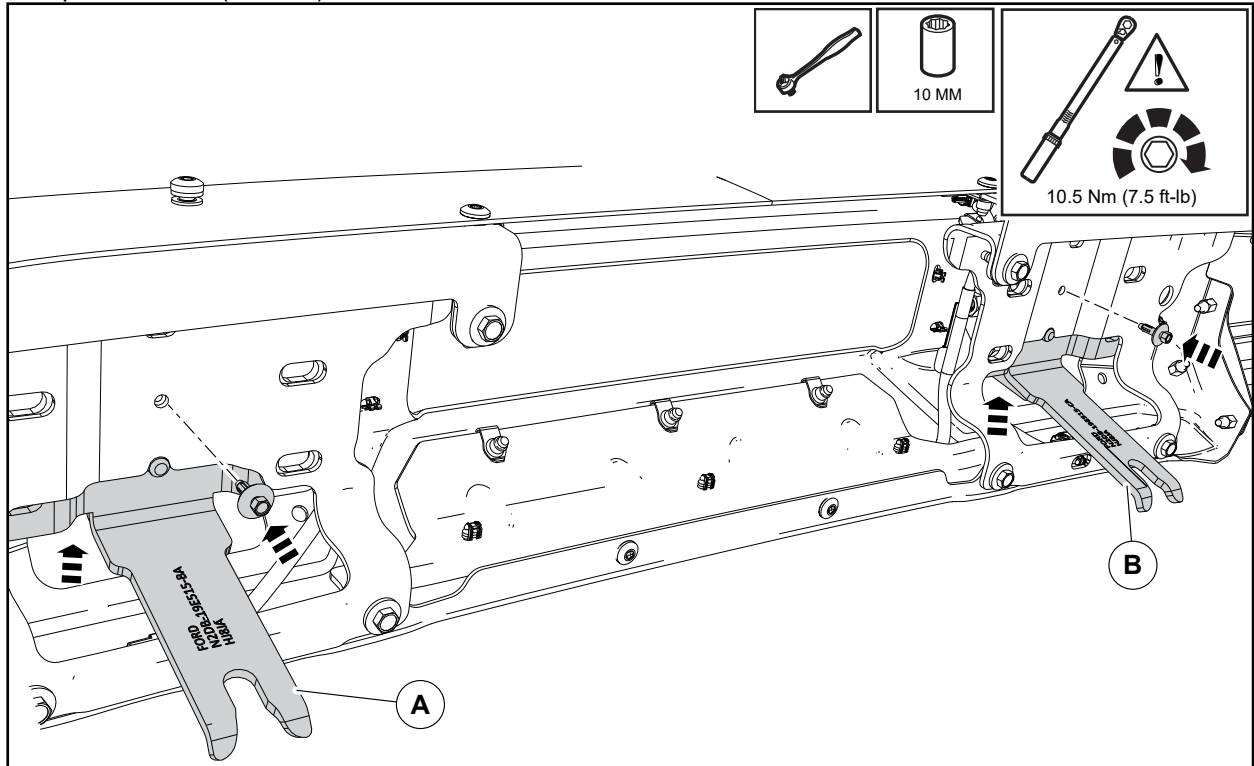
FORD PERFORMANCE

M-1821-B
2021 →
Bronco Off-Road Winch

NO PART OF THIS DOCUMENT MAY BE REPRODUCED WITHOUT PRIOR AGREEMENT AND WRITTEN PERMISSION OF FORD PERFORMANCE PARTS

13. Install the two clevis brackets to the bumper with the weld nuts towards the center of the vehicle. Reuse holding bolts from step 9.

• Torque: 10.5 Nm (7.5 ft-lb)



Ford Factory Shop Manual purchase options www.motorcraftservice.com



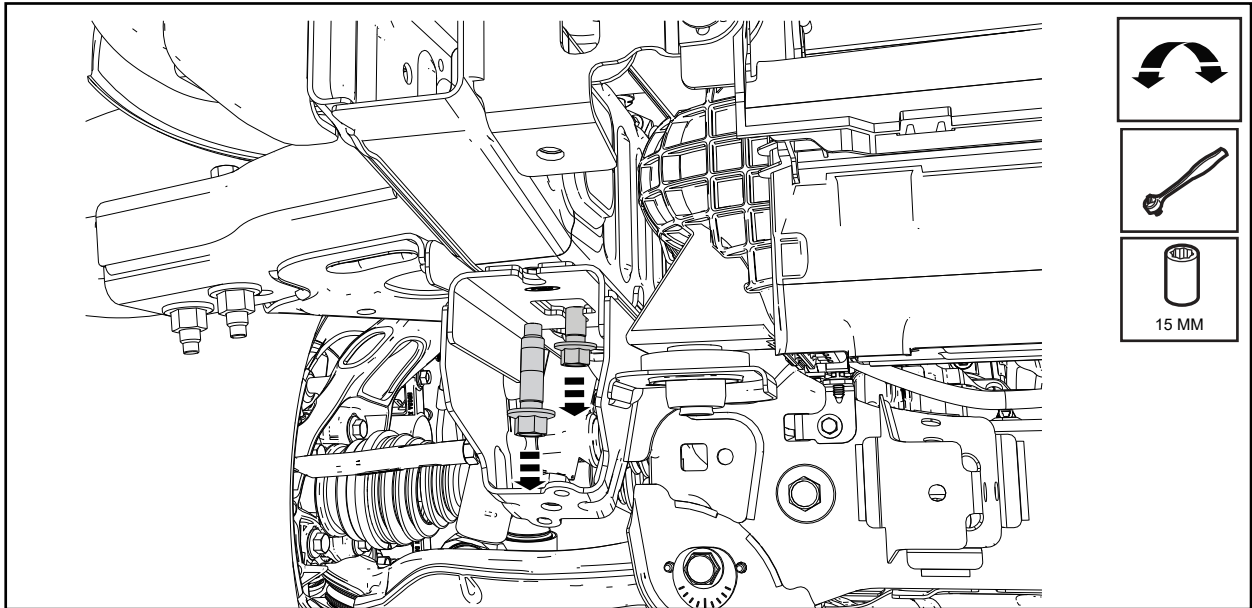
FORD PERFORMANCE

M-1821-B
2021 →
Bronco Off-Road Winch

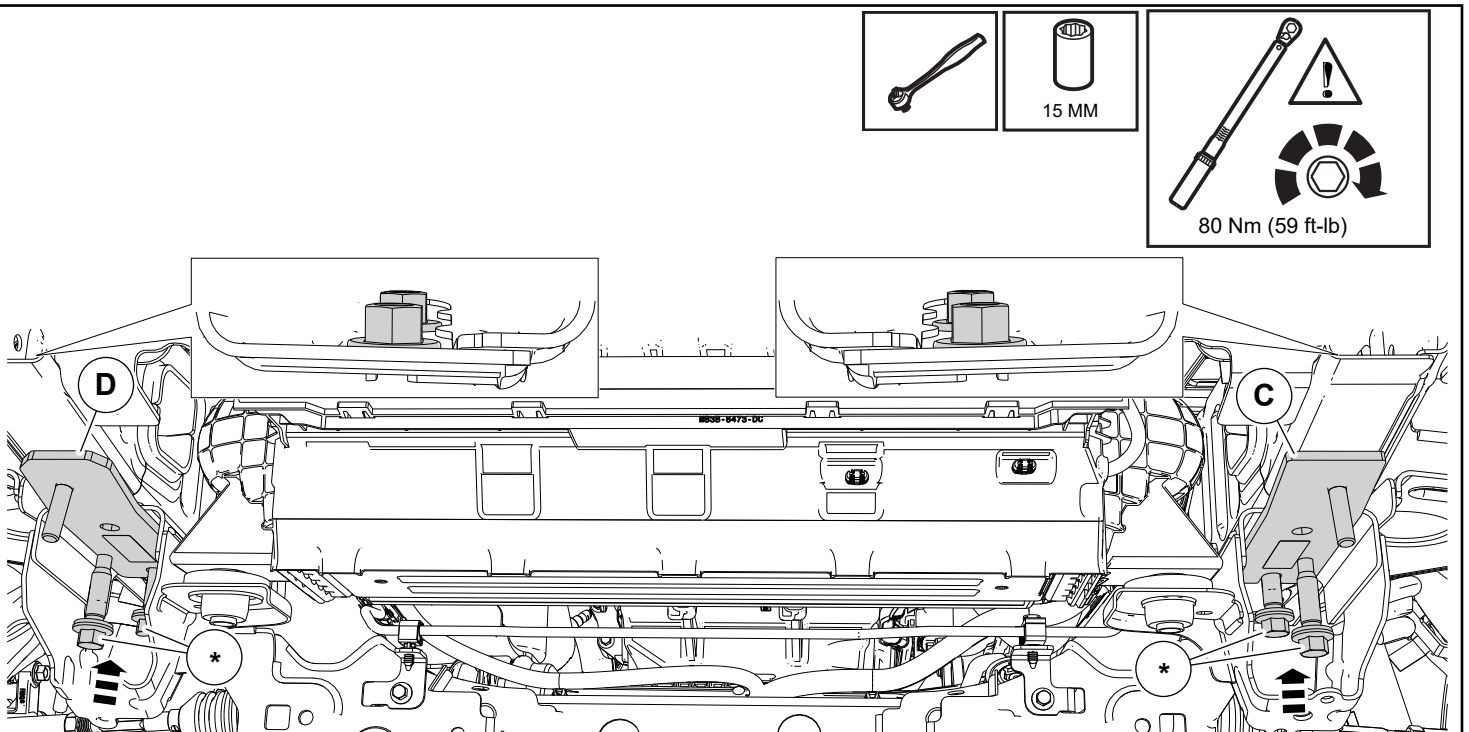
NO PART OF THIS DOCUMENT MAY BE REPRODUCED WITHOUT PRIOR AGREEMENT AND WRITTEN PERMISSION OF FORD PERFORMANCE PARTS

NOTE: Save frame bolts for installation (*).

14. Remove the forward bolt and loosen the rear most bolt to allow a 1/2" (13mm) gap to insert the CAC bracket. Perform this step on both sides.



15. Install the winch CAC bracket and reinstall the front bolts and re-torque all frame bolts saved from step 14 to the frame.



Ford Factory Shop Manual purchase options www.motorcraftservice.com

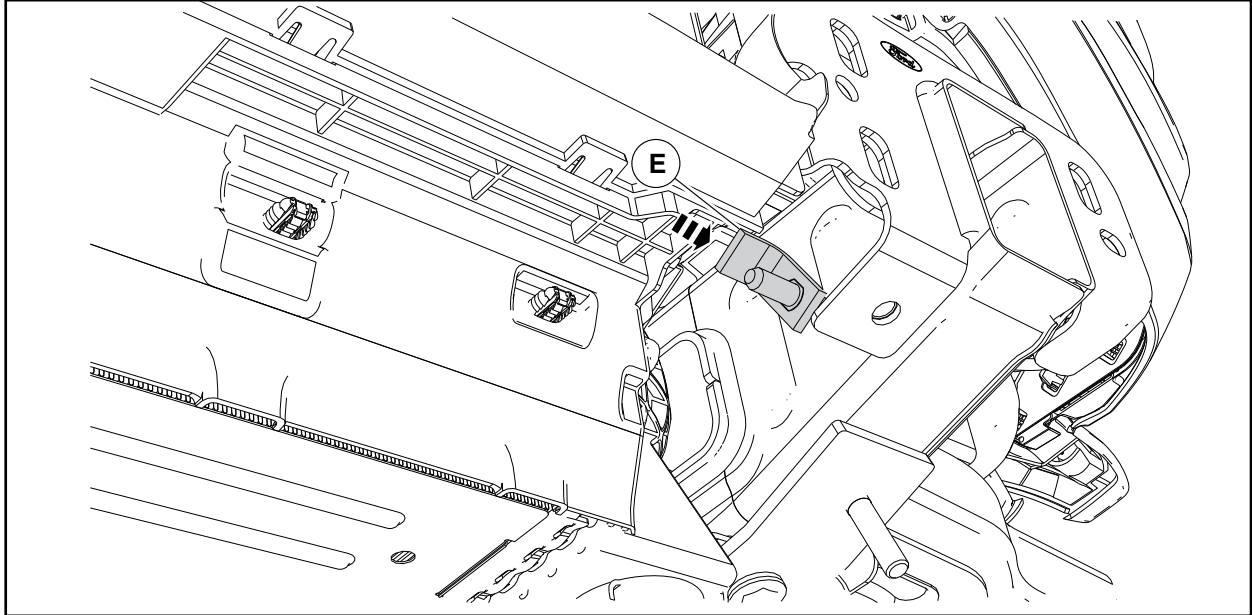


FORD PERFORMANCE

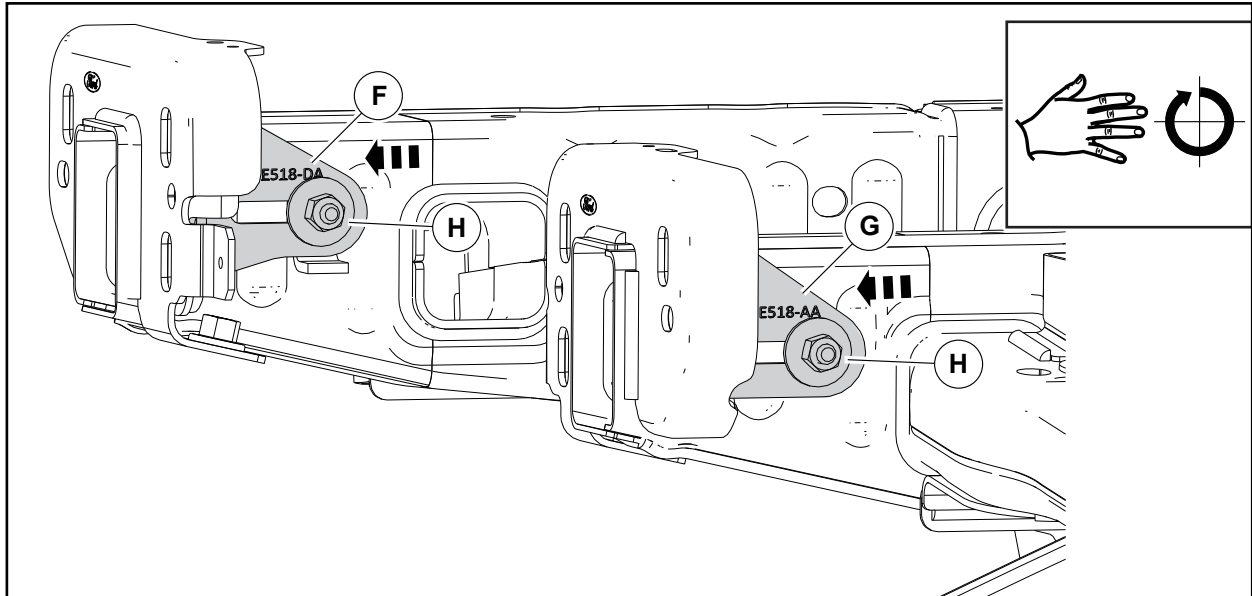
M-1821-B
2021 →
Bronco Off-Road Winch

NO PART OF THIS DOCUMENT MAY BE REPRODUCED WITHOUT PRIOR AGREEMENT AND WRITTEN PERMISSION OF FORD PERFORMANCE PARTS

16. Install the shoulder bolt into the frame rail. Perform this step on both sides of the vehicle.



17. Install the left hand inner and outer bracket to the frame rail. Hand tighten the nuts at this time.



Ford Factory Shop Manual purchase options www.motorcraftservice.com

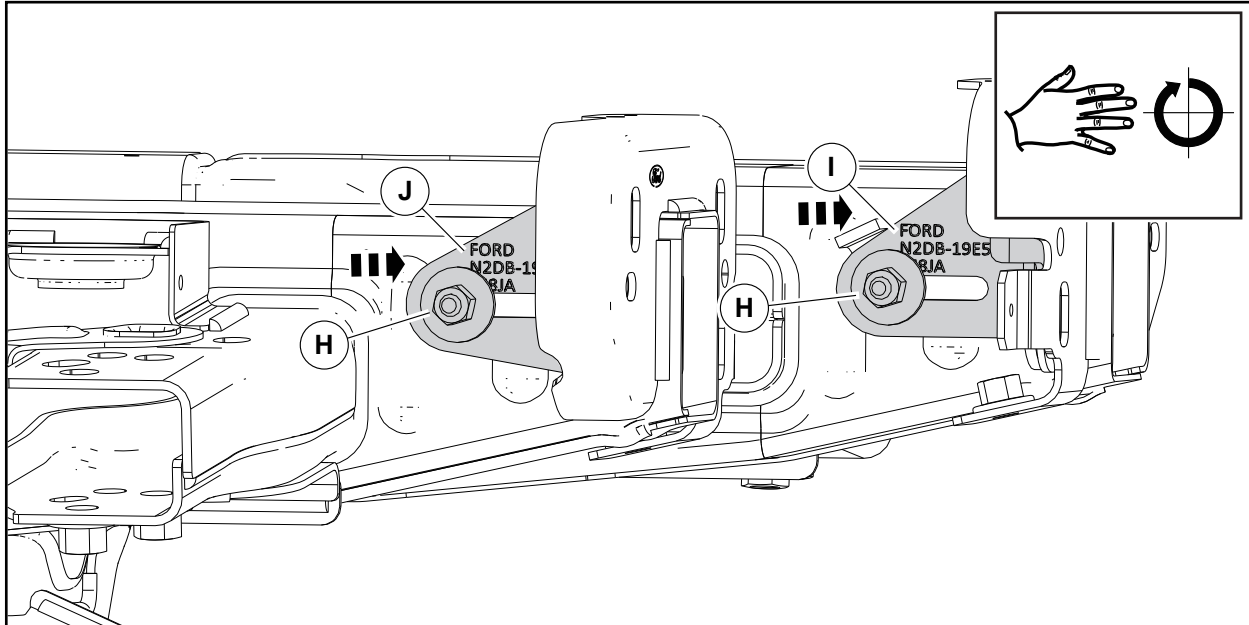


FORD PERFORMANCE

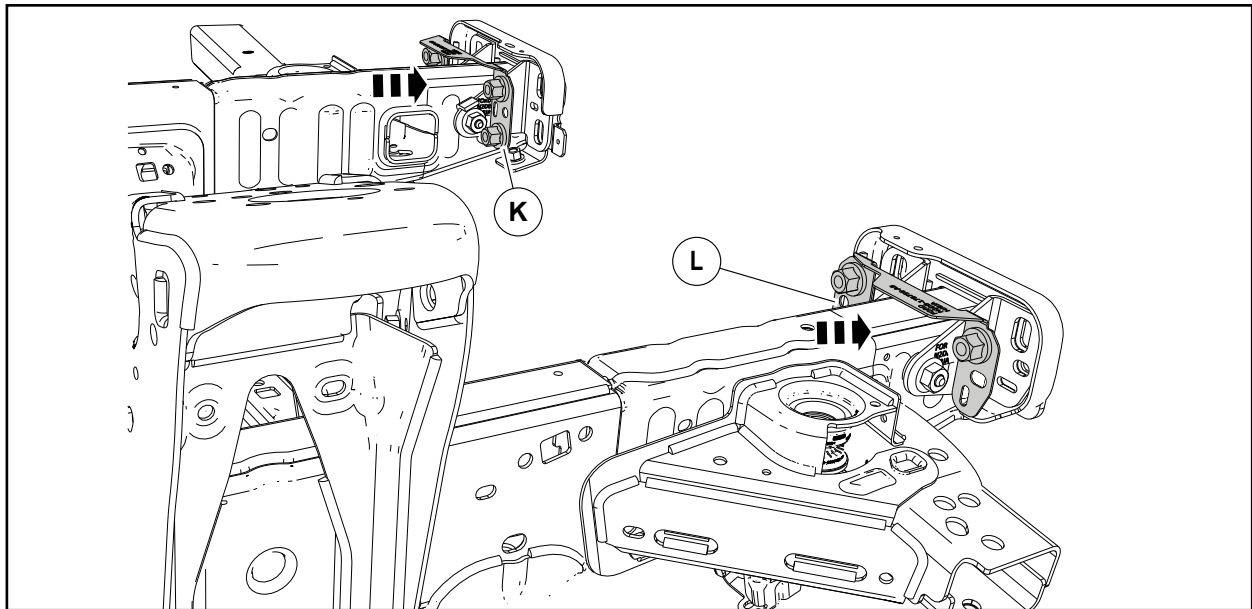
M-1821-B
2021 →
Bronco Off-Road Winch

NO PART OF THIS DOCUMENT MAY BE REPRODUCED WITHOUT PRIOR AGREEMENT AND WRITTEN PERMISSION OF FORD PERFORMANCE PARTS

18. Install the right hand inner and outer bracket to the frame rail. Hand tighten the nuts at this time.



19. Install the frame rail bracket.



Ford Factory Shop Manual purchase options www.motorcraftservice.com



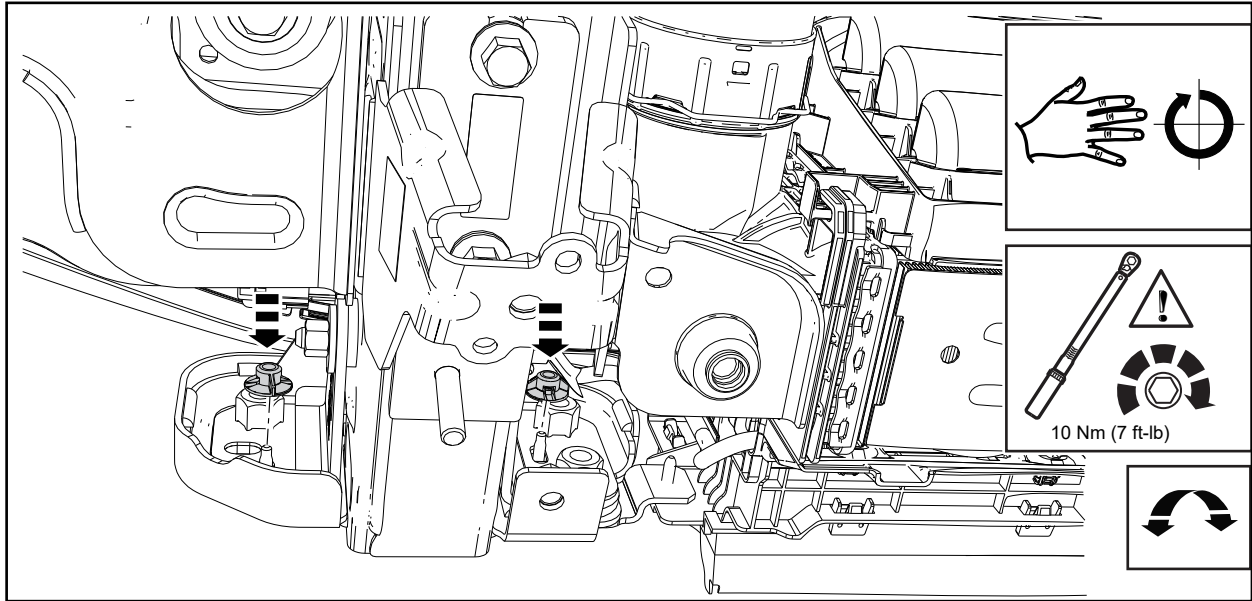
FORD PERFORMANCE

M-1821-B
2021 →
Bronco Off-Road Winch

NO PART OF THIS DOCUMENT MAY BE REPRODUCED WITHOUT PRIOR AGREEMENT AND WRITTEN PERMISSION OF FORD PERFORMANCE PARTS

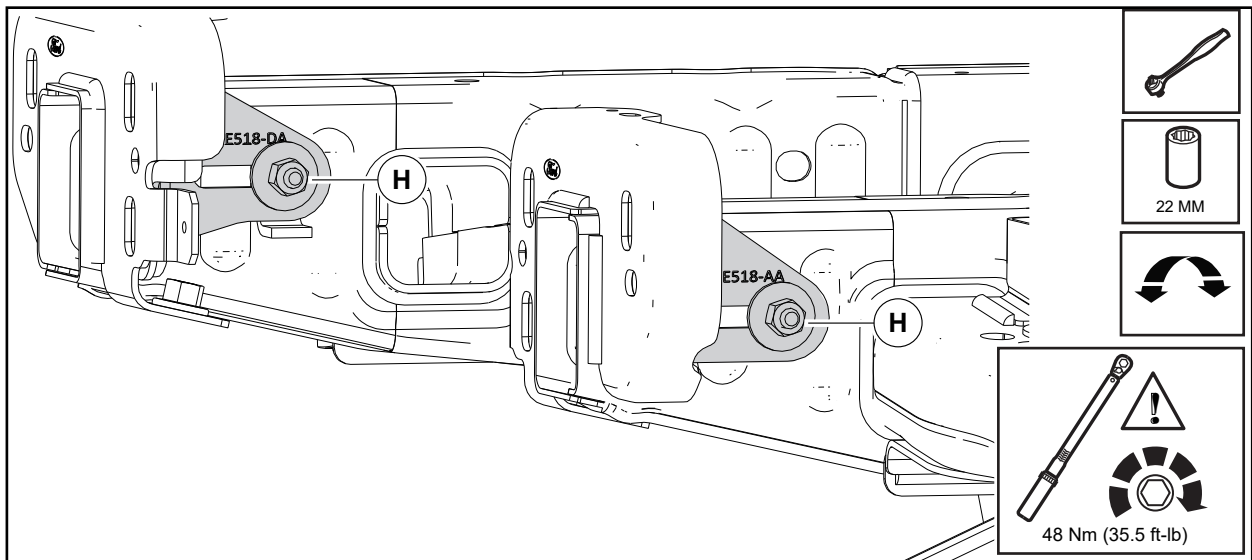
20. Starting by hand, install the plastic holding nuts. Perform this step on both sides. Reuse the plastic holding nuts from step 11.

- Torque: 10 Nm (7 ft-lb)



21. Tighten all 4 inner and outer brackets nuts.

- Torque: 48 Nm (35.5 ft-lb)



Ford Factory Shop Manual purchase options www.motorcraftservice.com

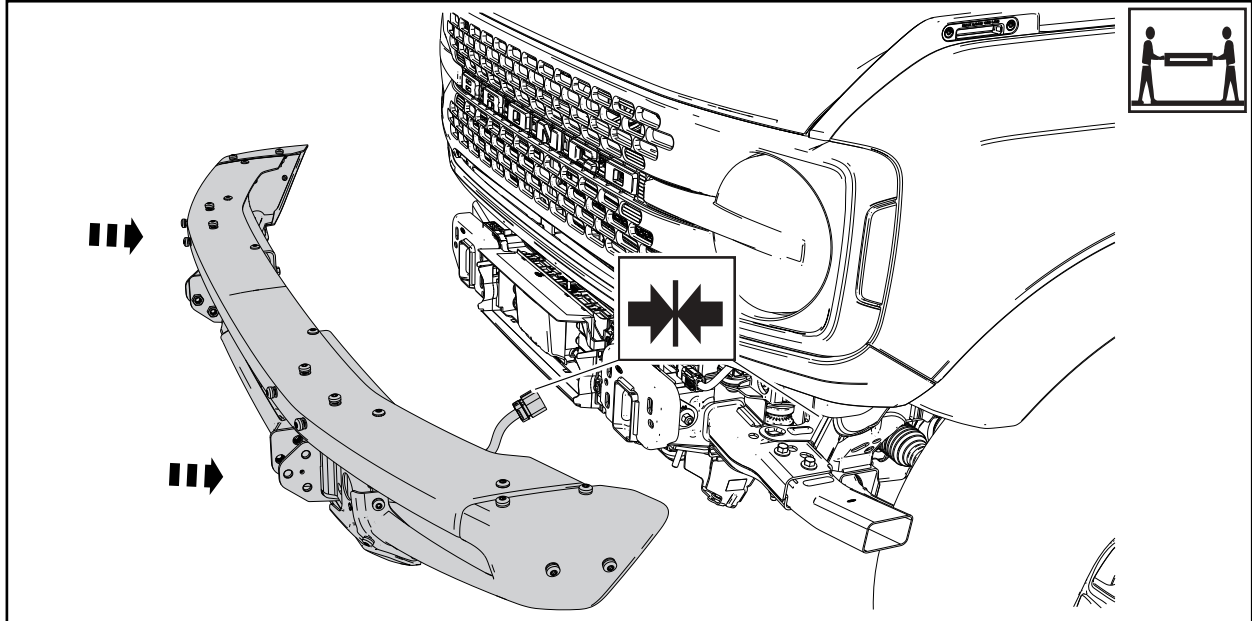


FORD PERFORMANCE

M-1821-B
2021 →
Bronco Off-Road Winch

NO PART OF THIS DOCUMENT MAY BE REPRODUCED WITHOUT PRIOR AGREEMENT AND WRITTEN PERMISSION OF FORD PERFORMANCE PARTS

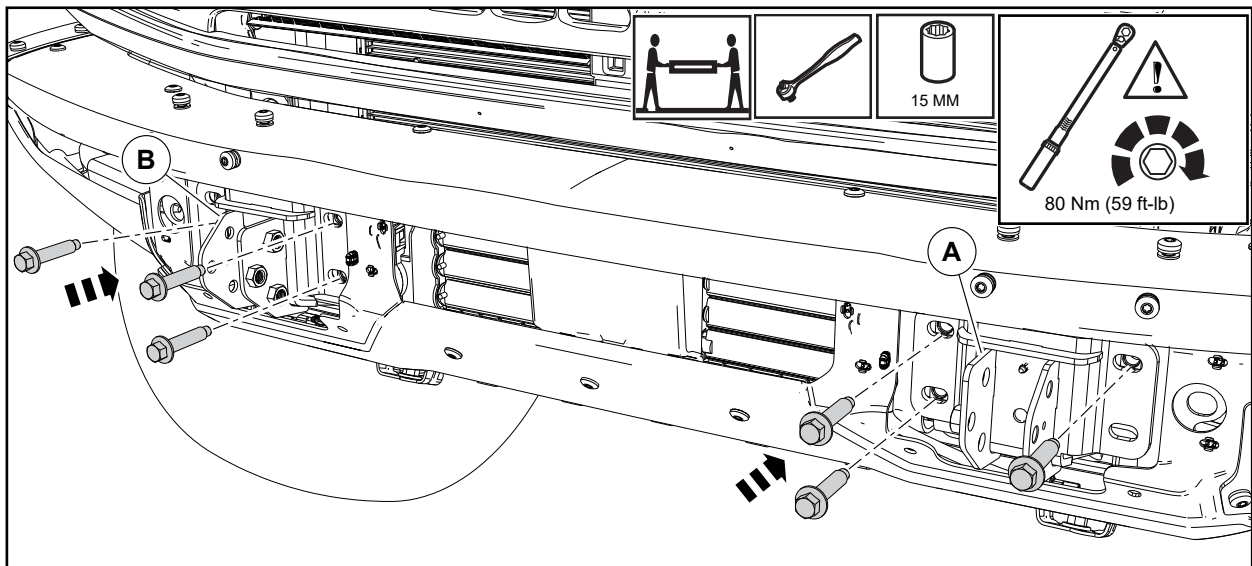
22. Install the front bumper and if equipped connect the electrical connector.



NOTE: Bolts saved from step 6.

23. Install the front bumper retainers.

- Torque: 80 Nm (59 ft-lb)

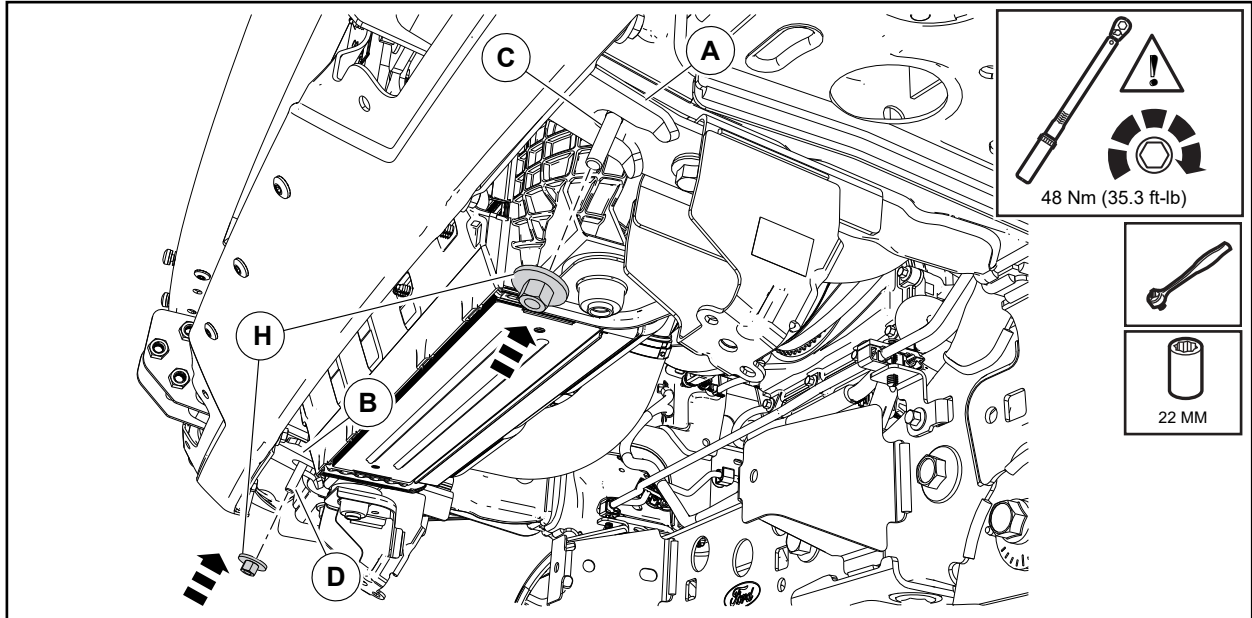


Ford Factory Shop Manual purchase options www.motorcraftservice.com

NO PART OF THIS DOCUMENT MAY BE REPRODUCED WITHOUT PRIOR AGREEMENT AND WRITTEN PERMISSION OF FORD PERFORMANCE PARTS

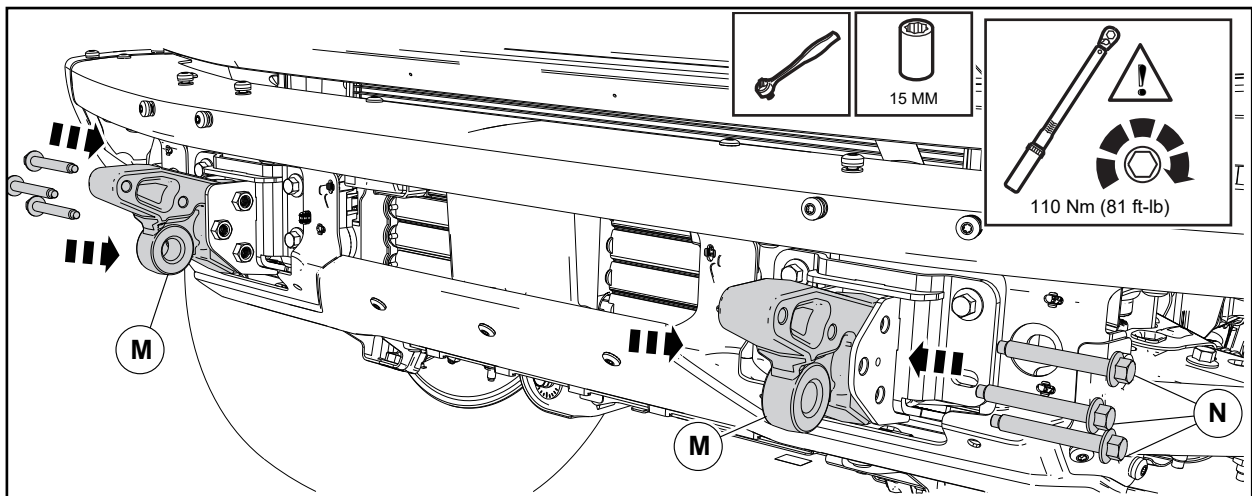
24. Install the clevis bracket nuts.

- Torque: 48 Nm (35.3 ft-lb)



25. Install the recover forging into the clevis bracket.

- Torque: 110 Nm (81 ft-lb)



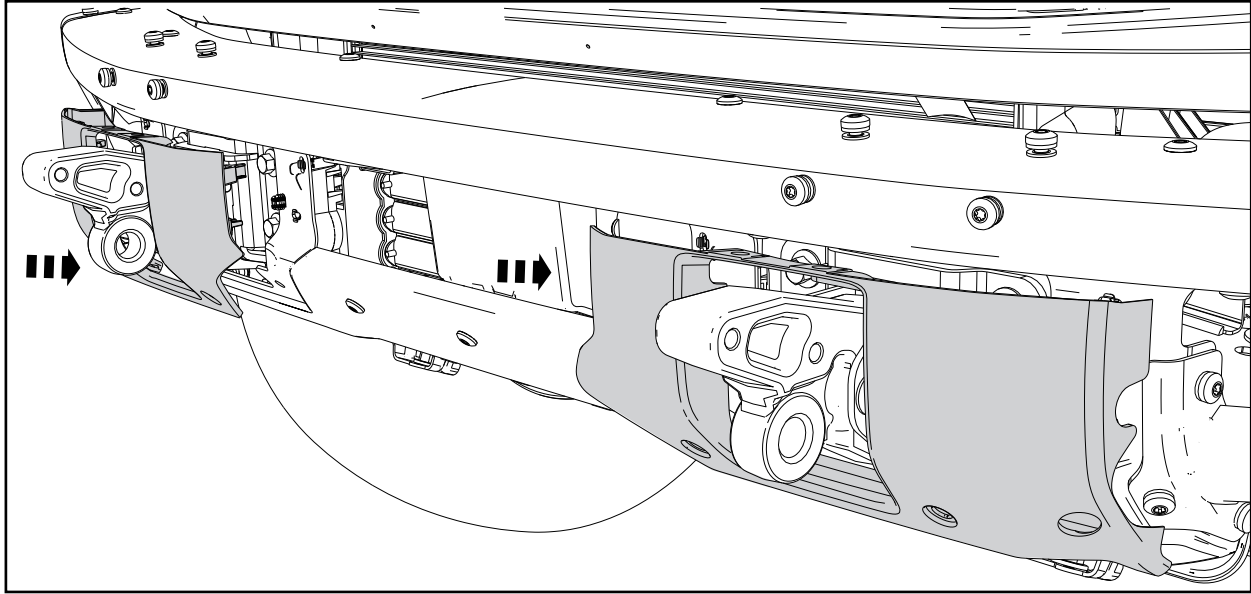


FORD PERFORMANCE

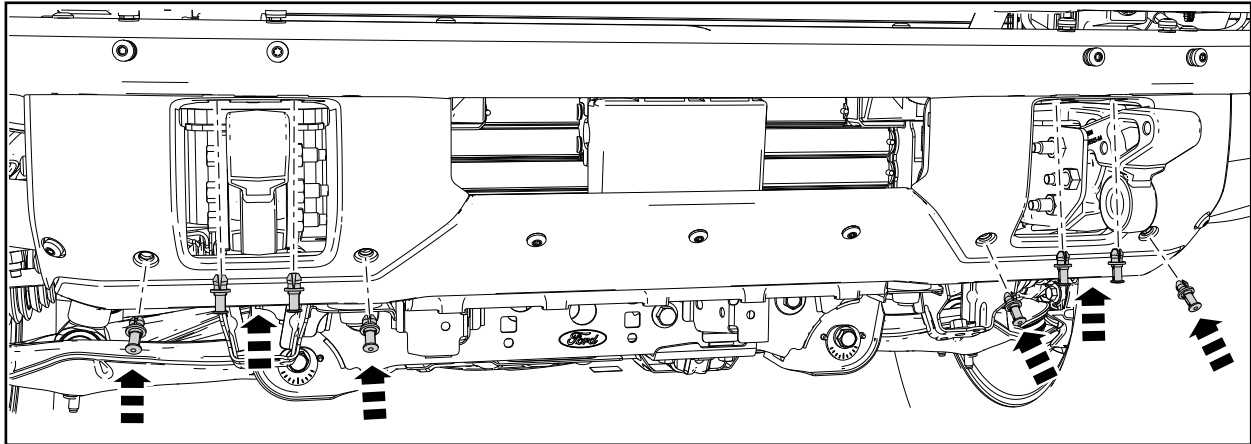
M-1821-B
2021 →
Bronco Off-Road Winch

NO PART OF THIS DOCUMENT MAY BE REPRODUCED WITHOUT PRIOR AGREEMENT AND WRITTEN PERMISSION OF FORD PERFORMANCE PARTS

26. Install the front bumper trim panels.



27. Install the front bumper trim panel push pins. Reuse the trim panel push pins from step 2.



Ford Factory Shop Manual purchase options www.motorcraftservice.com



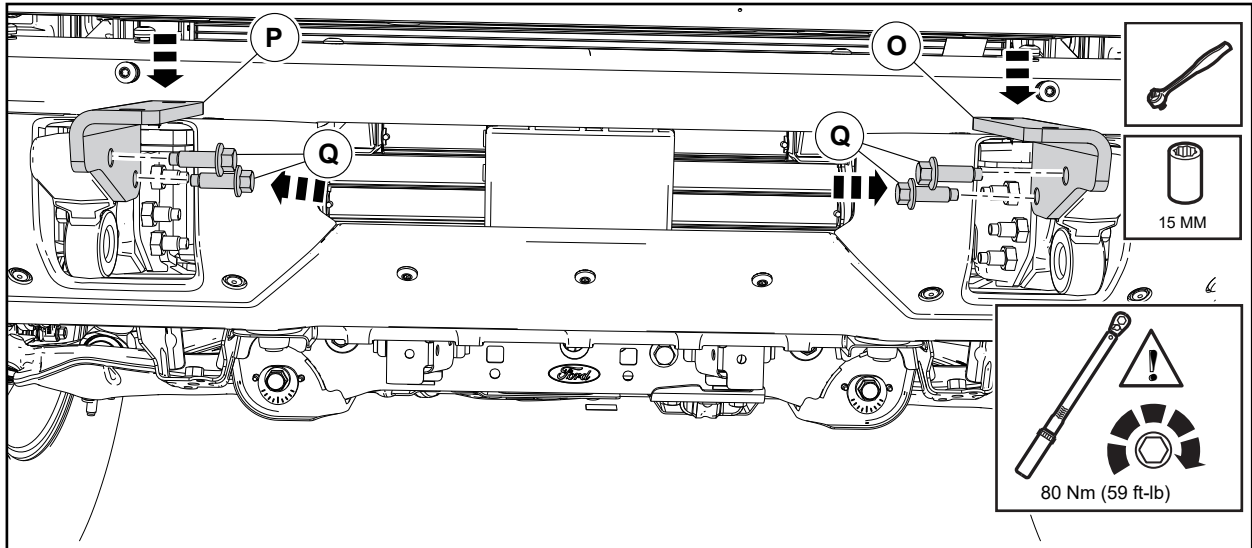
FORD PERFORMANCE

M-1821-B
2021 →
Bronco Off-Road Winch

NO PART OF THIS DOCUMENT MAY BE REPRODUCED WITHOUT PRIOR AGREEMENT AND WRITTEN PERMISSION OF FORD PERFORMANCE PARTS

28. Install the recovery forging mounting bracket.

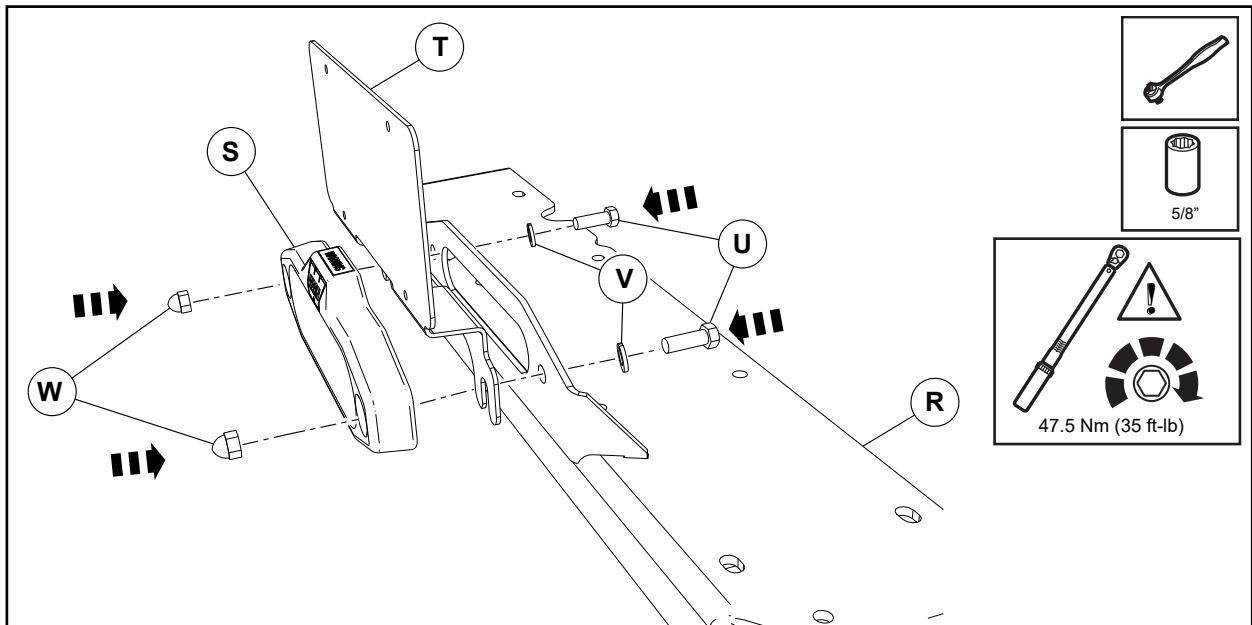
- Torque: 80 Nm (59 ft-lb)



NOTE: Installation of license plate bracket is optional depending on local regulations.

29. Install the fairlead to the winch plate.

- Torque: 47.5 Nm (35 ft-lb)



Ford Factory Shop Manual purchase options www.motorcraftservice.com

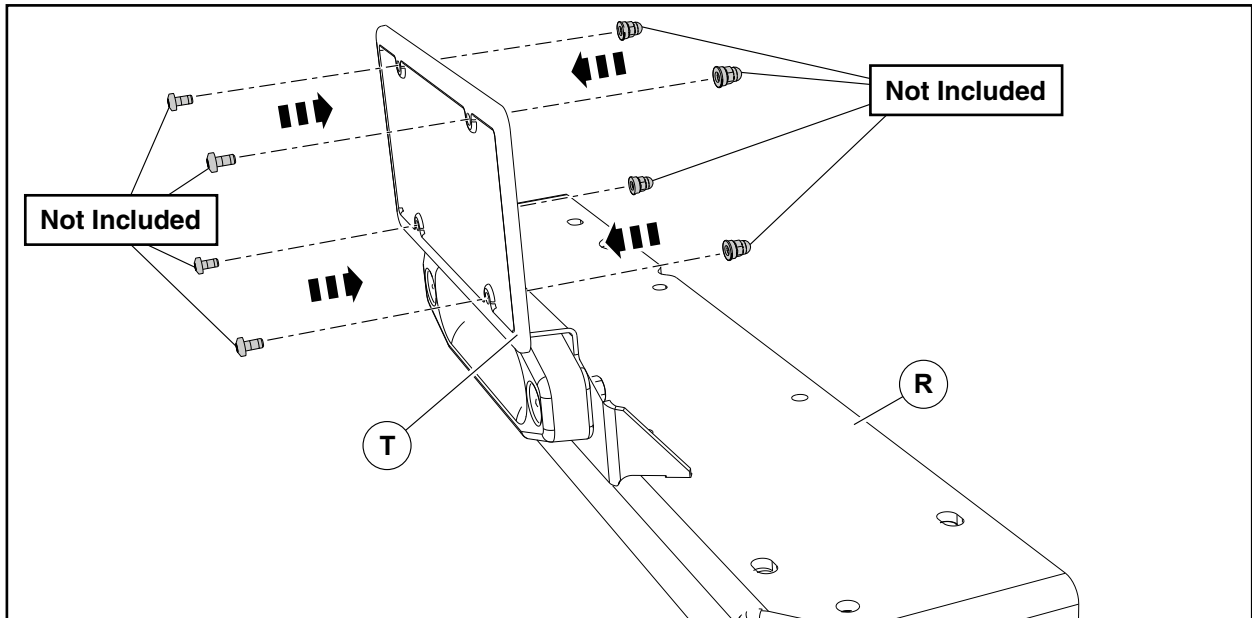


FORD PERFORMANCE

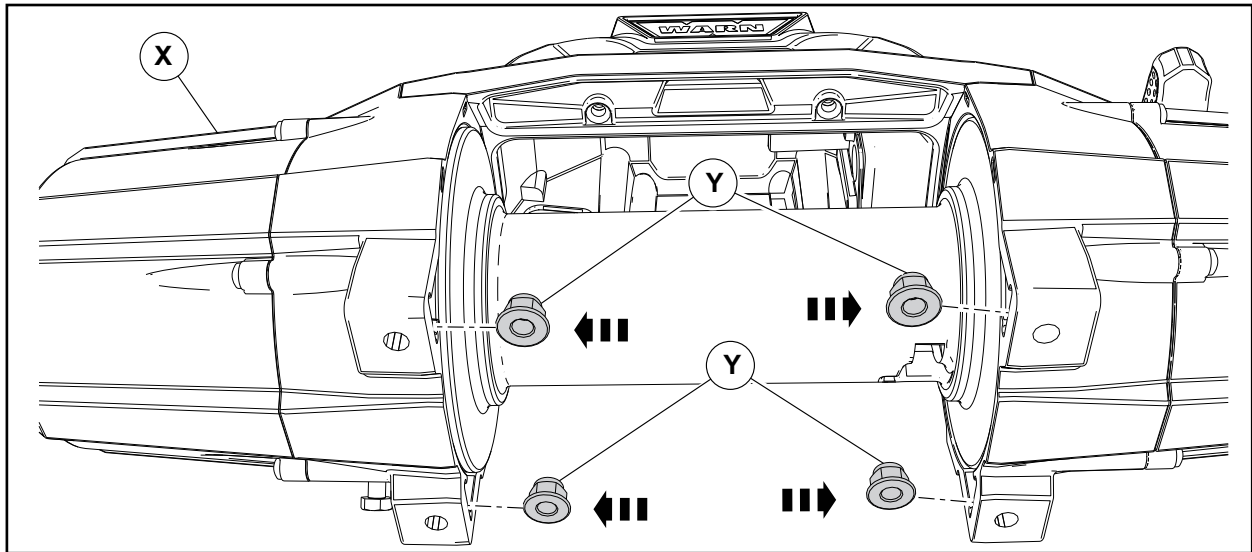
M-1821-B
2021 →
Bronco Off-Road Winch

NO PART OF THIS DOCUMENT MAY BE REPRODUCED WITHOUT PRIOR AGREEMENT AND WRITTEN PERMISSION OF FORD PERFORMANCE PARTS

30. If equipped, install the license plate to license plate mounting bracket retainers.



31. Install the winch mounting nuts into the winch housing slots.



Ford Factory Shop Manual purchase options www.motorcraftservice.com



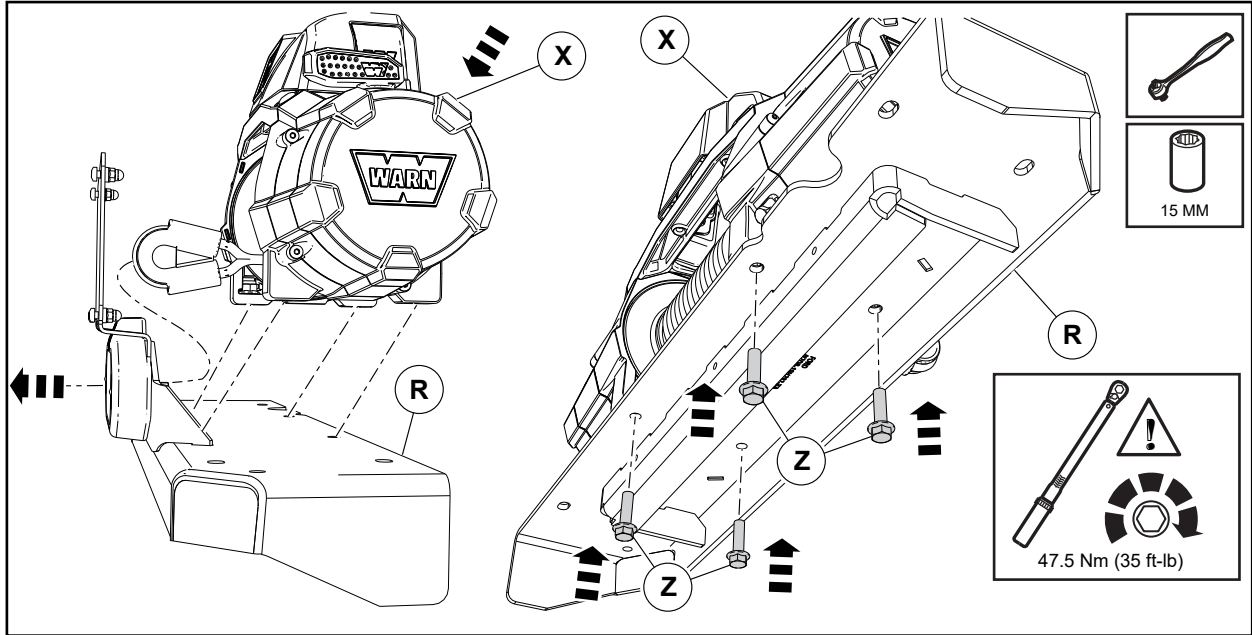
FORD PERFORMANCE

M-1821-B
2021 →
Bronco Off-Road Winch

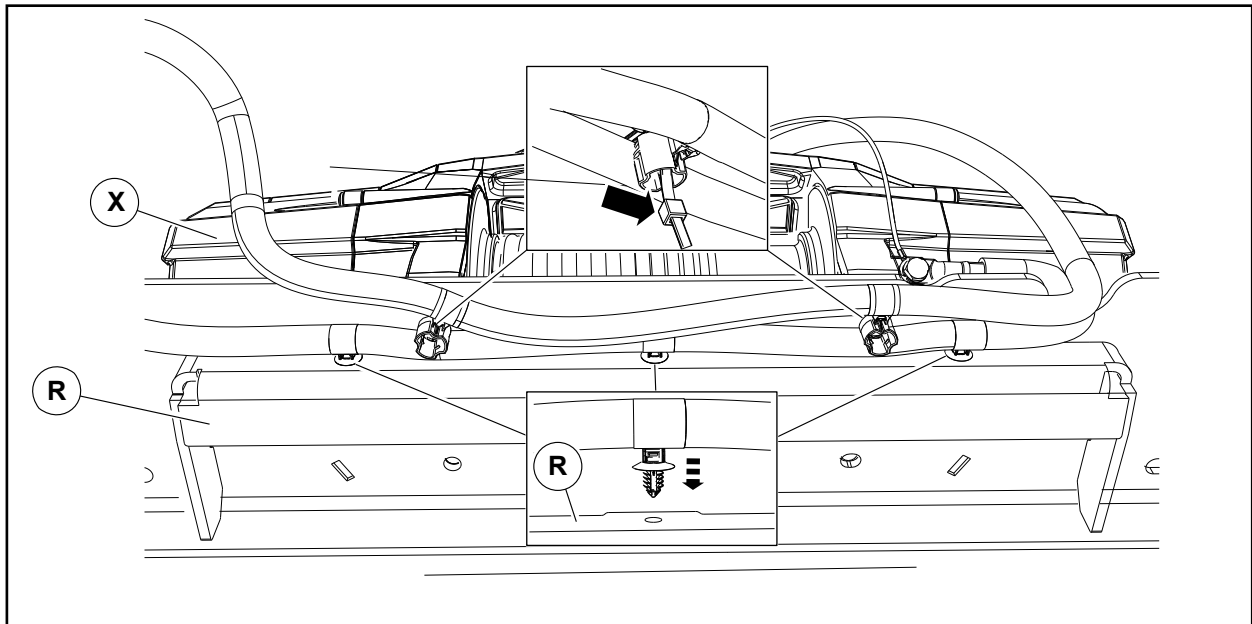
NO PART OF THIS DOCUMENT MAY BE REPRODUCED WITHOUT PRIOR AGREEMENT AND WRITTEN PERMISSION OF FORD PERFORMANCE PARTS

32. Route the winch rope through the fairlead and install the winch to the winch plate.

• Torque: 47.5 Nm (35 ft-lb)



33. Engage the winch wire harness push pin retainers into the winch plate and secure the two cables together using dealer supplied tie straps..



Ford Factory Shop Manual purchase options www.motorcraftservice.com

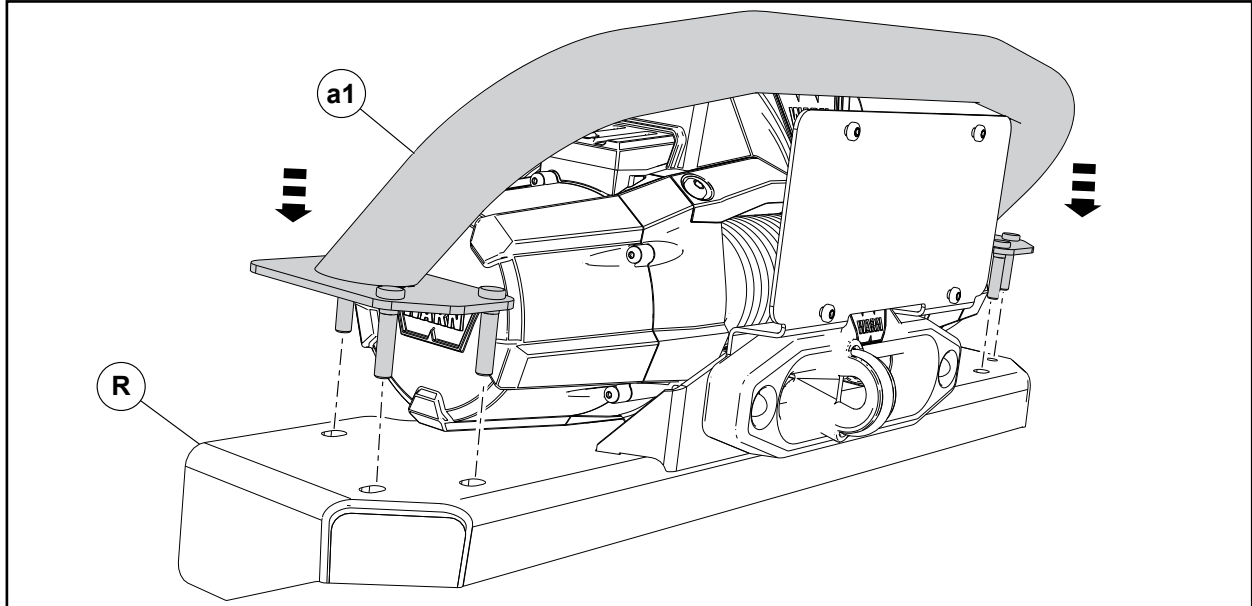


FORD PERFORMANCE

M-1821-B
2021 →
Bronco Off-Road Winch

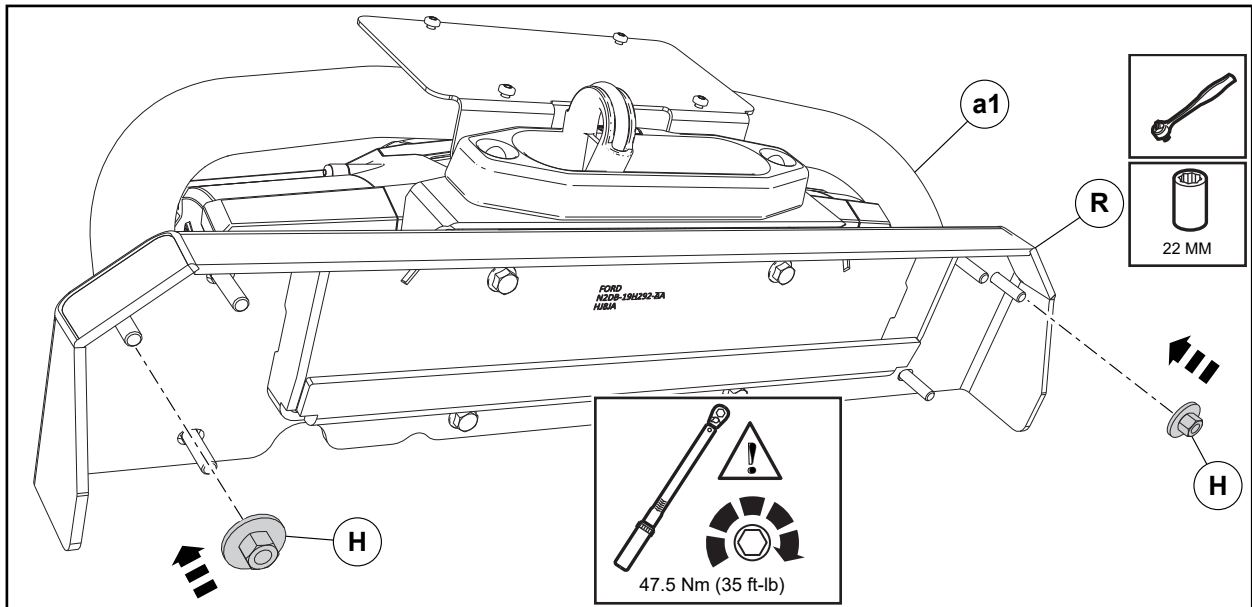
NO PART OF THIS DOCUMENT MAY BE REPRODUCED WITHOUT PRIOR AGREEMENT AND WRITTEN PERMISSION OF FORD PERFORMANCE PARTS

34. Install the brush bar to the winch plate.



35. Install the brush bar outboard nut.

• Torque: 47.5 Nm (35 ft-lb)



Ford Factory Shop Manual purchase options www.motorcraftservice.com



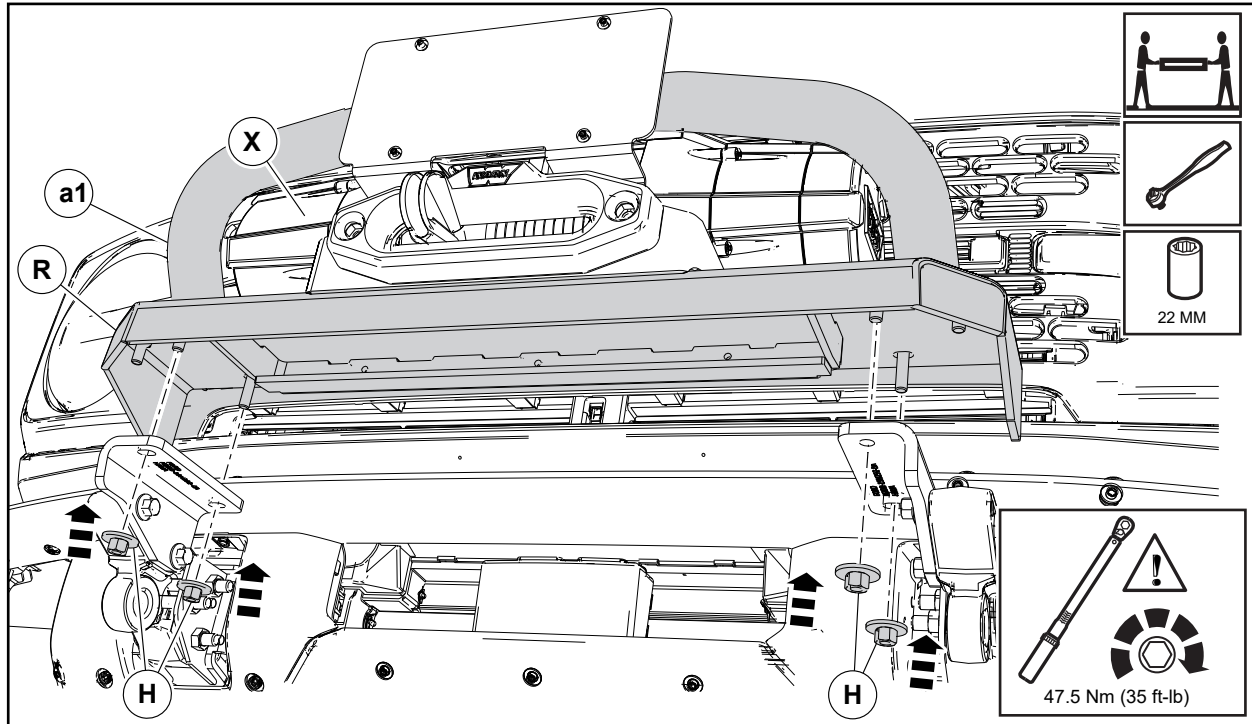
FORD PERFORMANCE

M-1821-B
2021 →
Bronco Off-Road Winch

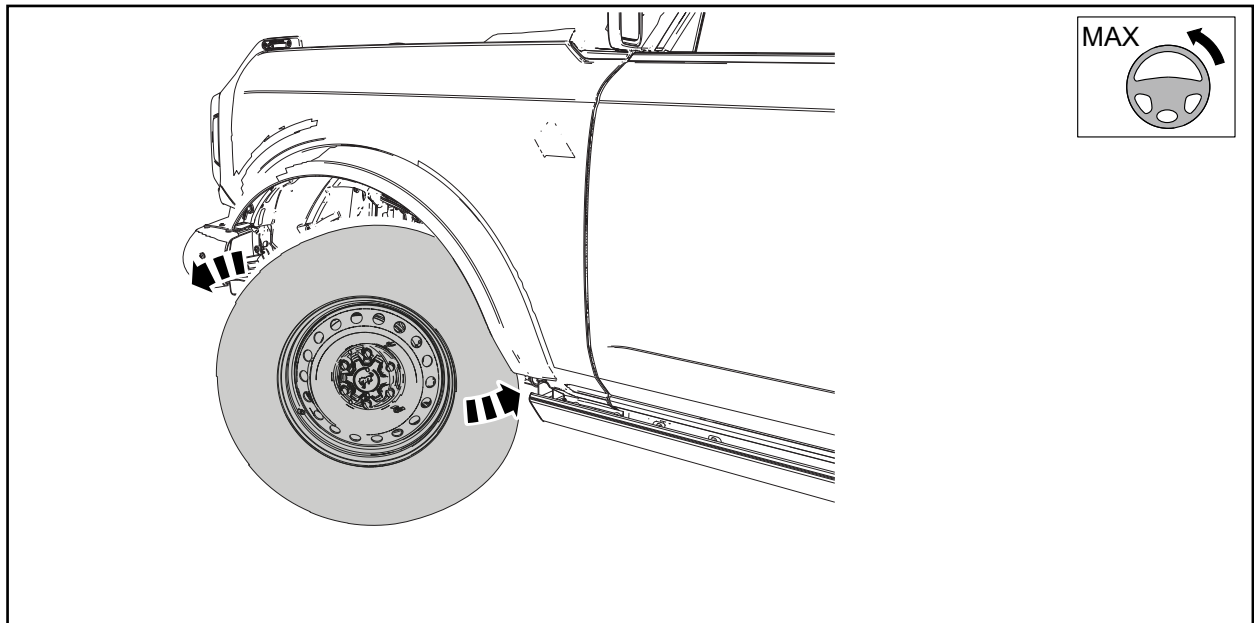
NO PART OF THIS DOCUMENT MAY BE REPRODUCED WITHOUT PRIOR AGREEMENT AND WRITTEN PERMISSION OF FORD PERFORMANCE PARTS

36. Install the winch assembly to the recovery forging mounting brackets.

- Torque: 47.5 Nm (35 ft-lb)



37. Turn the steering wheel to a full left turn.



Ford Factory Shop Manual purchase options www.motorcraftservice.com

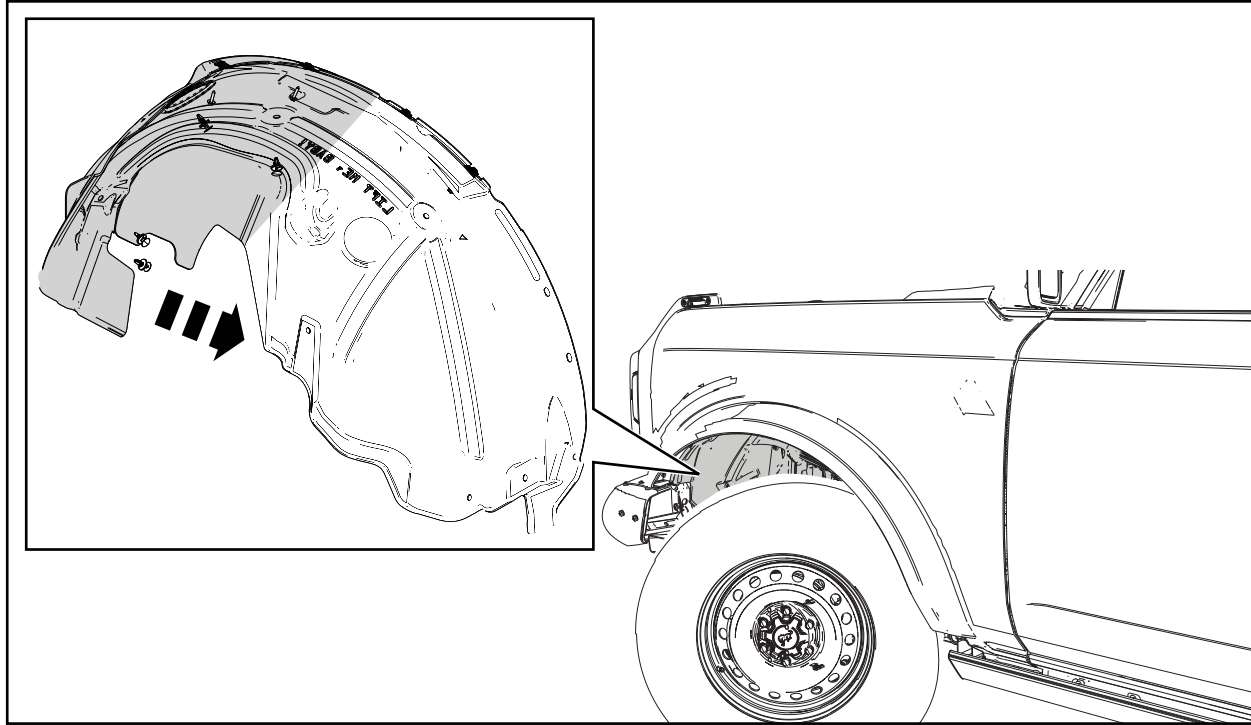


FORD PERFORMANCE

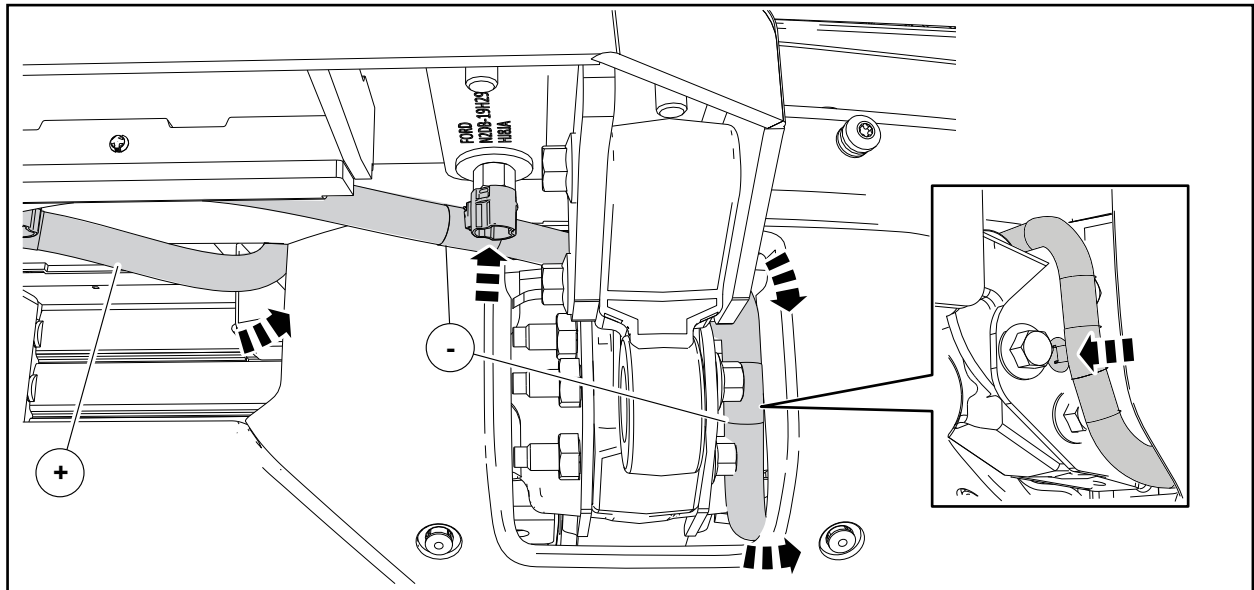
M-1821-B
2021 →
Bronco Off-Road Winch

NO PART OF THIS DOCUMENT MAY BE REPRODUCED WITHOUT PRIOR AGREEMENT AND WRITTEN PERMISSION OF FORD PERFORMANCE PARTS

38. Remove the retainers of the front splash shield and fold it back to install and secure the cables. Save the retainers for step 48.



39. Route the positive battery cable under the winch plate and through the left hand side of the center bumper opening. Route the negative cable over top of the left hand recovery forging. Ensure cable is secured to the outer clevis bracket.



Ford Factory Shop Manual purchase options www.motorcraftservice.com

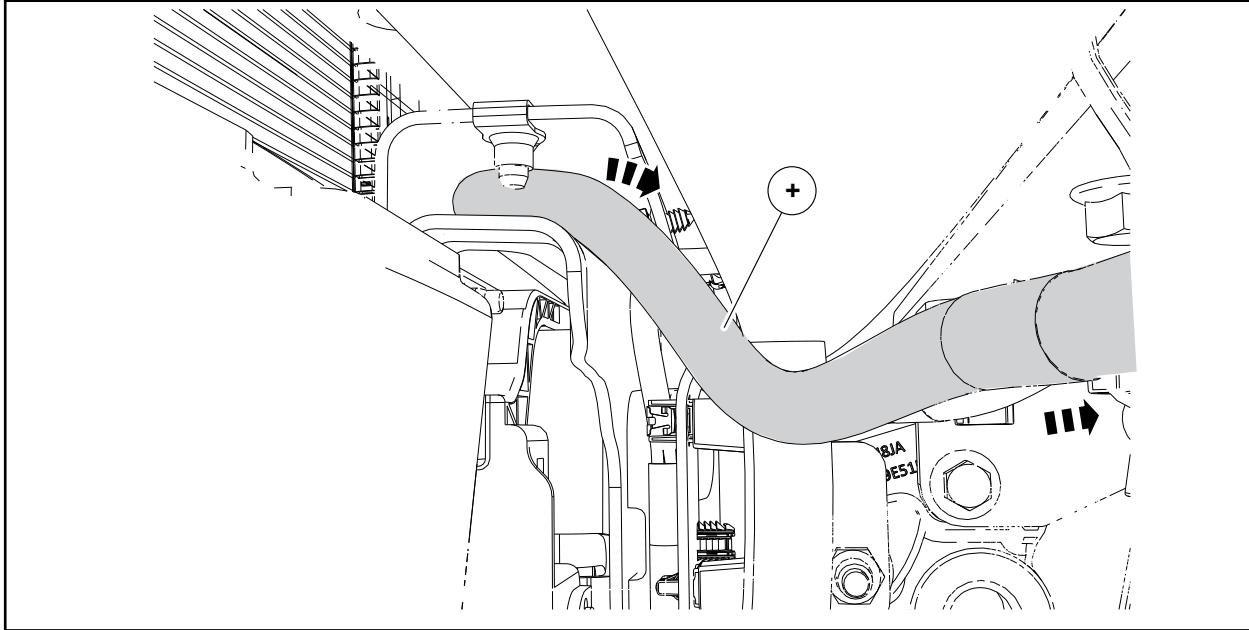


FORD PERFORMANCE

M-1821-B
2021 →
Bronco Off-Road Winch

NO PART OF THIS DOCUMENT MAY BE REPRODUCED WITHOUT PRIOR AGREEMENT AND WRITTEN PERMISSION OF FORD PERFORMANCE PARTS

40. Route the positive cable through the frame towards the left hand side of the vehicle.



Ford Factory Shop Manual purchase options www.motorcraftservice.com

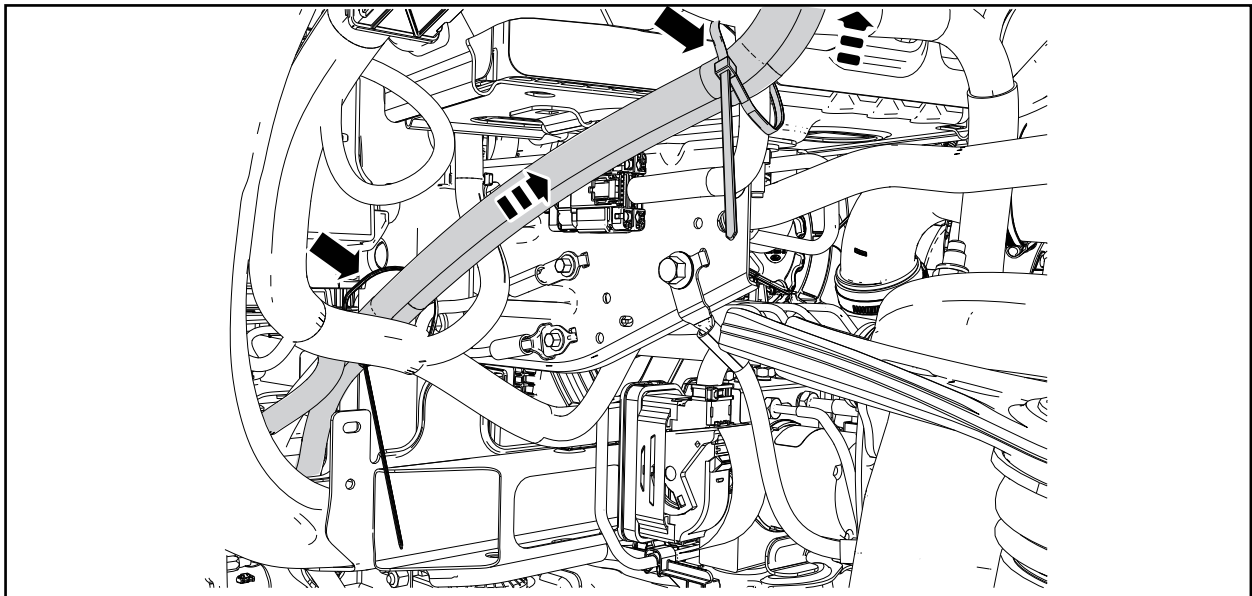
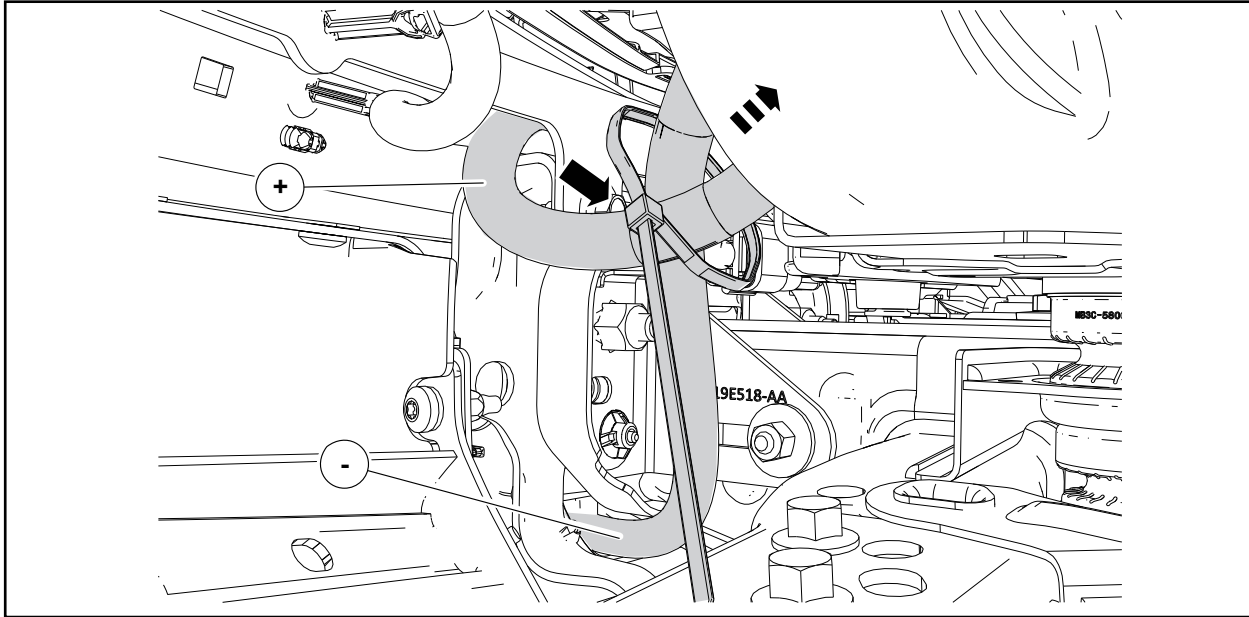


FORD PERFORMANCE

M-1821-B
2021 →
Bronco Off-Road Winch

NO PART OF THIS DOCUMENT MAY BE REPRODUCED WITHOUT PRIOR AGREEMENT AND WRITTEN PERMISSION OF FORD PERFORMANCE PARTS

41. Route the positive and negative cables upwards towards the battery. Secure the cables to the existing wiring harness using dealer supplied tie straps.



Ford Factory Shop Manual purchase options www.motorcraftservice.com

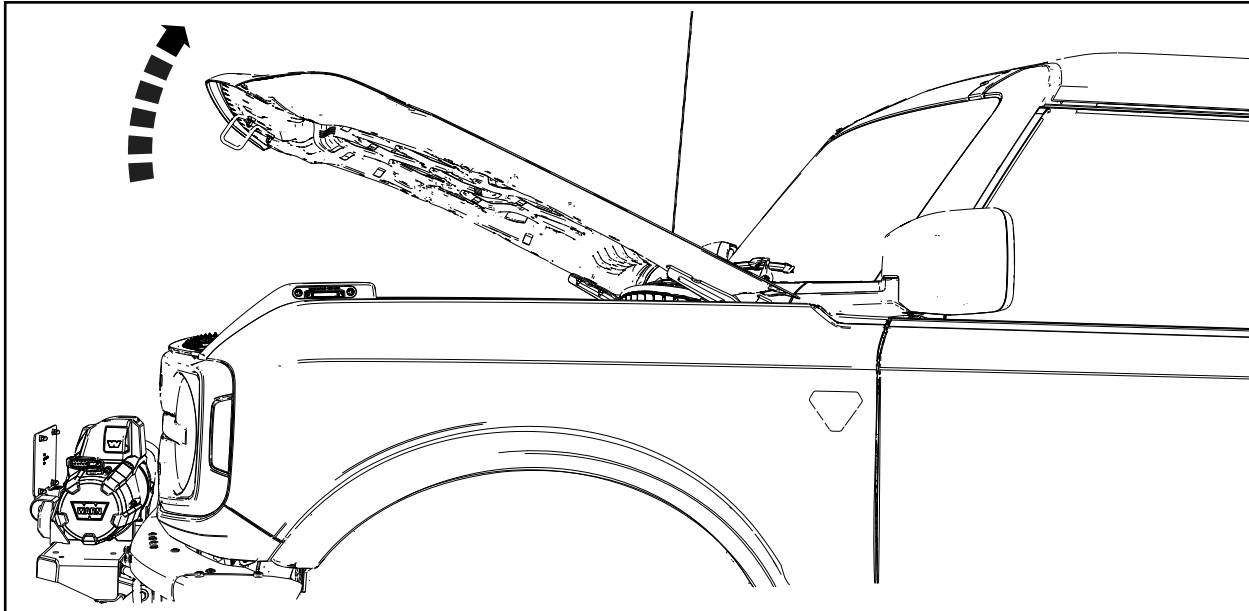


FORD PERFORMANCE

M-1821-B
2021 →
Bronco Off-Road Winch

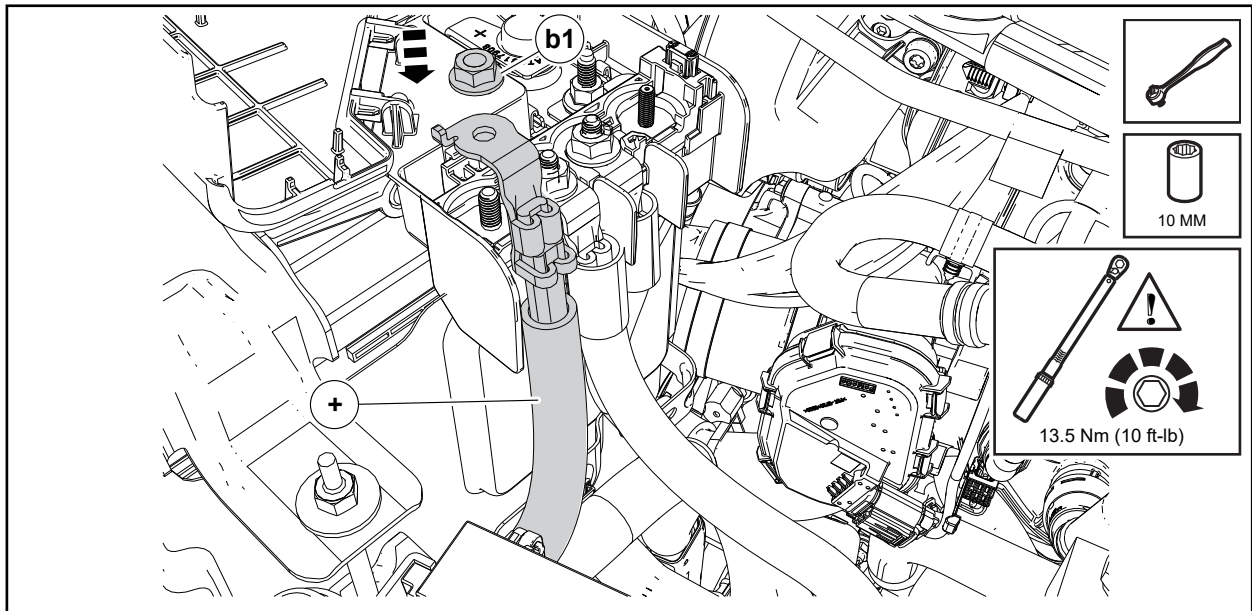
NO PART OF THIS DOCUMENT MAY BE REPRODUCED WITHOUT PRIOR AGREEMENT AND WRITTEN PERMISSION OF FORD PERFORMANCE PARTS

42. Open the hood of the vehicle.



43. Connect the positive winch cable to the positive bus bar on the vehicles battery.

- Torque: 13.5 Nm (10 ft-lb)



Ford Factory Shop Manual purchase options www.motorcraftservice.com



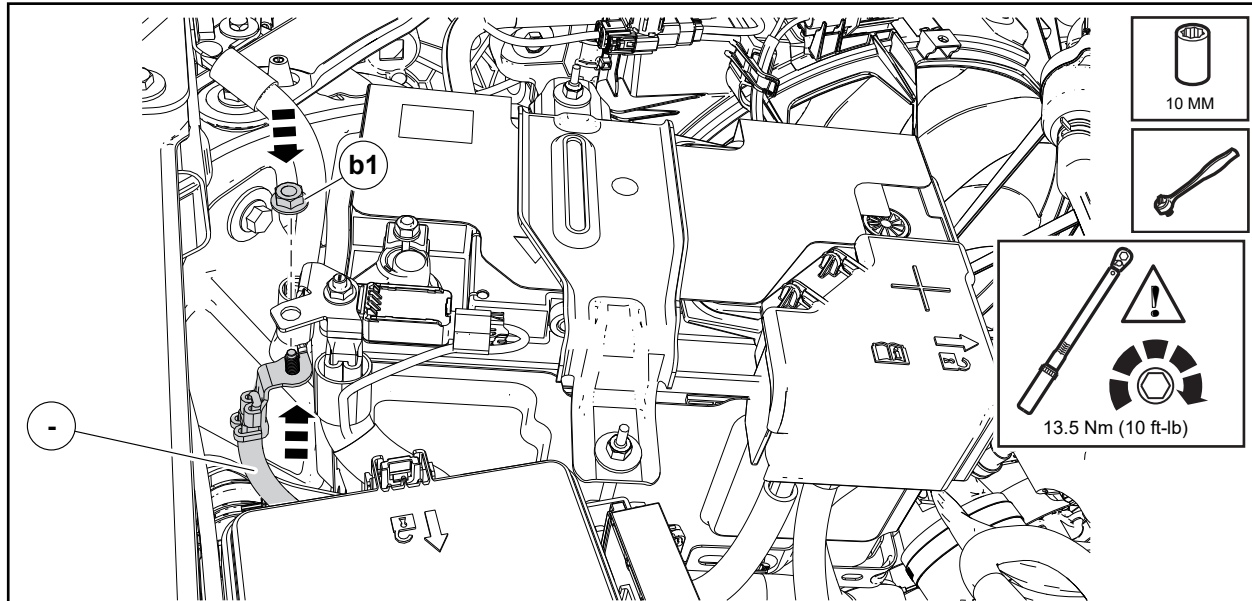
FORD PERFORMANCE

M-1821-B
2021 →
Bronco Off-Road Winch

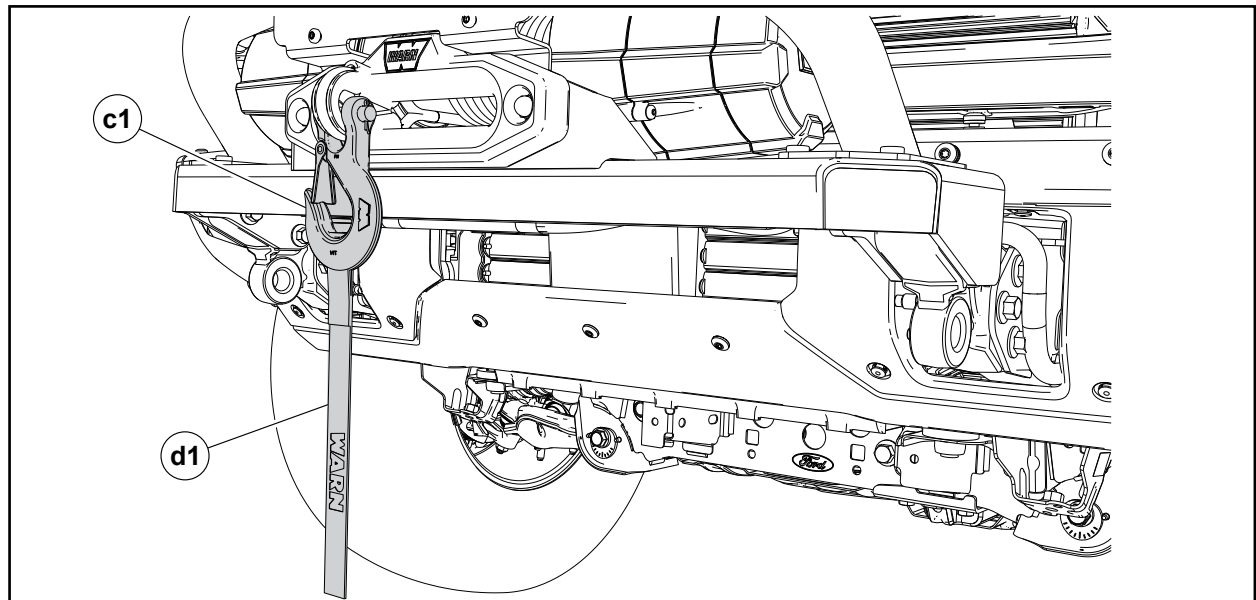
NO PART OF THIS DOCUMENT MAY BE REPRODUCED WITHOUT PRIOR AGREEMENT AND WRITTEN PERMISSION OF FORD PERFORMANCE PARTS

44. Connect the negative winch cable to the negative terminal on the vehicles battery.

- Torque: 13.5 Nm (10 ft-lb)



45. Install the tow hook and tow hook strap to the winch cable eyelet.



Ford Factory Shop Manual purchase options www.motorcraftservice.com

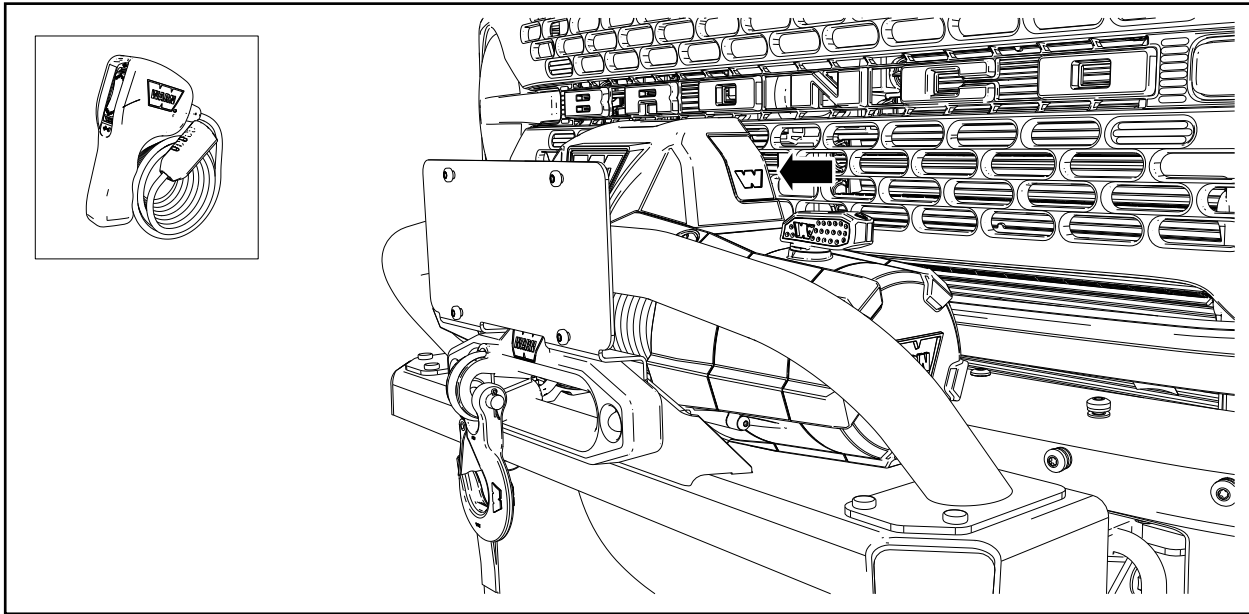


FORD PERFORMANCE

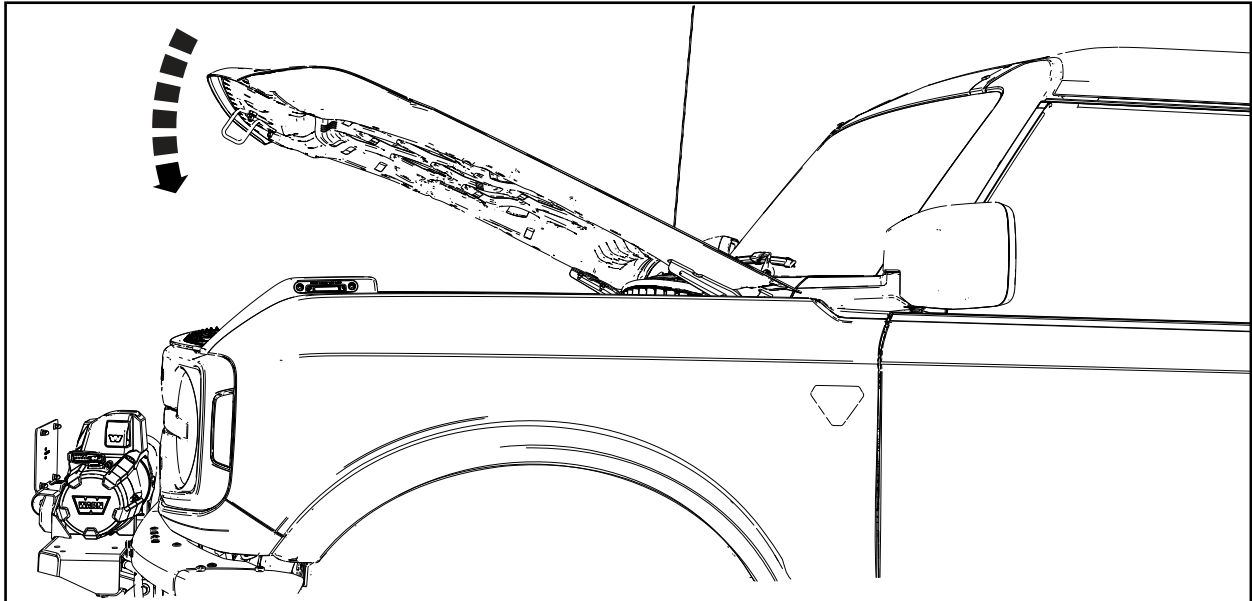
M-1821-B
2021 →
Bronco Off-Road Winch

NO PART OF THIS DOCUMENT MAY BE REPRODUCED WITHOUT PRIOR AGREEMENT AND WRITTEN PERMISSION OF FORD PERFORMANCE PARTS

46. Ensure the clutch lever is in the engaged position, connect the remote to the winch use the remote to pull in the rope till the hook is tight against the fairlead. Press one click on the remote to remove slack and test the operation. Store the winch remote in the center console.



47. Close the hood of the vehicle.



Ford Factory Shop Manual purchase options www.motorcraftservice.com

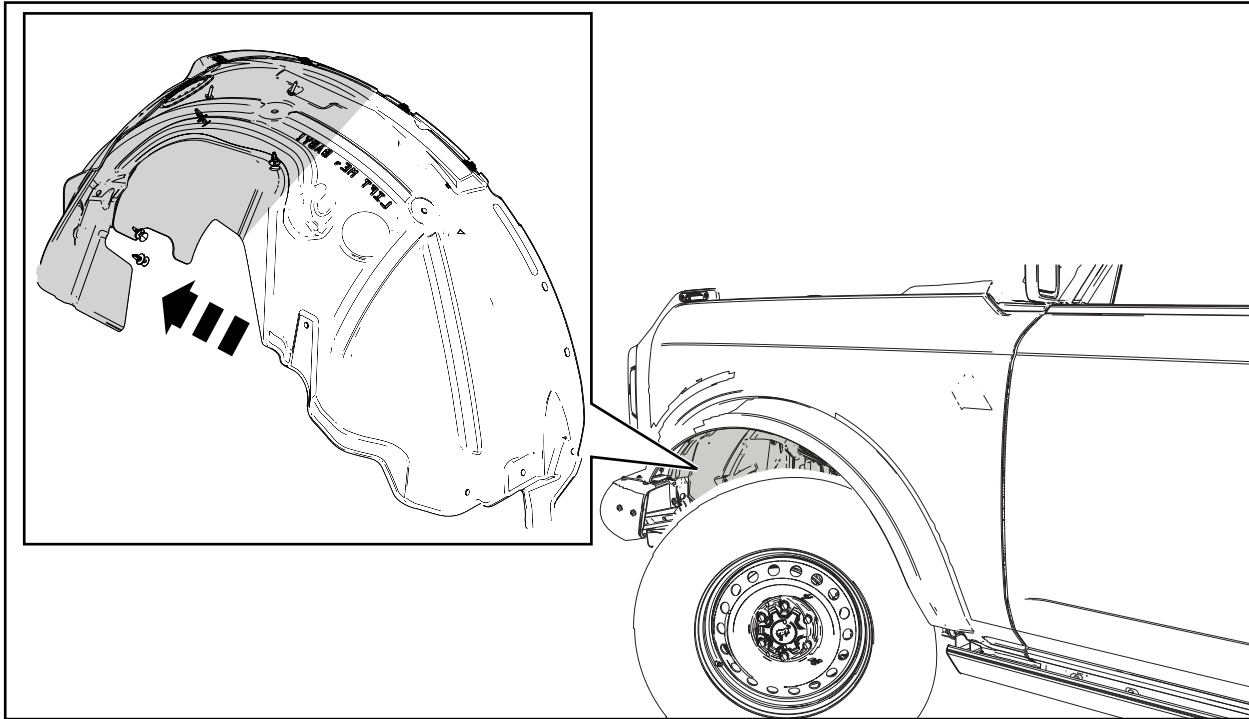


FORD PERFORMANCE

M-1821-B
2021 →
Bronco Off-Road Winch

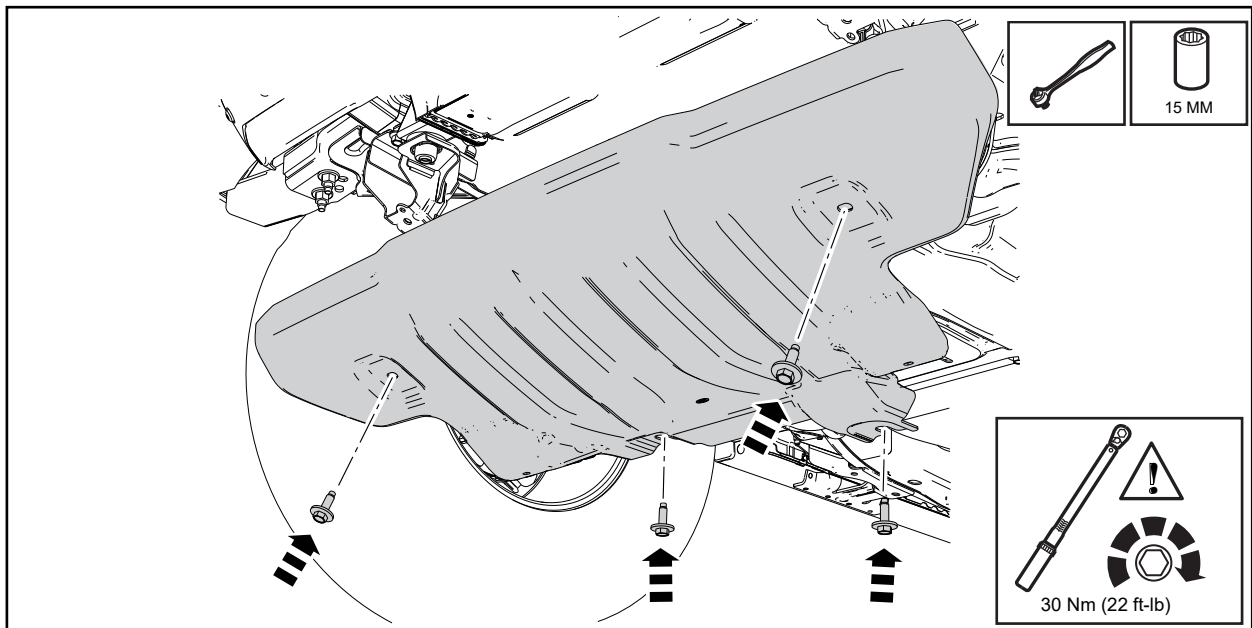
NO PART OF THIS DOCUMENT MAY BE REPRODUCED WITHOUT PRIOR AGREEMENT AND WRITTEN PERMISSION OF FORD PERFORMANCE PARTS

48. Reinstall the left hand wheel well splash shield and retainers. Reuse the retainers from step 38.



49. Install the left hand wheel well splash shield and retainers.

- Torque: 30 Nm (22 ft-lb)



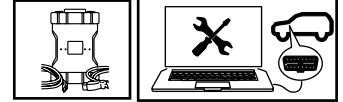
Ford Factory Shop Manual purchase options www.motorcraftservice.com



M-1821-B
2021 →
Bronco Off-Road Winch

NO PART OF THIS DOCUMENT MAY BE REPRODUCED WITHOUT PRIOR AGREEMENT AND WRITTEN PERMISSION OF
FORD PERFORMANCE PARTS

Programming procedure:



50. Connect Ford Diagnostic & Repair System (FDRS) and start a new vehicle session.

51. Select “Toolbox”, then scroll down to “RCM - Restraint Control Module”. On the left hand side of the screen download the “RCM - Winch Configuration”

52. Select “Run” after the download has completed. Follow the on-screen instructions to complete the RCM - Winch Configuration.

NOTE: When prompted for part number entry, enter “**M-1821**”. The part numbers are case sensitive. Do Not enter spaces or a part suffix or quotes.

53. If equipped with Front Bumper Park Aid Sensors, disable Park Aid Front Sensors. Press ‘Features’ on the SYNC touchscreen, press ‘Driver Assistance’, then select ‘Park Aid Front Sensors’ to OFF.

a. Driver Assistance Preference Settings due to Winch interference

Front Parking Aids

If equipped, Front Bumper Park Aid is not Winch compatible. Press ‘Features’ on the SYNC touchscreen, press ‘Driver Assistance’, then select ‘Park Aid Front Sensors’ to OFF. If not done, a continuous warning sound will be emitted.

Radar Adaptive Cruise Control (ACC)

If equipped, LUX Package includes Radar Adaptive Speed Control is not Winch compatible. Press Driver Assistance select Cruise Control select Normal. If not done, a driver message “Adaptive Cruise Not Available Sensor Blocked” will be present.

Returning Vehicle to Factory Condition:

After completely removing the Winch from the vehicle, perform these steps to return the vehicle to factory conditions. A Restraint Control Module (RCM) software update is required after winch removal to ensure proper airbag deployment and performance of other safety systems.

54. Connect Ford Diagnostic & Repair System (FDRS) and start a new vehicle session.

55. Select “Toolbox”, then scroll down to “RCM - Restraint Control Module”. On the left hand side of the screen download the “RCM - Winch Configuration”

56. Select “Run” after the download has completed. Then select “Remove Winch from Vehicle” and follow the on-screen instructions to complete the RCM – Winch Configuration.

NOTE: During the programming procedure you will be prompted to enter the part number “**RESTORE**”. The part numbers are case sensitive and do not include any spaces.

57. If equipped with Front Bumper Park Aid Sensors, Enable Park Aid Front Sensors. Press ‘Features’ on the SYNC touchscreen, press ‘Driver Assistance’, then select ‘Park Aid Front Sensors’ to ON.

Ford Factory Shop Manual purchase options www.motorcraftservice.com