



FORD PERFORMANCE

M-19008-BTDG

2021

Bronco® Off-Road Tubular Doors – Grab Handle Cover Service Kit

NO PART OF THIS DOCUMENT MAY BE REPRODUCED WITHOUT PRIOR AGREEMENT AND WRITTEN PERMISSION OF FORD PERFORMANCE PARTS © Ford Motor Company 2020

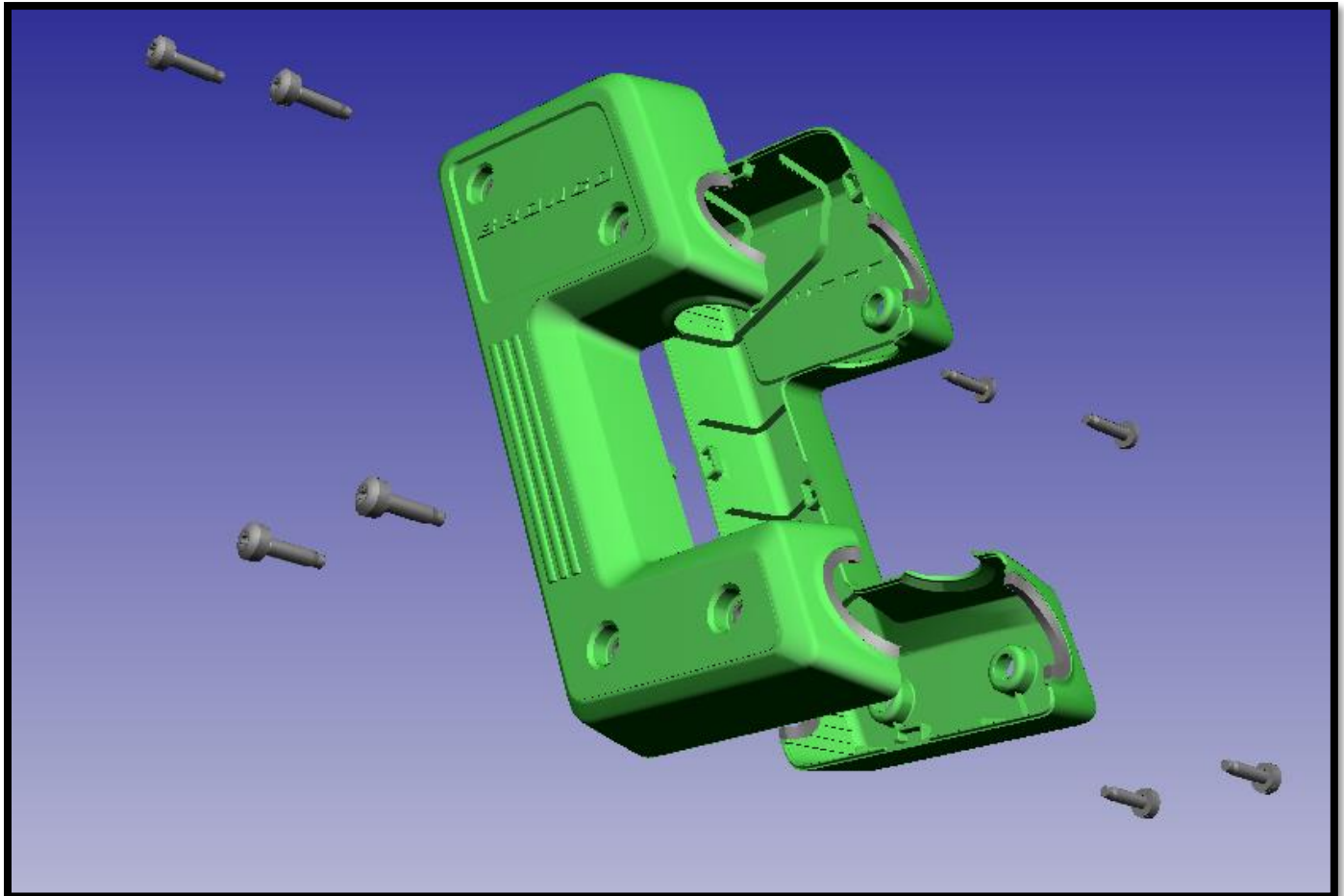
**PRIOR TO INSTALLATION READ THESE INSTRUCTION COMPETELY**  
For questions, Call the FORD PERFORMANCE Techline 1-800-367-3788

Please visit <https://www.performanceparts.ford.com> for warranty information

### Kit Contents

#### Grab Handle Cover Service Kit (M-19008-BTDG)

- 1 Grab Handle Cover Assembly
- 8 Grab Handle Cover Bolt
- 1 I-Sheet Information Card (not shown)



Ford Factory Shop Manual purchase options [www.motorcraftservice.com](http://www.motorcraftservice.com)



FORD PERFORMANCE

M-19008-BTDG

2021

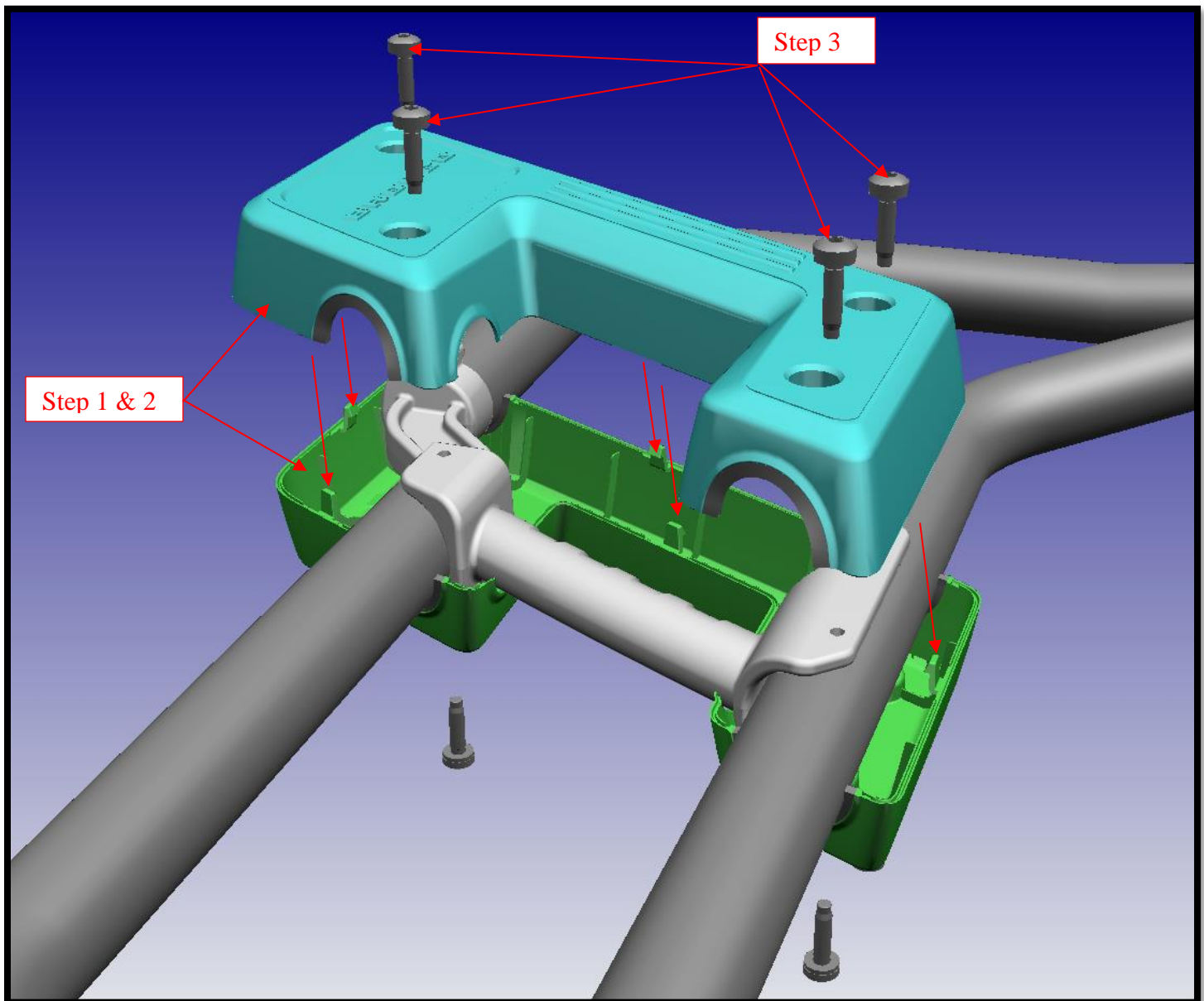
Bronco® Off-Road Tubular Doors – Grab Handle Cover Service Kit

NO PART OF THIS DOCUMENT MAY BE REPRODUCED WITHOUT PRIOR AGREEMENT AND WRITTEN PERMISSION OF FORD PERFORMANCE PARTS © Ford Motor Company 2020

### Grab Handle Cover Installation Instructions

1. Line up the grab handle cover halves on the grab handle casting
2. Assemble the grab handle covers together and assure both halves are properly aligned
3. Install the grab handle cover fasteners

*Note: Torque bolts to 6.5 lb-ft (9 Nm).*



Ford Factory Shop Manual purchase options [www.motorcraftservice.com](http://www.motorcraftservice.com)