



FORD PERFORMANCE

M-19008-BTDR / M-19008-BTDL

2021

Bronco® Off-Road Tubular Doors – Driver/Pass. Latch Assembly Service Kit

NO PART OF THIS DOCUMENT MAY BE REPRODUCED WITHOUT PRIOR AGREEMENT AND WRITTEN PERMISSION OF FORD PERFORMANCE PARTS © Ford Motor Company 2020

**PRIOR TO INSTALLATION READ THESE INSTRUCTION COMPETELY**  
For questions, Call the FORD PERFORMANCE Techline 1-800-367-3788

Please visit <https://www.performanceparts.ford.com> for warranty information

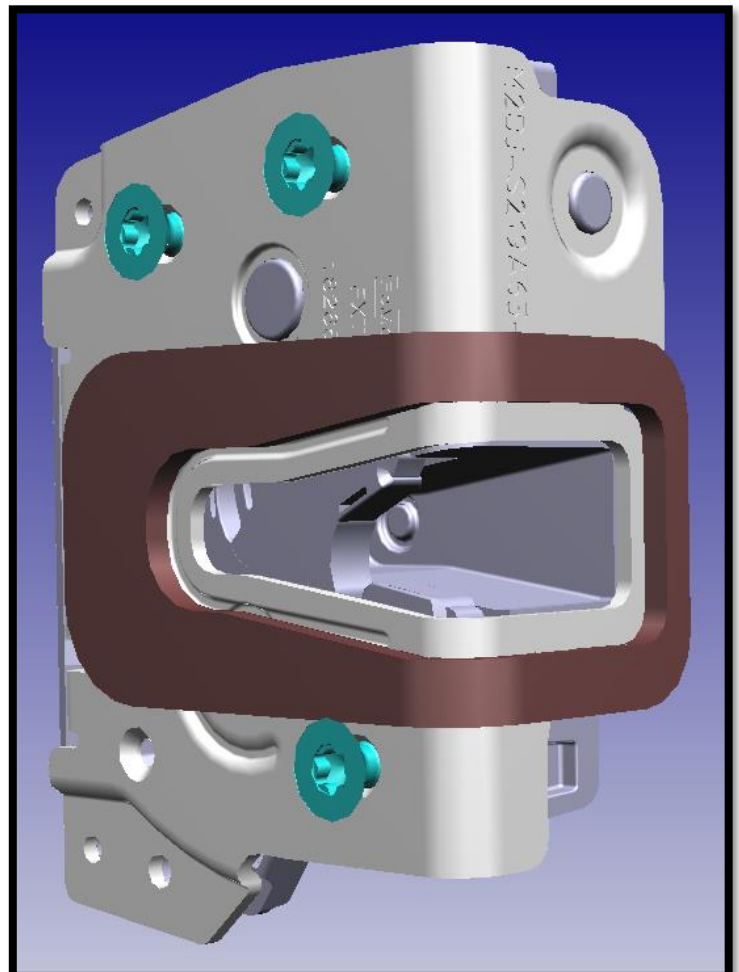
### Kit Contents

#### **Driver Side Latch Assembly Service Kit (M-19008-BTDL)**

- 1 Driver Side Door Latch Assembly
- 1 Foam Seal
- 3 Door Latch Bolts
- 1 I-Sheet Information Card (not shown)

#### **Passenger Side Latch Assembly Service Kit (M-19008-BTDR)**

- 1 Passenger Side Door Latch Assembly
- 1 Foam Seal
- 3 Door Latch Bolts
- 1 I-Sheet Information Card (not shown)



Ford Factory Shop Manual purchase options [www.motorcraftservice.com](http://www.motorcraftservice.com)



FORD PERFORMANCE

M-19008-BTDR / M-19008-BTDL

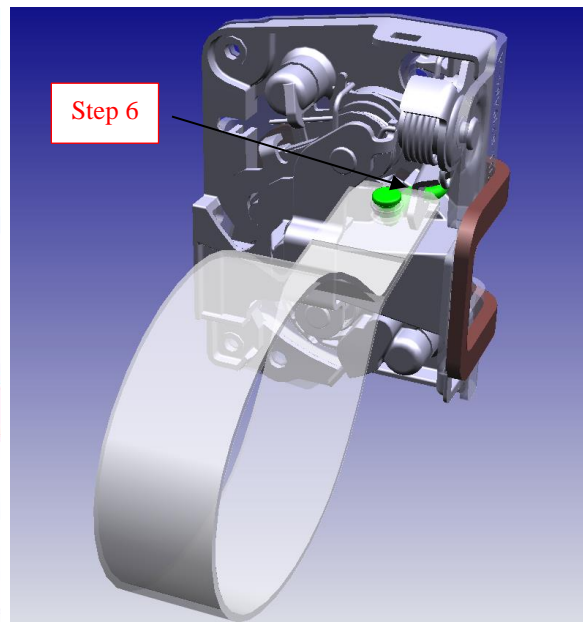
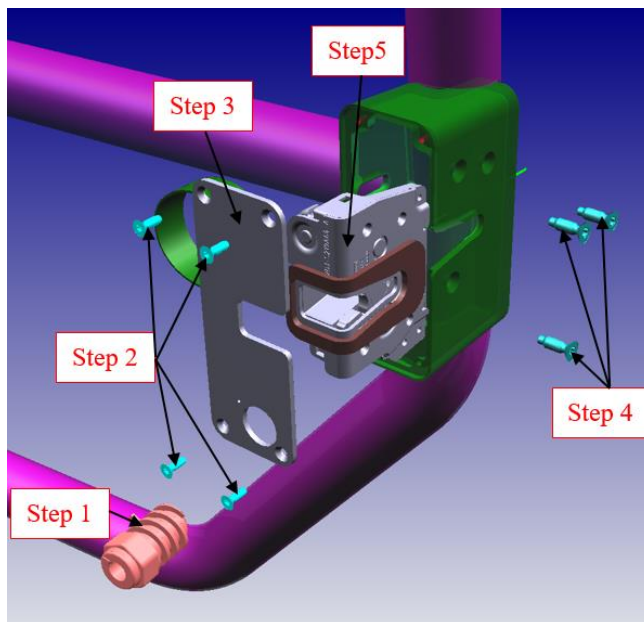
2021

Bronco® Off-Road Tubular Doors – Driver/Pass. Latch Assembly Service Kit

NO PART OF THIS DOCUMENT MAY BE REPRODUCED WITHOUT PRIOR AGREEMENT AND WRITTEN PERMISSION OF FORD PERFORMANCE PARTS © Ford Motor Company 2020

### Latch Assembly Installation Instructions

1. Remove door bumper.
2. Remove service cover plate screws.
3. Remove service cover plate.
4. Remove latch mounting fasteners.
5. Remove latch assembly.
6. Remove ferrule and pull strap from latch assembly.
7. Install ferrule and pull strap on new latch assembly.
8. Insert pull strap through latch enclosure hole, align latch to mounting holes, and install latch mounting fasteners.  
*Note: Torque bolts to 8.9 lb-ft (12Nm).*
9. Install service cover plate and fasteners.  
*Note: Torque bolts to 1.8 lb-ft (2.5Nm).*
10. Install bumper assuring the marks are aligned.



Ford Factory Shop Manual purchase options [www.motorcraftservice.com](http://www.motorcraftservice.com)