



FORD PERFORMANCE

**M-5200-ACT1
Mustang GT & Bullitt MY 2018 → 2022
Active Exhaust Upgrade Kit**

NO PART OF THIS DOCUMENT MAY BE REPRODUCED WITHOUT PRIOR AGREEMENT AND WRITTEN PERMISSION OF
FORD PERFORMANCE PARTS © Ford Motor Company 2020

**PRIOR TO INSTALLATION READ THESE INSTRUCTION COMPETELY
For questions, Call the FORD PERFORMANCE Techline 1-800-367-3788**

Please visit <https://www.performanceparts.ford.com> for warranty information

Bill of Materials

1. RH & LH Exhaust Mufflers
2. (2) Exhaust Clamps
3. Rear Valence
4. Rear Diffuser
5. (2) Exhaust Intermediate Hangers
6. RH & LH Diffuser Hangers
7. RH & LH Mud Flaps (optional)
8. (2) W711158-S442 - M6 x 25 Bolts
9. (2) W520812-S439 - M6 U-Nut
10. (4) W711806-S450B - M8 x 25 Bolts
11. (5) W715060-S540B - Screw & Washer 4.2 x 25
12. (4) W705392-S450B - Screw & Washer 4.2 x 22
13. (4) W707291-S439 - 4.2 U-Nut
14. (6) W714040-S300 - Rivet Push Pins

Ford Factory Shop Manual purchase options www.motorcraftservice.com



FORD PERFORMANCE

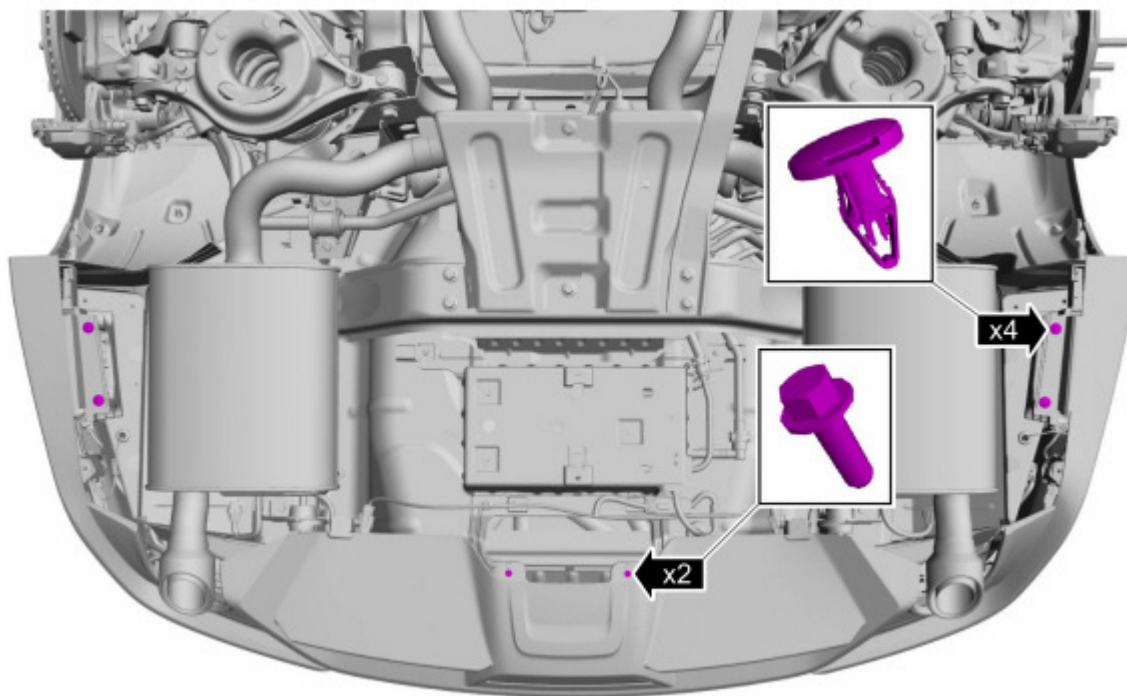
M-5200-ACT1 Mustang GT & Bullitt MY 2018 → 2022 Active Exhaust Upgrade Kit

NO PART OF THIS DOCUMENT MAY BE REPRODUCED WITHOUT PRIOR AGREEMENT AND WRITTEN PERMISSION OF FORD PERFORMANCE PARTS © Ford Motor Company 2020

Removal - All Vehicles

NOTE: Removal steps in this procedure may contain installation details.

1. Remove the rear wheels and tires.
Refer to: Wheel and Tire (204-04A Wheels and Tires, Removal and Installation).
2. Remove the screws and the push pins.
Torque: 18 lb.in (2 Nm)



E260214

Ford Factory Shop Manual purchase options www.motorcraftservice.com

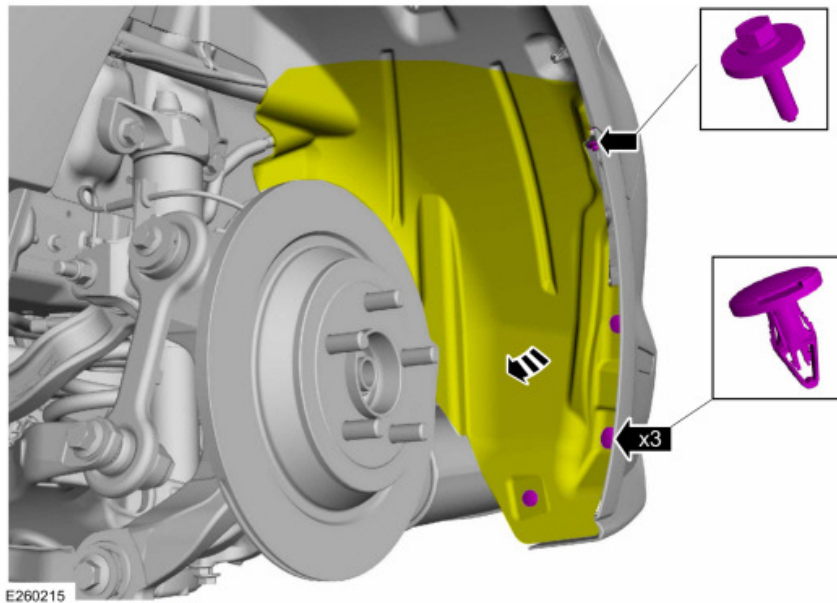


FORD PERFORMANCE

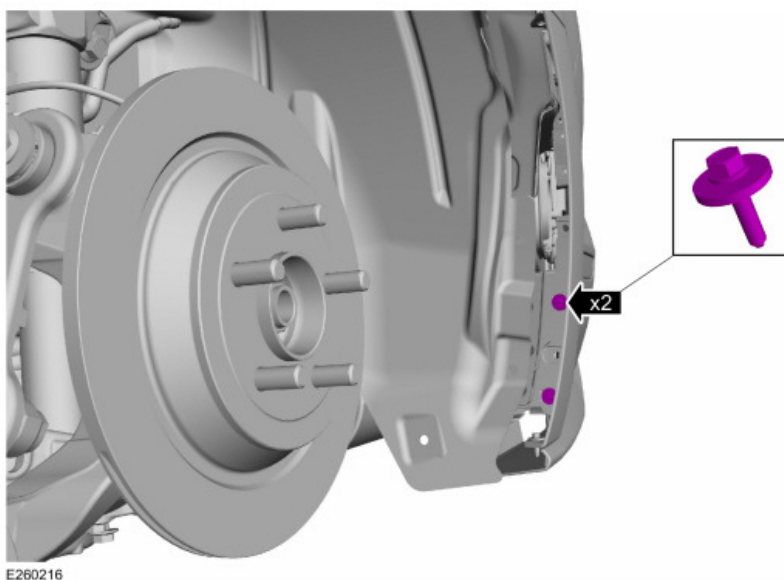
M-5200-ACT1 Mustang GT & Bullitt MY 2018 → 2022 Active Exhaust Upgrade Kit

NO PART OF THIS DOCUMENT MAY BE REPRODUCED WITHOUT PRIOR AGREEMENT AND WRITTEN PERMISSION OF FORD PERFORMANCE PARTS © Ford Motor Company 2020

3. On both sides.
Remove the screw, the push pins and position the wheel liner aside.



4. On both sides.
Remove the bumper cover to bracket screws. Save for later
Torque: 18 lb.in (2 Nm)



Ford Factory Shop Manual purchase options www.motorcraftservice.com



FORD PERFORMANCE

M-5200-ACT1 Mustang GT & Bullitt MY 2018 → 2022 Active Exhaust Upgrade Kit

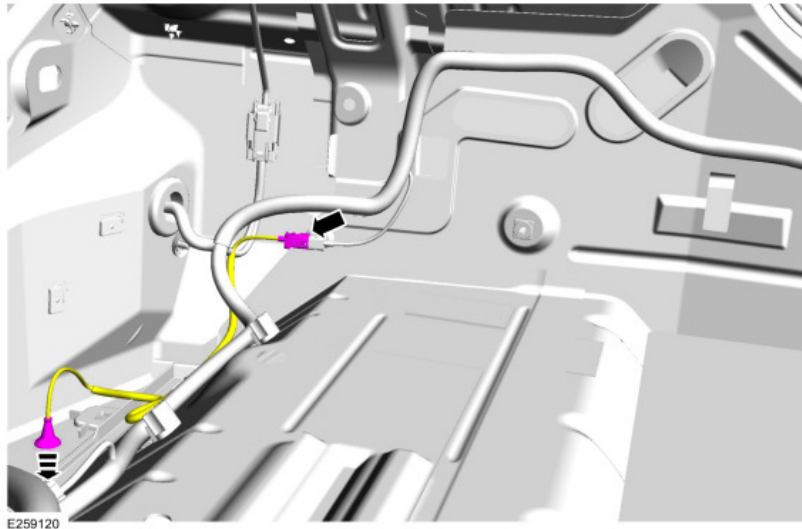
NO PART OF THIS DOCUMENT MAY BE REPRODUCED WITHOUT PRIOR AGREEMENT AND WRITTEN PERMISSION OF FORD PERFORMANCE PARTS © Ford Motor Company 2020

5. Remove the rear lamp assemblies.
Refer to: Rear Lamp Assembly (417-01 Exterior Lighting, Removal and Installation).

Vehicles with cellular phone antenna

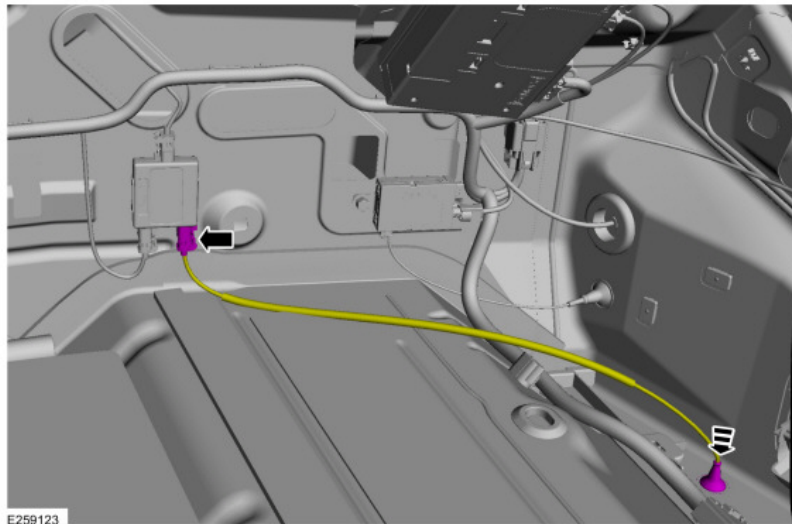
6. **NOTE:** *RH side cellular antenna.*

Disconnect the RH cellular antenna cable from the wiring harness and push the grommet through the vehicle body.



7. **NOTE:** *LH side cellular antenna.*

Disconnect the LH cellular antenna cable from the wiring harness and push the grommet through the vehicle body.



Ford Factory Shop Manual purchase options www.motorcraftservice.com



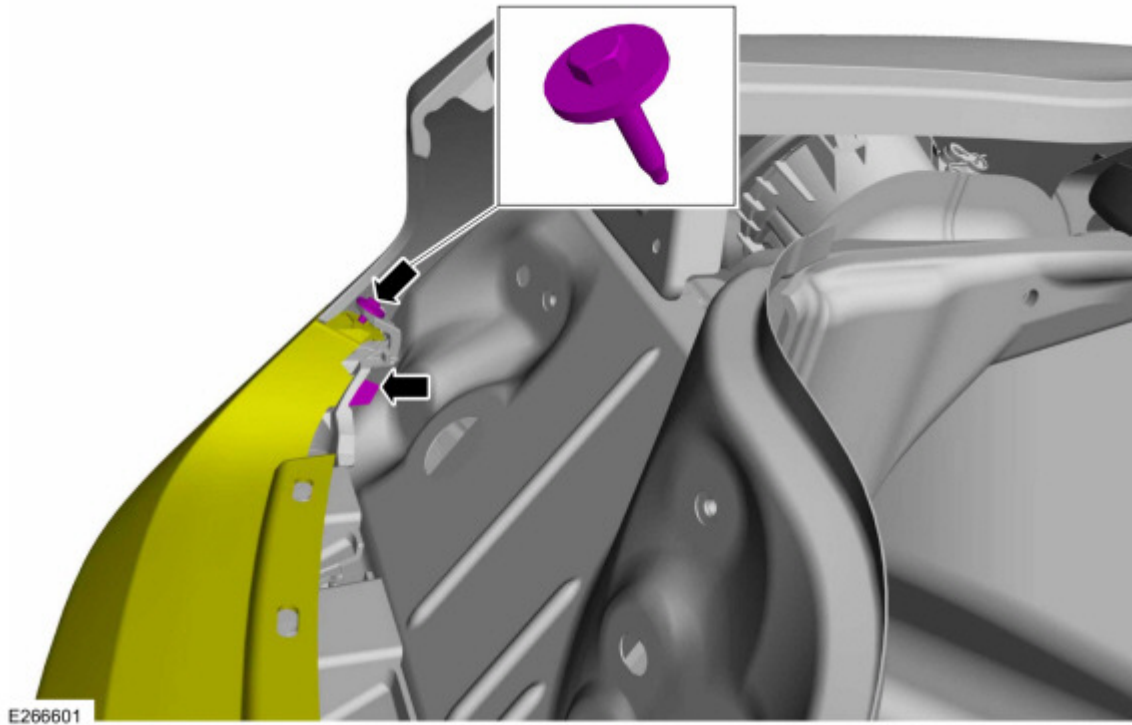
FORD PERFORMANCE

M-5200-ACT1
Mustang GT & Bullitt MY 2018 → 2022
Active Exhaust Upgrade Kit

NO PART OF THIS DOCUMENT MAY BE REPRODUCED WITHOUT PRIOR AGREEMENT AND WRITTEN PERMISSION OF
FORD PERFORMANCE PARTS © Ford Motor Company 2020

All Vehicles

8. On both sides.
Remove the front bumper cover bolt and release the tab.



Ford Factory Shop Manual purchase options www.motorcraftservice.com



FORD PERFORMANCE

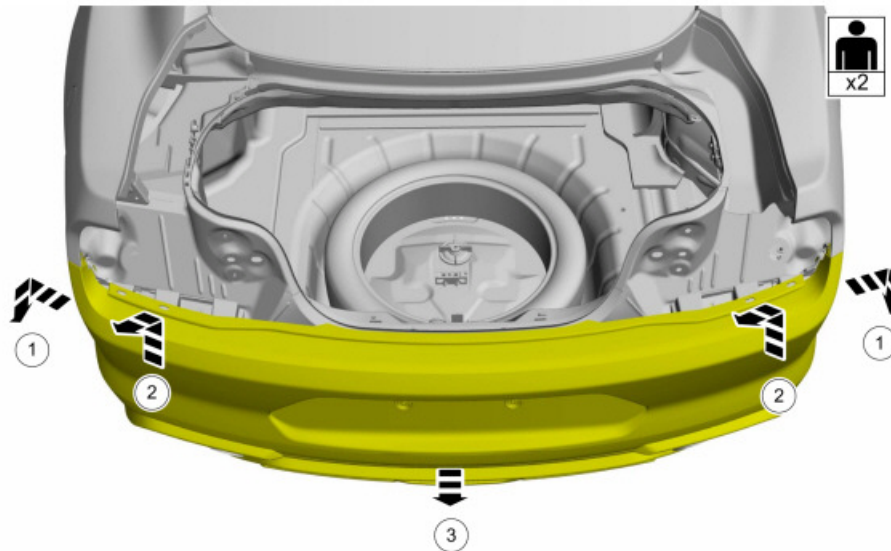
M-5200-ACT1 Mustang GT & Bullitt MY 2018 → 2022 Active Exhaust Upgrade Kit

NO PART OF THIS DOCUMENT MAY BE REPRODUCED WITHOUT PRIOR AGREEMENT AND WRITTEN PERMISSION OF FORD PERFORMANCE PARTS © Ford Motor Company 2020

9. With the help of an assistant.

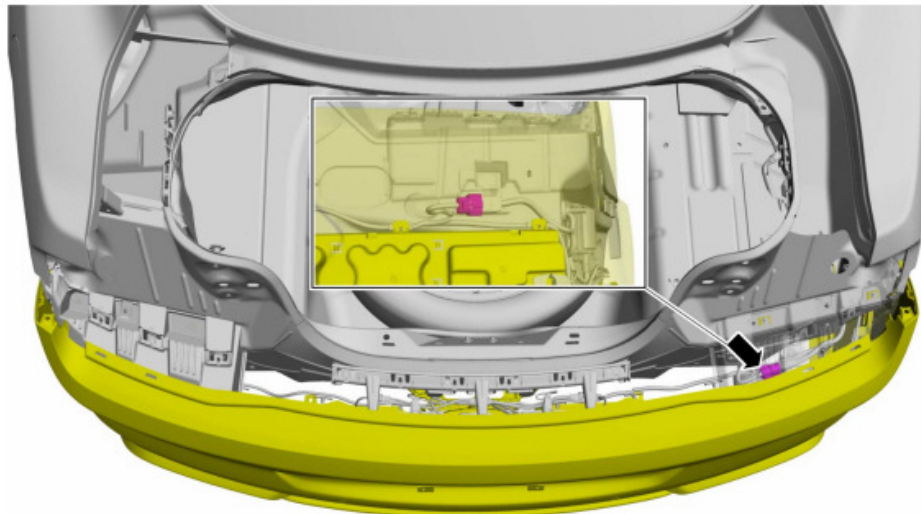
Position the rear bumper cover aside for access to electrical connector.

1. Release the sides of the rear bumper cover from the side brackets.
2. Lift up and release the rear bumper cover from the outer rear brackets.
3. Release the center of the rear bumper cover from the rear brackets and position aside.



E260218

10. Disconnect the rear bumper wiring harness electrical connector.



E260219

Ford Factory Shop Manual purchase options www.motorcraftservice.com



FORD PERFORMANCE

M-5200-ACT1
Mustang GT & Bullitt MY 2018 → 2022
Active Exhaust Upgrade Kit

NO PART OF THIS DOCUMENT MAY BE REPRODUCED WITHOUT PRIOR AGREEMENT AND WRITTEN PERMISSION OF
FORD PERFORMANCE PARTS © Ford Motor Company 2020

11. With the help of an assistant.
Remove the rear bumper cover.



E260220

Ford Factory Shop Manual purchase options www.motorcraftservice.com



FORD PERFORMANCE

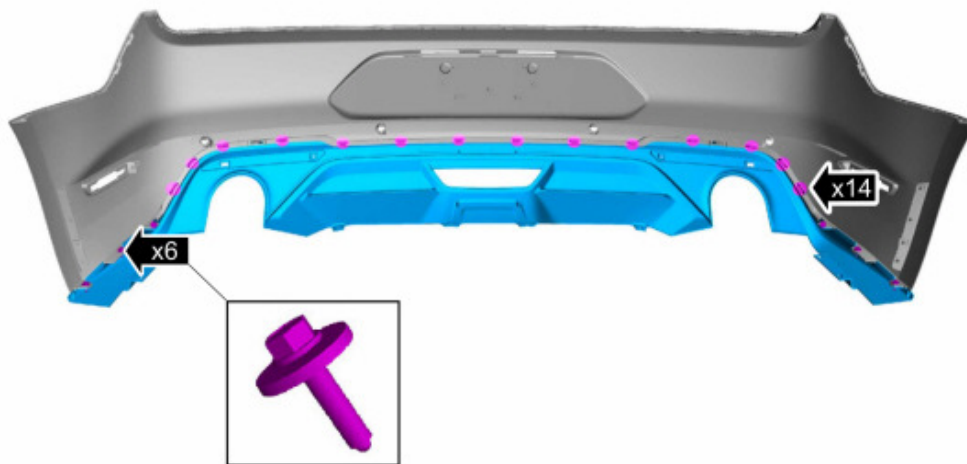
M-5200-ACT1 Mustang GT & Bullitt MY 2018 → 2022 Active Exhaust Upgrade Kit

NO PART OF THIS DOCUMENT MAY BE REPRODUCED WITHOUT PRIOR AGREEMENT AND WRITTEN PERMISSION OF FORD PERFORMANCE PARTS © Ford Motor Company 2020

12. On both sides.
Inspect the side bracket for damage.
13. Carefully remove rear valence
 1. Vehicles without cellular phone antenna

Remove the screws, release the tabs and remove the lower bumper cover.

Torque: 18 lb.in (2 Nm)

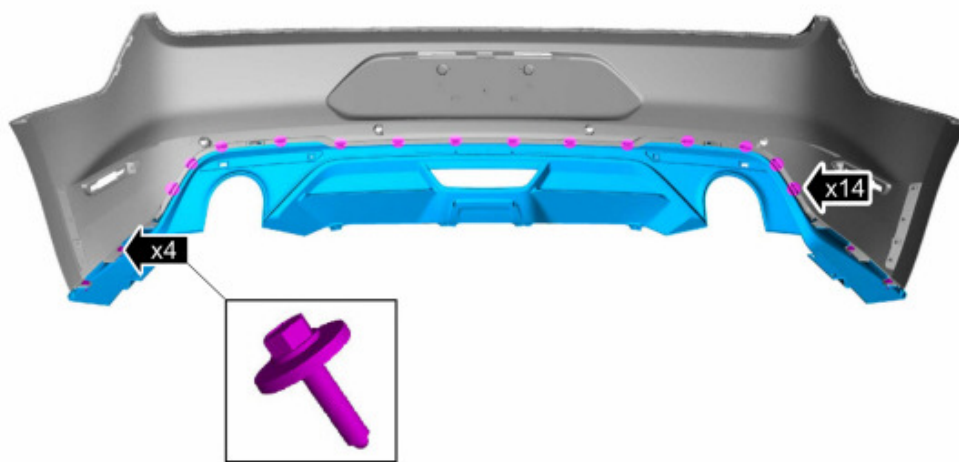


E266572

2. Vehicles with Cellular Phone Antenna

Remove the screws, release the tabs and remove the lower bumper cover.

Torque: 18 lb.in (2 Nm)



E260110

Ford Factory Shop Manual purchase options www.motorcraftservice.com

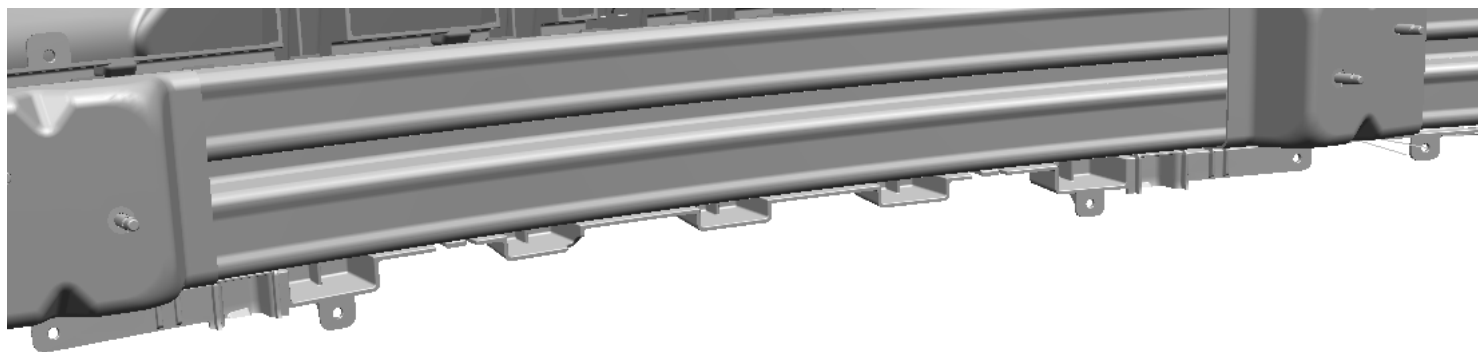
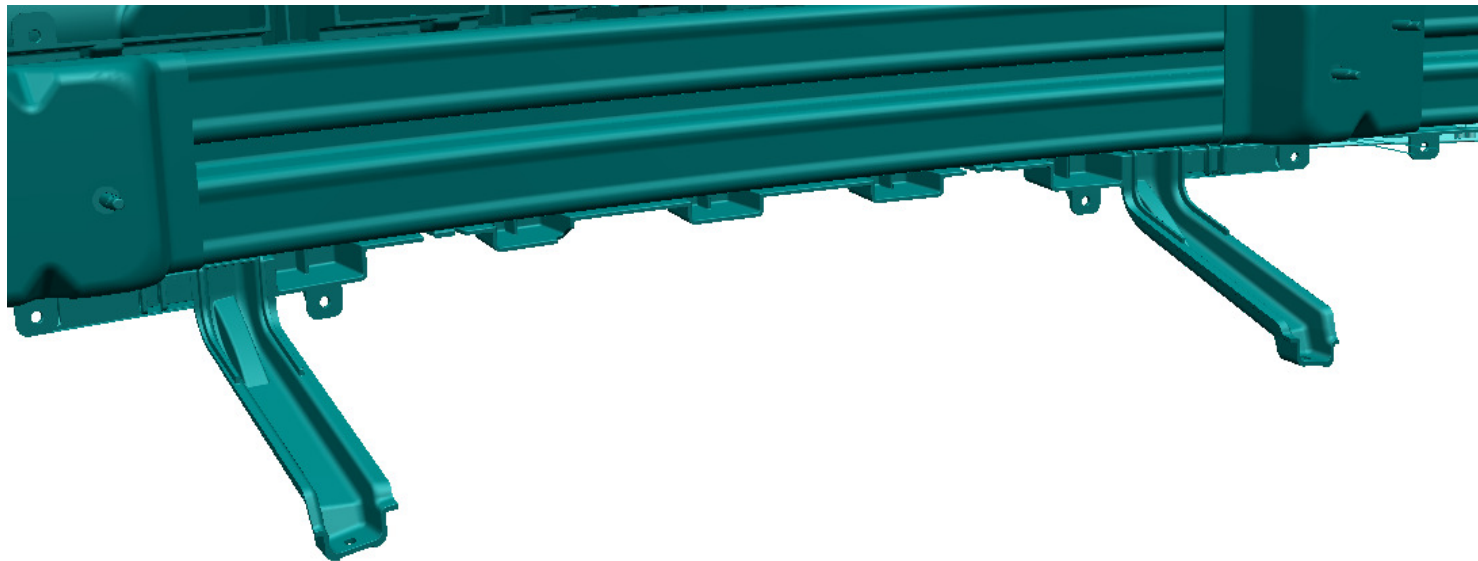


FORD PERFORMANCE

M-5200-ACT1
Mustang GT & Bullitt MY 2018 → 2022
Active Exhaust Upgrade Kit

NO PART OF THIS DOCUMENT MAY BE REPRODUCED WITHOUT PRIOR AGREEMENT AND WRITTEN PERMISSION OF
FORD PERFORMANCE PARTS © Ford Motor Company 2020

Cut hangers on bumper to create clearance for new valence



Ford Factory Shop Manual purchase options www.motorcraftservice.com

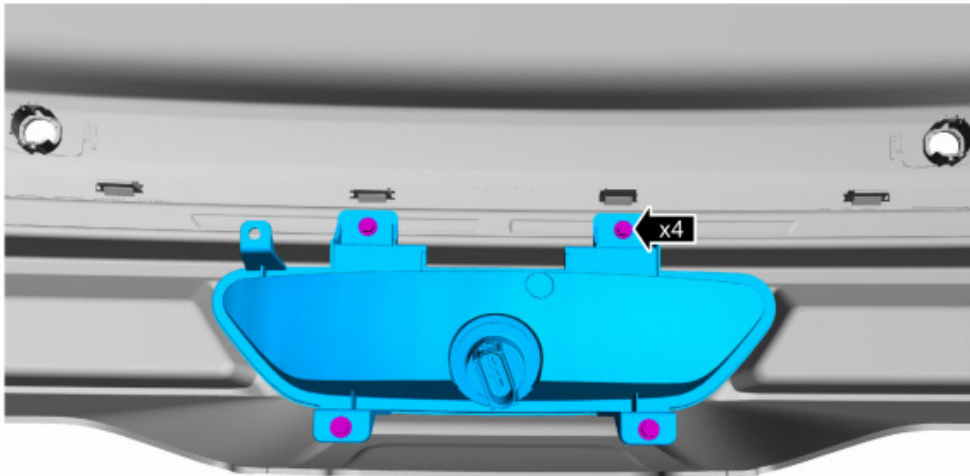


FORD PERFORMANCE

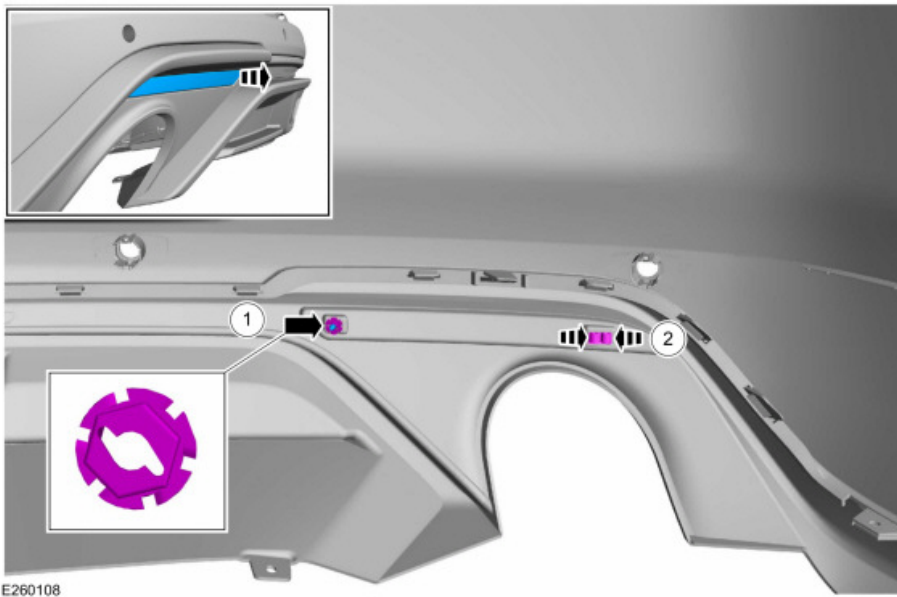
M-5200-ACT1 Mustang GT & Bullitt MY 2018 → 2022 Active Exhaust Upgrade Kit

NO PART OF THIS DOCUMENT MAY BE REPRODUCED WITHOUT PRIOR AGREEMENT AND WRITTEN PERMISSION OF FORD PERFORMANCE PARTS © Ford Motor Company 2020

14. Swap over the brake light and reflectors
 1. Remove the screws and the reversing lamp.
Torque: 18 lb.in (2 Nm)



2. On both sides.
 1. Remove the speed nut.
Torque: 13 lb.in (1.5 Nm)
 2. Release the tab and remove the rear reflector.



E260108

Ford Factory Shop Manual purchase options www.motorcraftservice.com

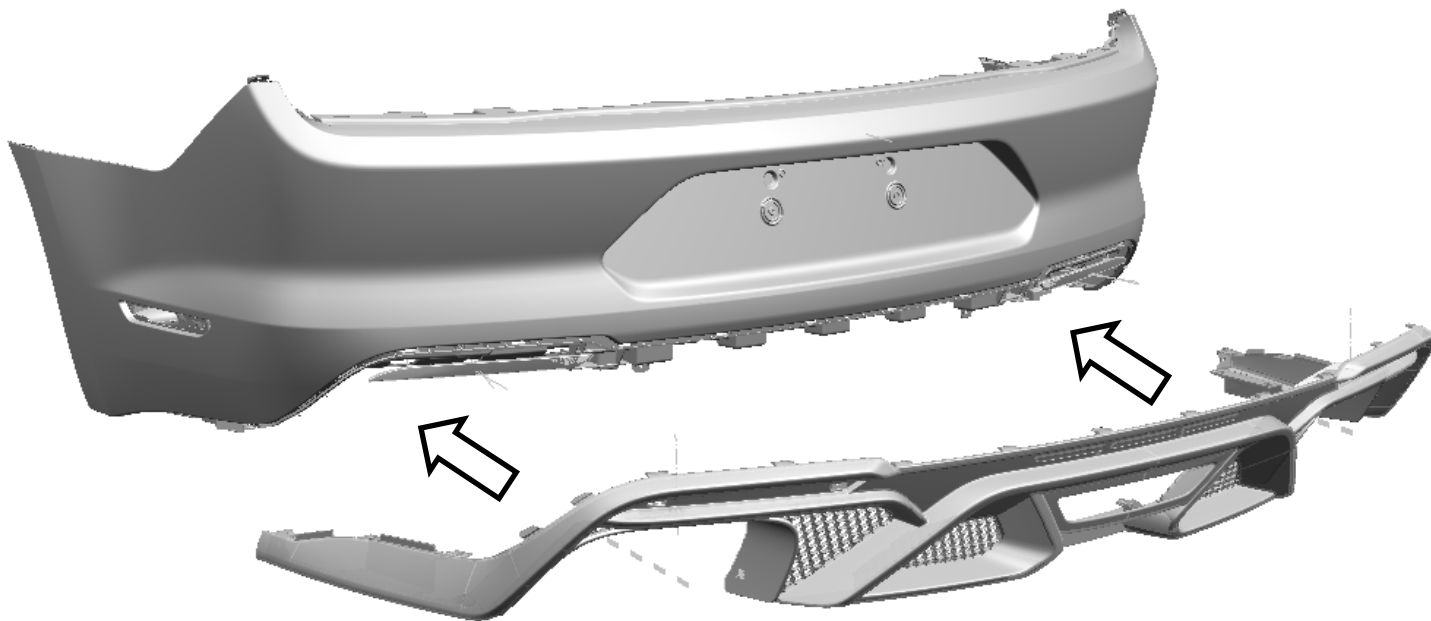


FORD PERFORMANCE

M-5200-ACT1
Mustang GT & Bullitt MY 2018 → 2022
Active Exhaust Upgrade Kit

NO PART OF THIS DOCUMENT MAY BE REPRODUCED WITHOUT PRIOR AGREEMENT AND WRITTEN PERMISSION OF FORD PERFORMANCE PARTS © Ford Motor Company 2020

15. Install the provided valence by snapping together 14x clips and reinstalling bolts from step 13
 1. Do not reinstall rear bumper until Exhaust modification is complete and installed



Ford Factory Shop Manual purchase options www.motorcraftservice.com

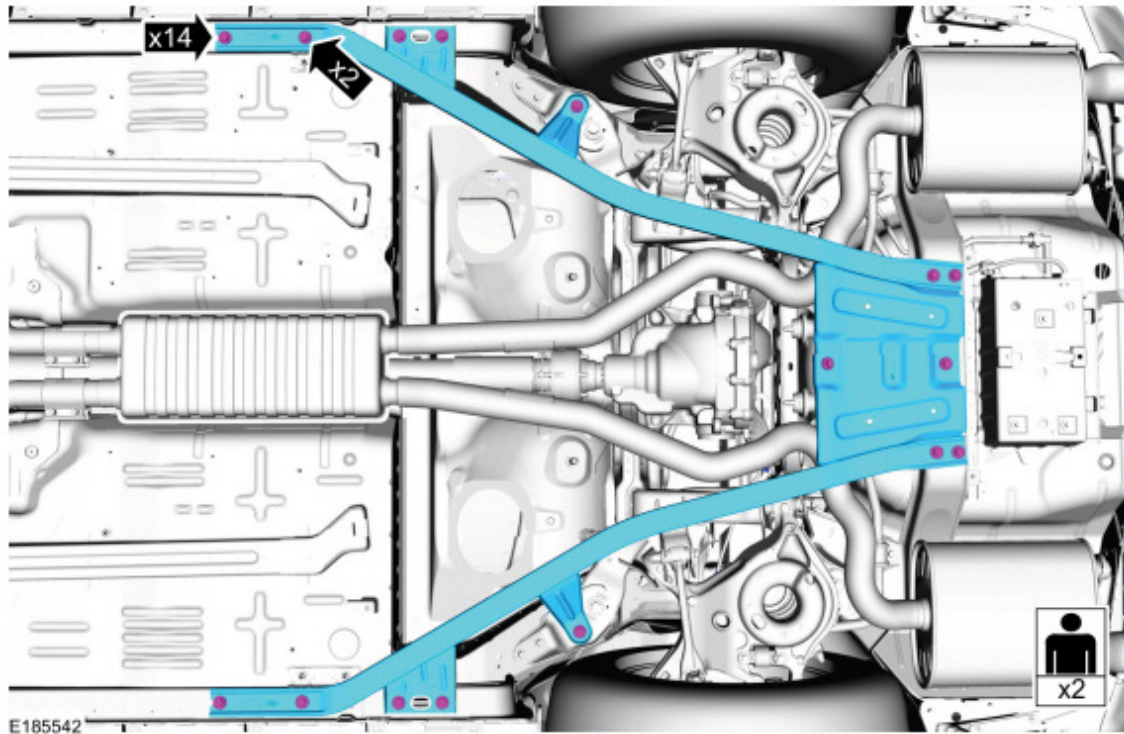


FORD PERFORMANCE

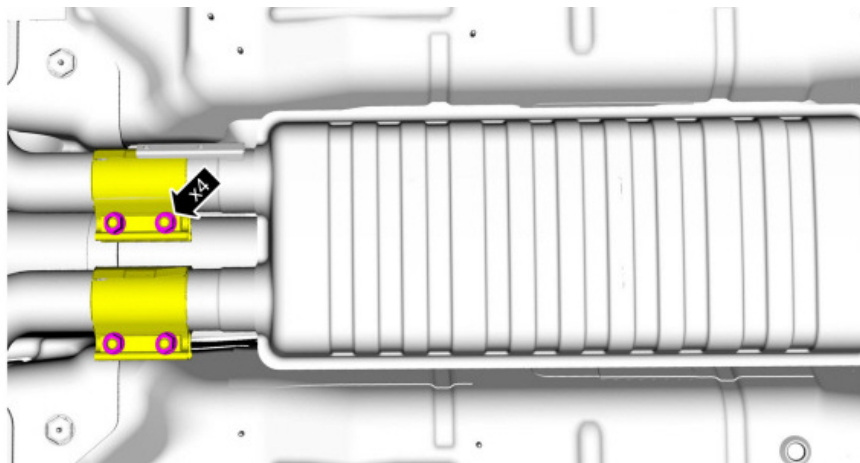
M-5200-ACT1 Mustang GT & Bullitt MY 2018 → 2022 Active Exhaust Upgrade Kit

NO PART OF THIS DOCUMENT MAY BE REPRODUCED WITHOUT PRIOR AGREEMENT AND WRITTEN PERMISSION OF FORD PERFORMANCE PARTS © Ford Motor Company 2020

16. Uninstall Exhaust
17. Convertible top vehicles only, remove the retainers and the brace.
Torque: 46 lb.ft (63 Nm)
18. During assembly, clean the retainers and apply the thread lock.
Material: Motorcraft® Threadlock and Sealer / TA-25-B



19. Loosen the clamps and separate the front muffler and tailpipe from the catalytic converters.



Ford Factory Shop Manual purchase options www.motorcraftservice.com

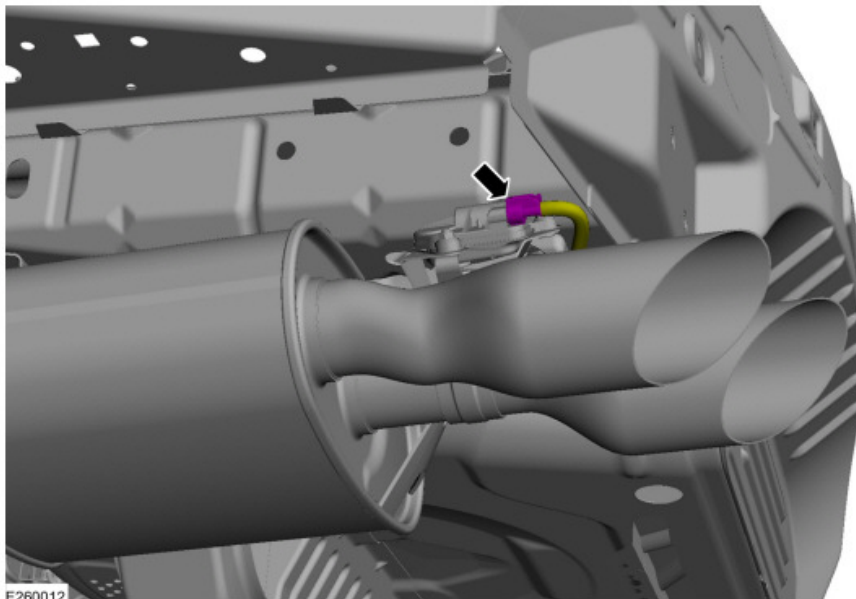


FORD PERFORMANCE

M-5200-ACT1
Mustang GT & Bullitt MY 2018 → 2022
Active Exhaust Upgrade Kit

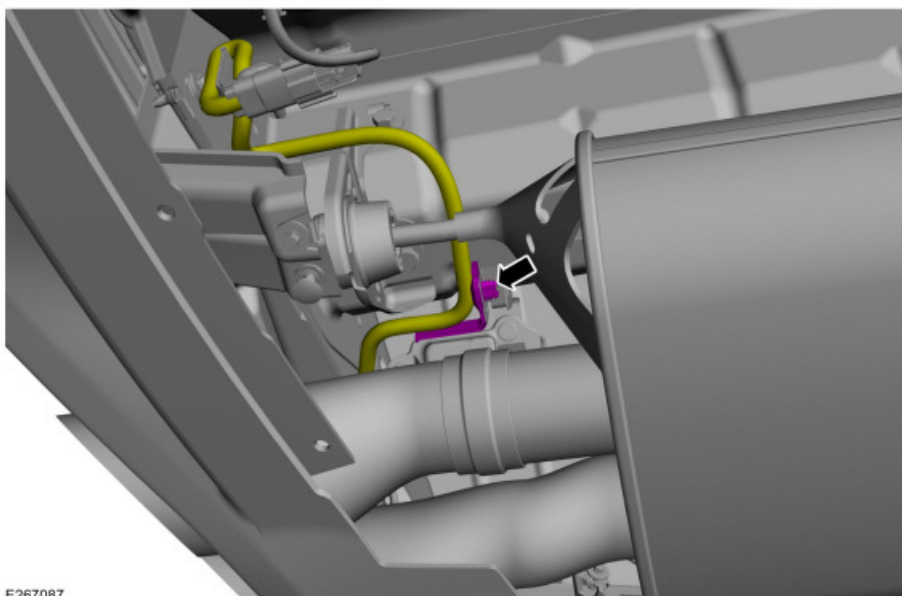
NO PART OF THIS DOCUMENT MAY BE REPRODUCED WITHOUT PRIOR AGREEMENT AND WRITTEN PERMISSION OF FORD PERFORMANCE PARTS © Ford Motor Company 2020

20. If equipped, On both sides.
Disconnect exhaust tail pipe actuator electrical connectors.



21. **NOTE:** Make sure the electrical wiring is routed with suitable clearance from the exhaust tips and the push pin clips are correctly installed.

If equipped, On both sides.
Disconnect exhaust tail pipe actuator electrical wiring harness clips from the vehicle body.



Ford Factory Shop Manual purchase options www.motorcraftservice.com



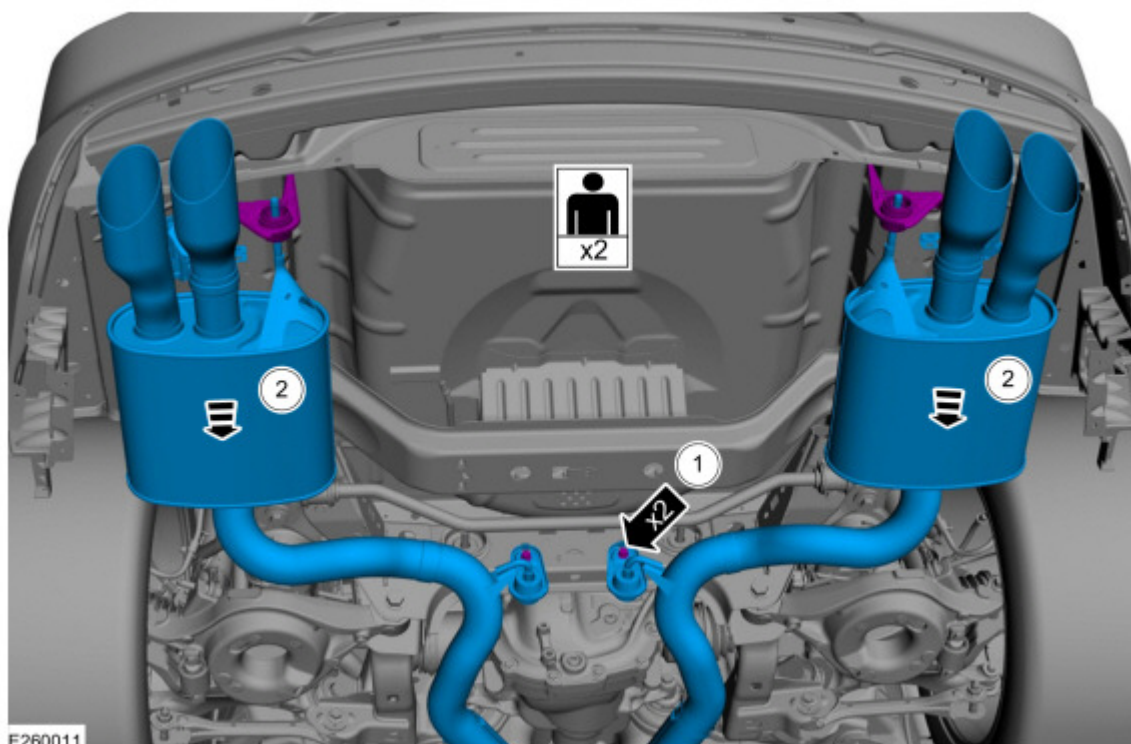
FORD PERFORMANCE

M-5200-ACT1
Mustang GT & Bullitt MY 2018 → 2022
Active Exhaust Upgrade Kit

NO PART OF THIS DOCUMENT MAY BE REPRODUCED WITHOUT PRIOR AGREEMENT AND WRITTEN PERMISSION OF FORD PERFORMANCE PARTS © Ford Motor Company 2020

22.

1. Remove the intermediate exhaust hanger isolator bracket bolts from the rear subframe.
Torque: 22 lb.ft (30 Nm). Discard exhaust hangers. Keep bracket bolts for later
2. Unhook the intermediate exhaust hanger isolators and rotate the isolators so that they are out of the way. Remove the muffler and tailpipe.



Ford Factory Shop Manual purchase options www.motorcraftservice.com



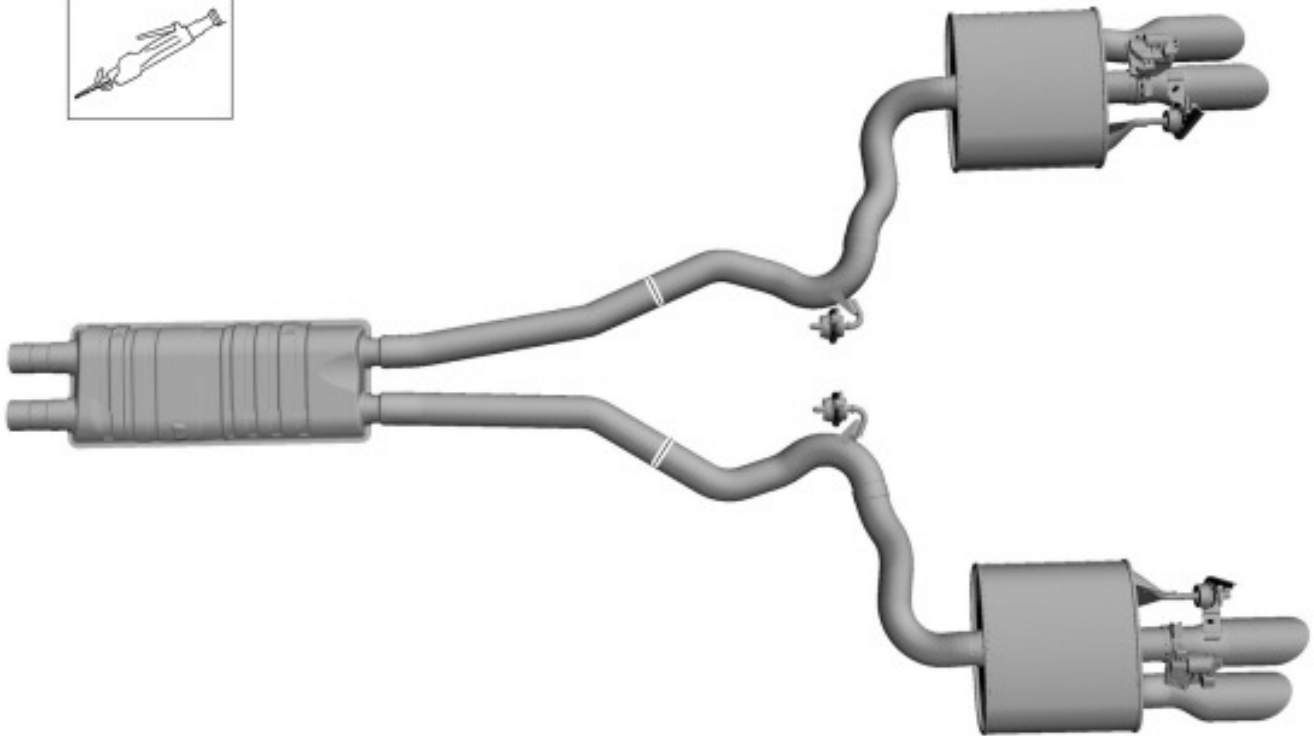
FORD PERFORMANCE

M-5200-ACT1
Mustang GT & Bullitt MY 2018 → 2022
Active Exhaust Upgrade Kit

NO PART OF THIS DOCUMENT MAY BE REPRODUCED WITHOUT PRIOR AGREEMENT AND WRITTEN PERMISSION OF
FORD PERFORMANCE PARTS © Ford Motor Company 2020

23. Partial replacement.

Carefully cut the muffler and tailpipe where shown. Discard the pipe mounted heat shields and detach the exhaust isolators hangers and remove the muffler and tailpipe assembly.
Use the General Equipment: Air Body Saw



E260087

Ford Factory Shop Manual purchase options www.motorcraftservice.com



FORD PERFORMANCE

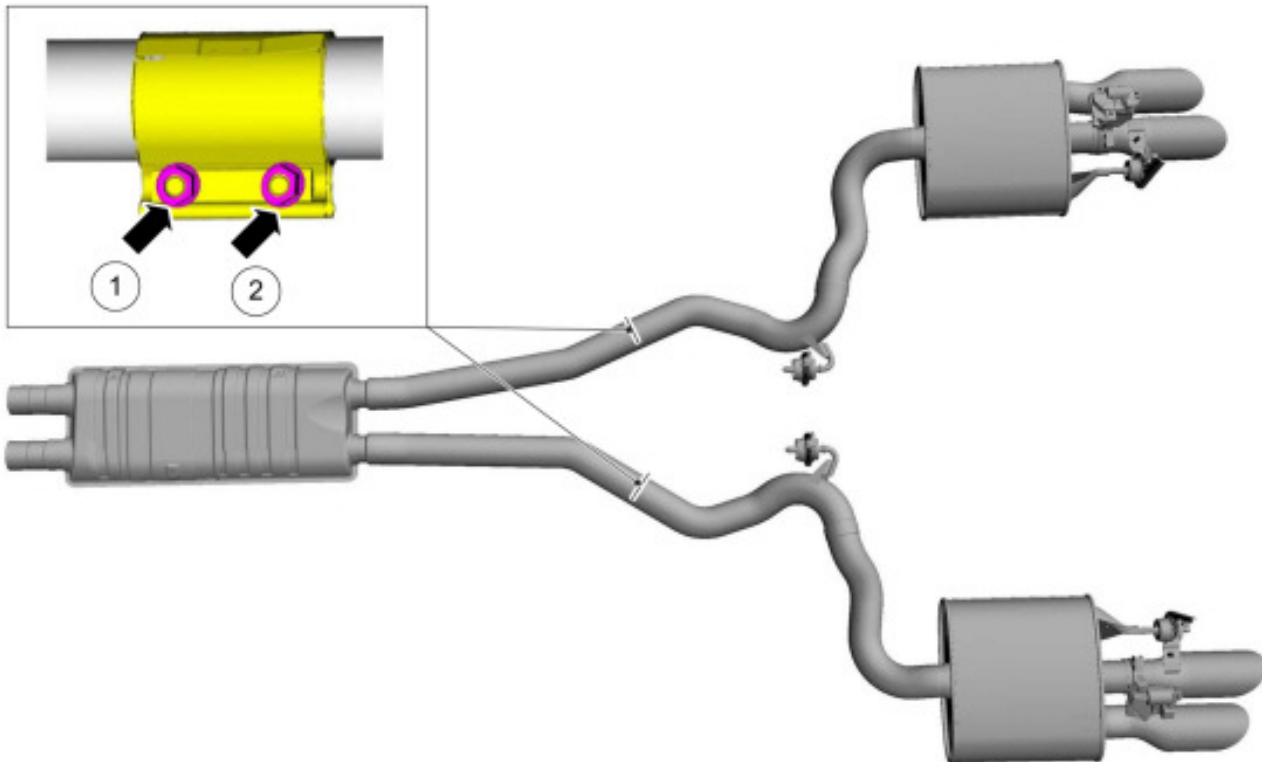
M-5200-ACT1
Mustang GT & Bullitt MY 2018 → 2022
Active Exhaust Upgrade Kit

NO PART OF THIS DOCUMENT MAY BE REPRODUCED WITHOUT PRIOR AGREEMENT AND WRITTEN PERMISSION OF FORD PERFORMANCE PARTS © Ford Motor Company 2020

24. Partial replacement.

Connect the front muffler to the rear muffler entry pipes using exhaust clamps.

Torque: 35 lb.ft (48 Nm)



E267086

Ford Factory Shop Manual purchase options www.motorcraftservice.com

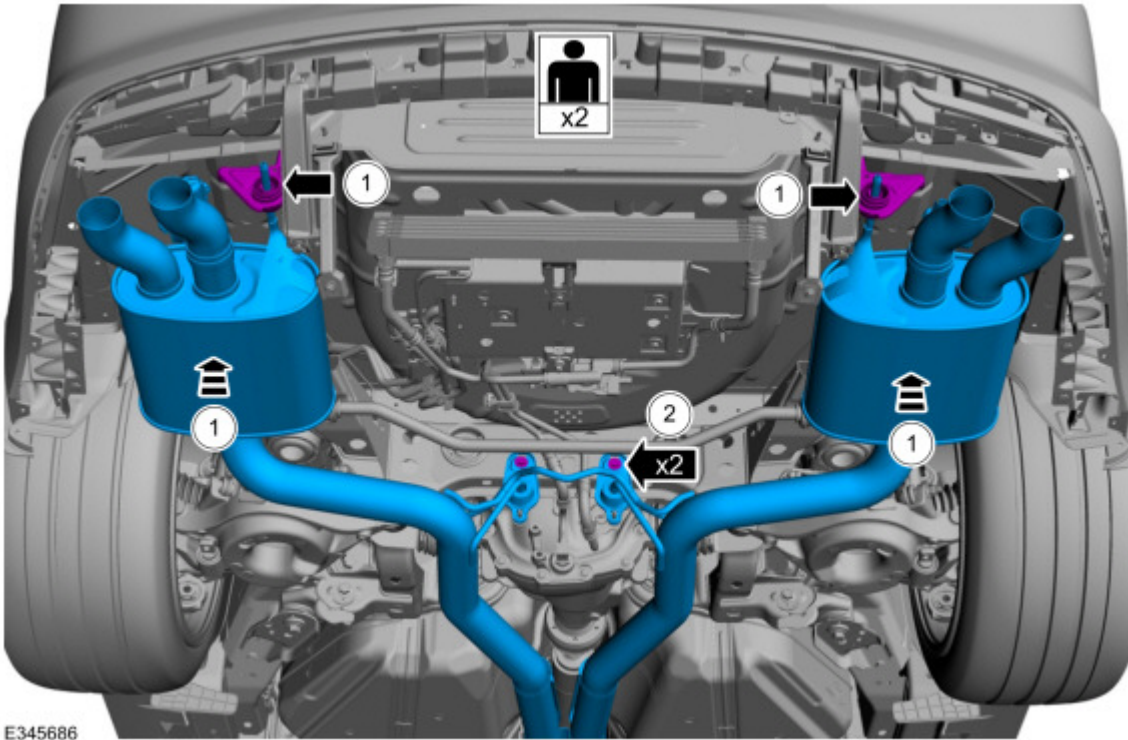


FORD PERFORMANCE

M-5200-ACT1
Mustang GT & Bullitt MY 2018 → 2022
Active Exhaust Upgrade Kit

NO PART OF THIS DOCUMENT MAY BE REPRODUCED WITHOUT PRIOR AGREEMENT AND WRITTEN PERMISSION OF FORD PERFORMANCE PARTS © Ford Motor Company 2020

25. Position the muffler and tailpipe in hanger isolators and in the vehicle.
26. Install provided intermediate exhaust hanger isolator bracket on exhaust system *Torque: 22 lb.ft (30 Nm)*.



Ford Factory Shop Manual purchase options www.motorcraftservice.com

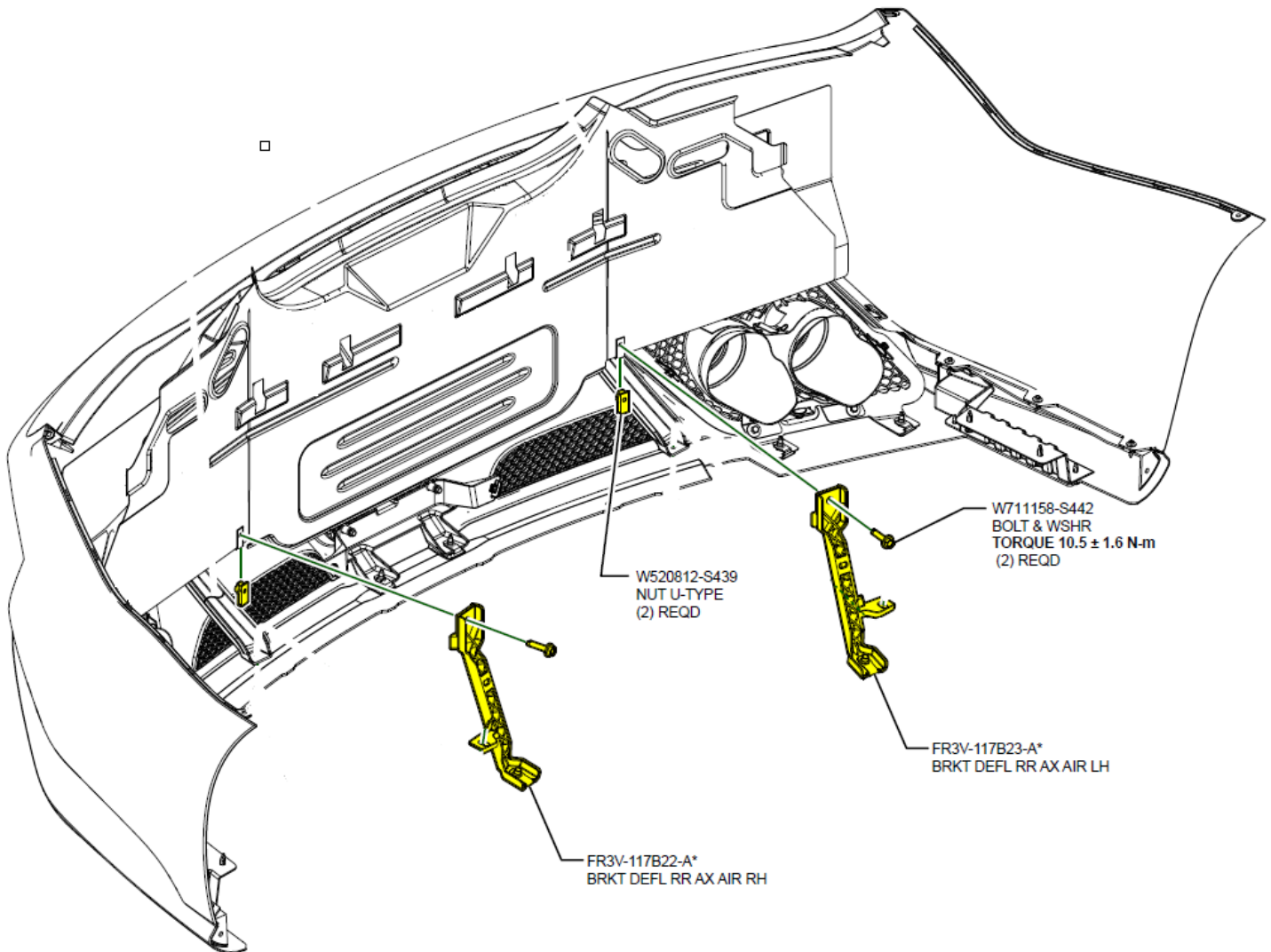


FORD PERFORMANCE

M-5200-ACT1
Mustang GT & Bullitt MY 2018 → 2022
Active Exhaust Upgrade Kit

NO PART OF THIS DOCUMENT MAY BE REPRODUCED WITHOUT PRIOR AGREEMENT AND WRITTEN PERMISSION OF FORD PERFORMANCE PARTS © Ford Motor Company 2020

27. Install M6 U-Nut on rear bumper
28. Install RH & LH Diffuser hangers using M6 x 25 Bolt
 1. Torque 10.5 +/- 1.6 Nm



Ford Factory Shop Manual purchase options www.motorcraftservice.com

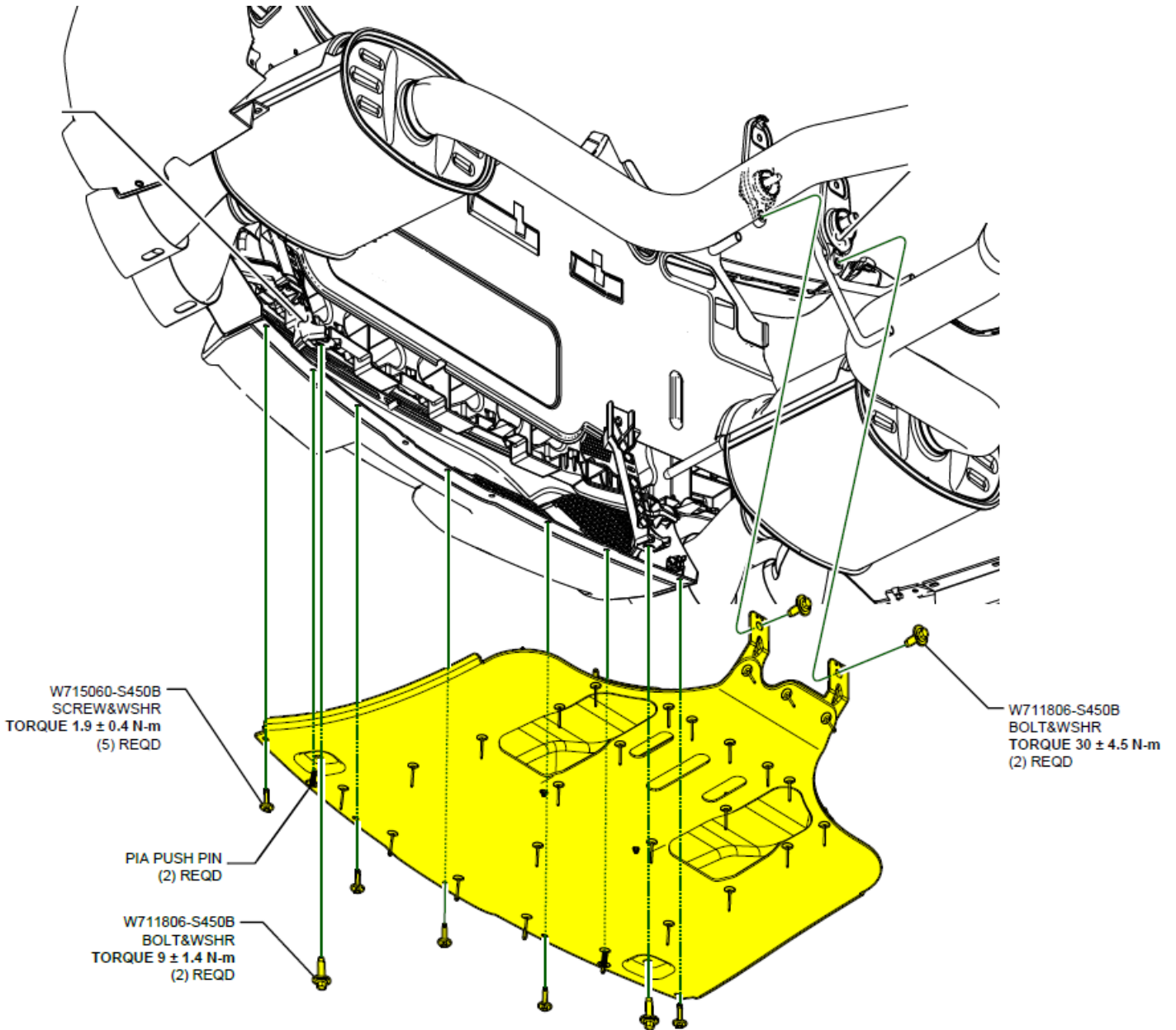


FORD PERFORMANCE

M-5200-ACT1 Mustang GT & Bullitt MY 2018 → 2022 Active Exhaust Upgrade Kit

NO PART OF THIS DOCUMENT MAY BE REPRODUCED WITHOUT PRIOR AGREEMENT AND WRITTEN PERMISSION OF FORD PERFORMANCE PARTS © Ford Motor Company 2020

29. Install Diffuser



30. Reverse Installation Procedure to reinstall rear bumper

Ford Factory Shop Manual purchase options www.motorcraftservice.com



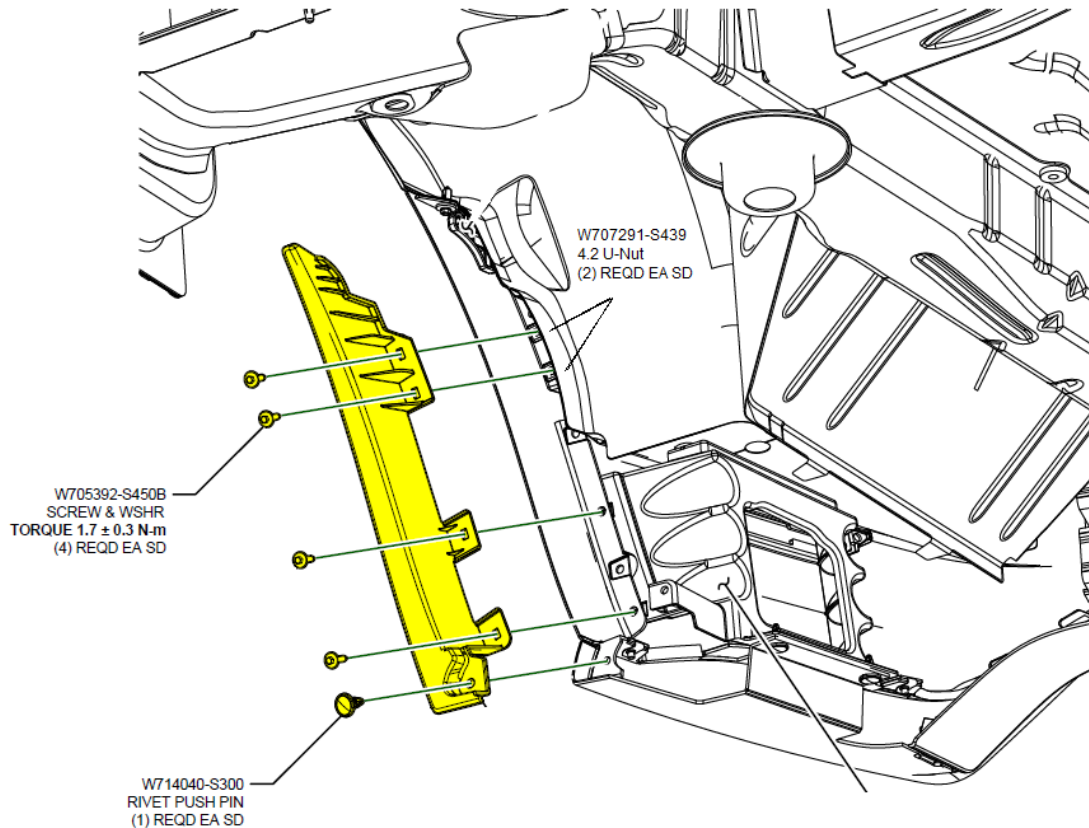
FORD PERFORMANCE

M-5200-ACT1 Mustang GT & Bullitt MY 2018 → 2022 Active Exhaust Upgrade Kit

NO PART OF THIS DOCUMENT MAY BE REPRODUCED WITHOUT PRIOR AGREEMENT AND WRITTEN PERMISSION OF FORD PERFORMANCE PARTS © Ford Motor Company 2020

31. *Optional* – Install RH and LH mud flaps

1. Install (2) U-Nuts per side for the top mounting bolts
2. Fasten (4) Bolts per side to 1.7 Nm – *Note: (4) bolts provided with kit, (4) bolts reused from step 4*



Ford Factory Shop Manual purchase options www.motorcraftservice.com