



FORD PERFORMANCE

M-5200-DHE_DHS
Model 2024+
Mustang Dark Horse catback

NO PART OF THIS DOCUMENT MAY BE REPRODUCED WITHOUT PRIOR AGREEMENT AND WRITTEN PERMISSION OF
FORD PERFORMANCE PARTS © Ford Motor Company 2020

PRIOR TO INSTALLATION READ THESE INSTRUCTION COMPETELY
For questions, Call the FORD PERFORMANCE Techline 1-800-367-3788

Please visit <https://www.performanceparts.ford.com> for warranty information

OVERVIEW:

The use of a floor hoist is recommended for this installation. If you do not have access to one, use a hydraulic floor jack and jack stands to raise the vehicle.

!! CAUTION: JACK STANDS MUST BE USED ON A LEVEL SURFACE AND BE SECURELY SEATED. FAILURE TO DO SO MAY RESULT IN PERSONAL INJURY OR VEHICLE DAMAGE !!

KIT INCLUDES:

<u>Description</u>	<u>Qty:</u>
Rear Muffler	2
Front muffler or X-pipe	1
Clamp	4
Left Hand Intermediate Pipe	1
Right Hand Intermediate Pipe	1

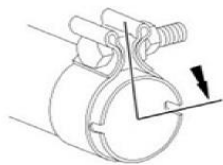
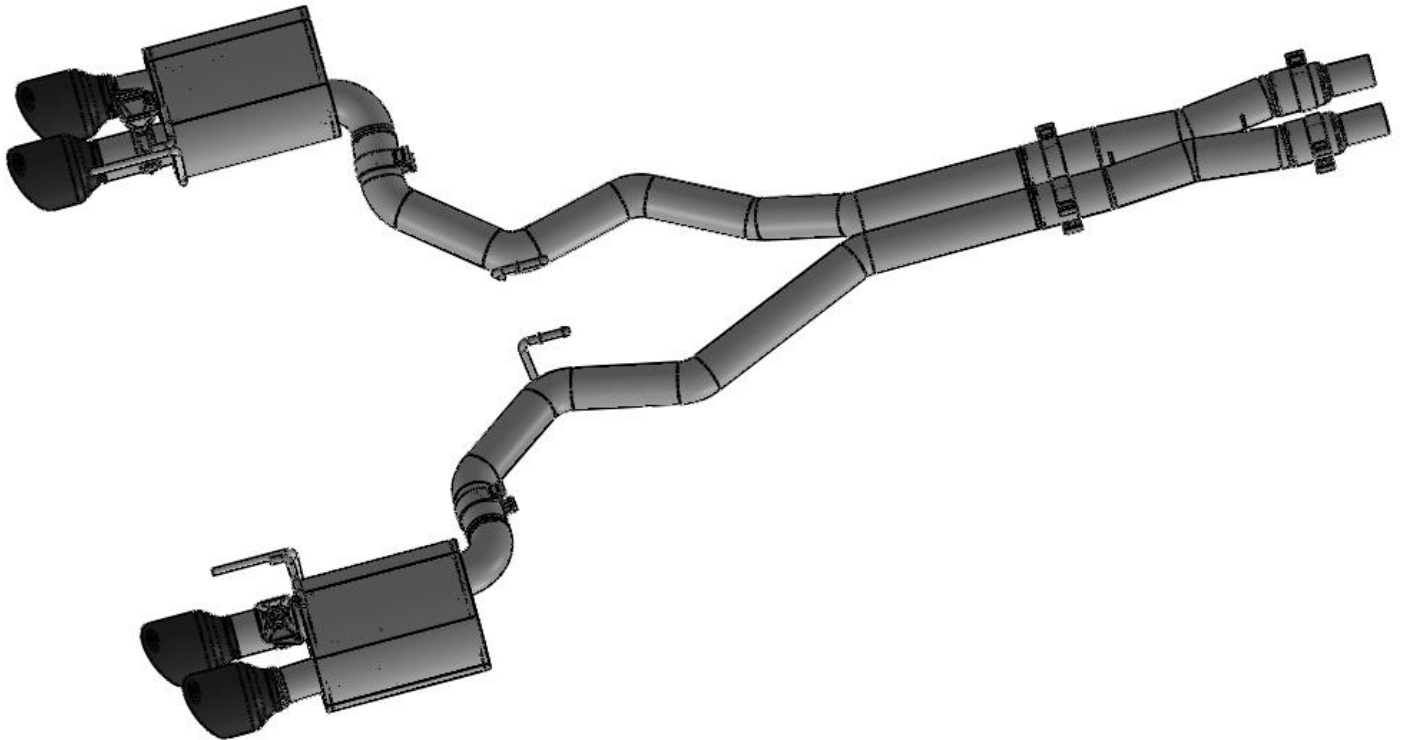
Factory Ford shop manuals are available from Helm Publications, 1-800-782-4356



FORD PERFORMANCE

M-5200-DHE_DHS
Model 2024+
Mustang Dark Horse catback

Representative image for M-5200-DHE and M-5200-DHS



To tighten the exhaust clamp.

- **The exhaust clamp should be installed to within a 1/16" of the edge of the expanded and notched pipe.**
- **The Bolt section should not be over either of the notches, Perpendicular to the notches is preferred.**
- **Tighten to 48 Nm (35 lb./Ft.)**

Factory Ford shop manuals are available from Helm Publications, 1-800-782-4356

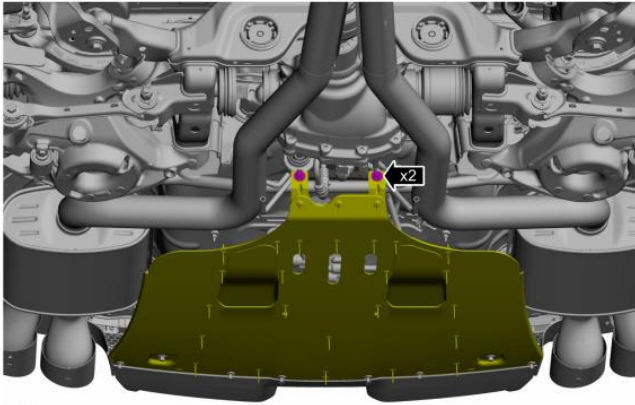


FORD PERFORMANCE

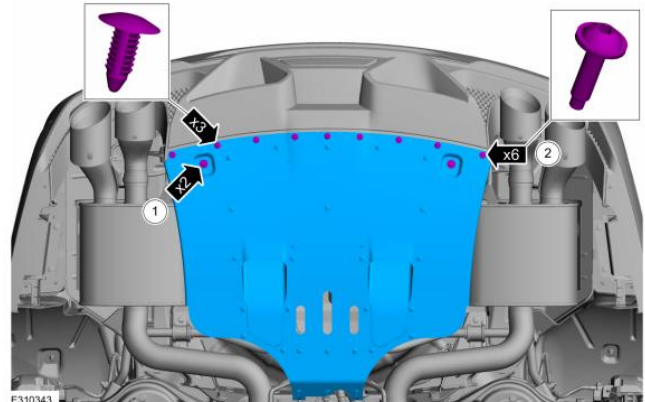
M-5200-DHE_DHS
Model 2024+
Mustang Dark Horse catback

REMOVAL INSTRUCTIONS:

STEP 1: Raise and support vehicle. Remove the underbody cover shown.

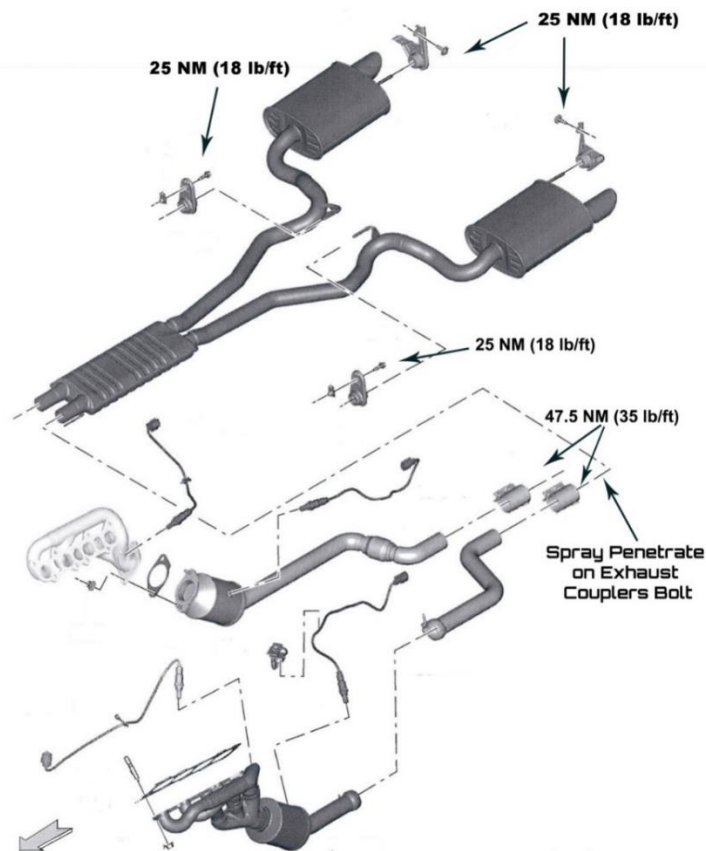


E310342



E310343

STEP 2: Spray penetrate on exhaust coupler bolts. Loosen all Exhaust coupler bolts.



Factory Ford shop manuals are available from Helm Publications, 1-800-782-4356



FORD PERFORMANCE

M-5200-DHE_DHS
Model 2024+
Mustang Dark Horse catback

STEP 3: Disconnect the valves at the rear mufflers (LH and RH). Pull the pin holding the connector in slide it out of the valve actuator assy.



STEP 4: Using a 15mm socket loosen nuts on clamps at the front of the factory System.



Factory Ford shop manuals are available from Helm Publications, 1-800-782-4356



FORD PERFORMANCE

M-5200-DHE_DHS
Model 2024+
Mustang Dark Horse catback

STEP 5: Using a 13mm socket to remove bolts from exhaust hangers in rear Sub-frame near the rear axle, LH and RH sides.



STEP 6: After loosening exhaust clamps, slide clamps back on exhaust pipe releasing them from the down pipes. Remove clamps from resonator pipes and slide back onto down pipes.



Factory Ford shop manuals are available from Helm Publications, 1-800-782-4356



FORD PERFORMANCE

M-5200-DHE_DHS
Model 2024+
Mustang Dark Horse catback

Step 7: Allowing exhaust to hang down, remove rear mufflers from hangers by moving the exhaust system towards front of vehicle.
Note: Have someone help with this step.



Factory Ford shop manuals are available from Helm Publications, 1-800-782-4356



FORD PERFORMANCE

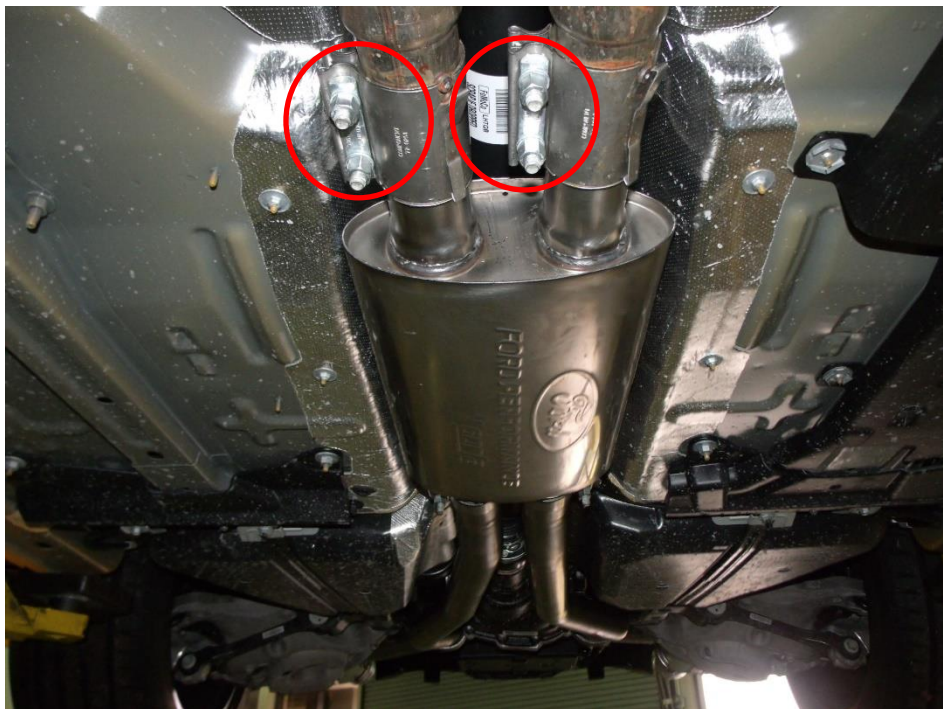
M-5200-DHE_DHS
Model 2024+
Mustang Dark Horse catback

INSTALLATION INSTRUCTIONS:

Step 1: Remove factory exhaust clamps from system and slide them onto flex pipes locking the lock tabs in place.



Step 2: Install new front muffler (x-pipe) onto clamps. Snug but do not tighten.



Factory Ford shop manuals are available from Helm Publications, 1-800-782-4356



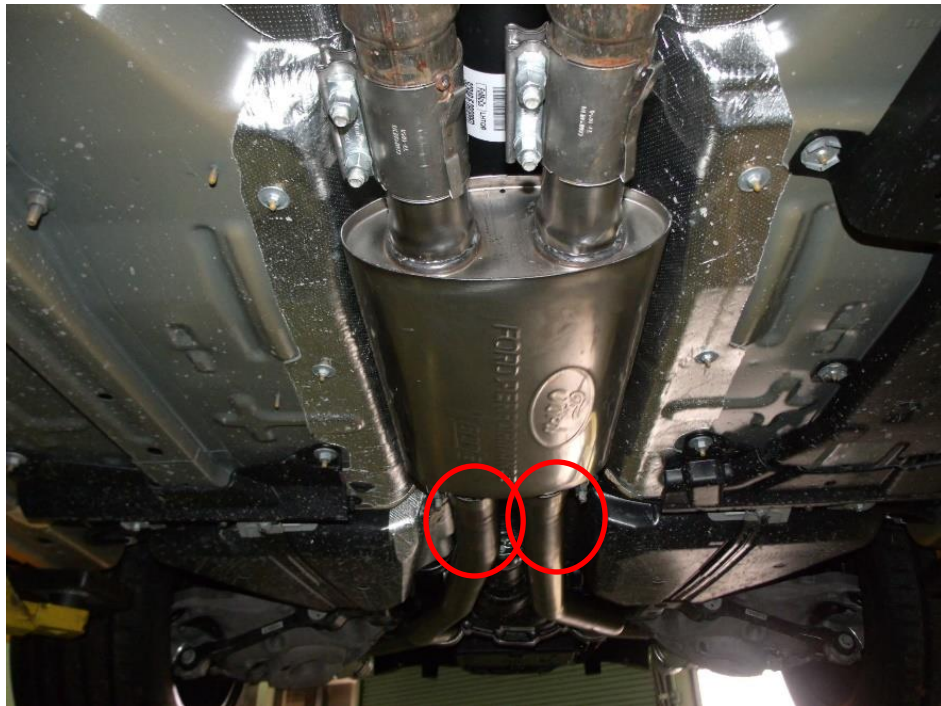
FORD PERFORMANCE

M-5200-DHE_DHS
Model 2024+
Mustang Dark Horse catback

Step 3: Install factory hangers (previously removed) onto under axle pipes.



Step 4: Install supplied clamps onto front muffler side of under axle pipes, slide pipes/clamps onto front muffler. Using a 13mm socket install bolts in exhaust hangers in rear sub frame.



Factory Ford shop manuals are available from Helm Publications, 1-800-782-4356



FORD PERFORMANCE

M-5200-DHE_DHS
Model 2024+
Mustang Dark Horse catback



Step 5: Using a 13mm socket tighten bolts to 25 nm (18 lb-ft) in rear sub-frame exhaust hangers.



Factory Ford shop manuals are available from Helm Publications, 1-800-782-4356



FORD PERFORMANCE

M-5200-DHE_DHS
Model 2024+
Mustang Dark Horse catback

NOTE: For systems with valves, the actuator will have to be removed from the factory system by removing 3 nuts as shown and attached to the valve on the new exhaust. The Factory bracket also needs to be installed in the factory location.



Factory Ford shop manuals are available from Helm Publications, 1-800-782-4356



FORD PERFORMANCE

M-5200-DHE_DHS
Model 2024+
Mustang Dark Horse catback

Step 6: Install supplied clamps onto the new muffler inlets and slide muffler hangers into factory exhaust hangers. Next slide the mufflers over the under axle pipes, centering tips in rear bumper opening. Attach the wiring harness to the valves.



Factory Ford shop manuals are available from Helm Publications, 1-800-782-4356



FORD PERFORMANCE

M-5200-DHE_DHS
Model 2024+
Mustang Dark Horse catback

Step 7: Check your exhaust system for proper clearance under the vehicle and also for tip alignment, tighten the clamps to 48 Nm (32-35 ft. lbs), checking tip alignment and clearances as you do. There should be a minimum gap of 25mm from the tips to the edge of the car, and the tips should be in 25mm from the outermost edge of the rear bumper.



STEP 8: Start vehicle and check for any leaks. If any leaks are found, determine cause (such as loose or incorrectly positioned clamp) and repair as necessary.

STEP 9: Replace the underbody cover panel removed on page 3.

Congratulations!!! You have completed the installation of your new Ford Performance Parts Exhaust Kit.

Note: When you first start your vehicle after the installation of your new Ford Performance Parts Exhaust System, there may be some smoke and fumes coming from the system. This is a protective water based coating used in the manufacturing of mandrel bent performance exhaust tubing. This is not a problem and will disappear within a very short period of time after the exhaust has reached operating temperatures.

Factory Ford shop manuals are available from Helm Publications, 1-800-782-4356