



Exhaust System Installation M-5200-F15R145L



Ford Motor Company recommends that your Ford dealer or professional after market parts installer, who has all the necessary equipment, tools and experienced personnel needed for proper installation, should perform the installation of this system. However, if you decide to perform the installation, we recommend someone should help you. Ensure the installer uses all under car safety precautions including eye protection.

Thank you for purchasing a Ford Racing Performance Parts Exhaust Kit.

This Ford Racing Performance Parts Exhaust Kit (Part number M-5200-F15R145L) is designed for the Ford Raptor, 6.2L engine, AWD drive and automatic transmission.

Caution!!! Never work on a hot exhaust system. Serious injury in the form of burns can result if the vehicle has been in use and the exhaust system is hot, allow vehicle to cool for at least 1 hour. Always wear eye protection when working under any vehicle.

Note: It is our recommendation that you use a hoist or hydraulic lift to facilitate the installation of your new Ford Performance Parts Exhaust Kit.

Taking all under car safety precautions, lift the vehicle using a hoist or hydraulic lift. Once this has been done, you may begin the removal of your old exhaust system from your vehicle.

Note: Before removing the original exhaust system from your vehicle, please compare the parts you have received with the bill of materials provided on the next page to assure that you have all the parts necessary for the installation of your new Ford Racing Performance Parts Exhaust Kit.

Minimum Required Tool List:

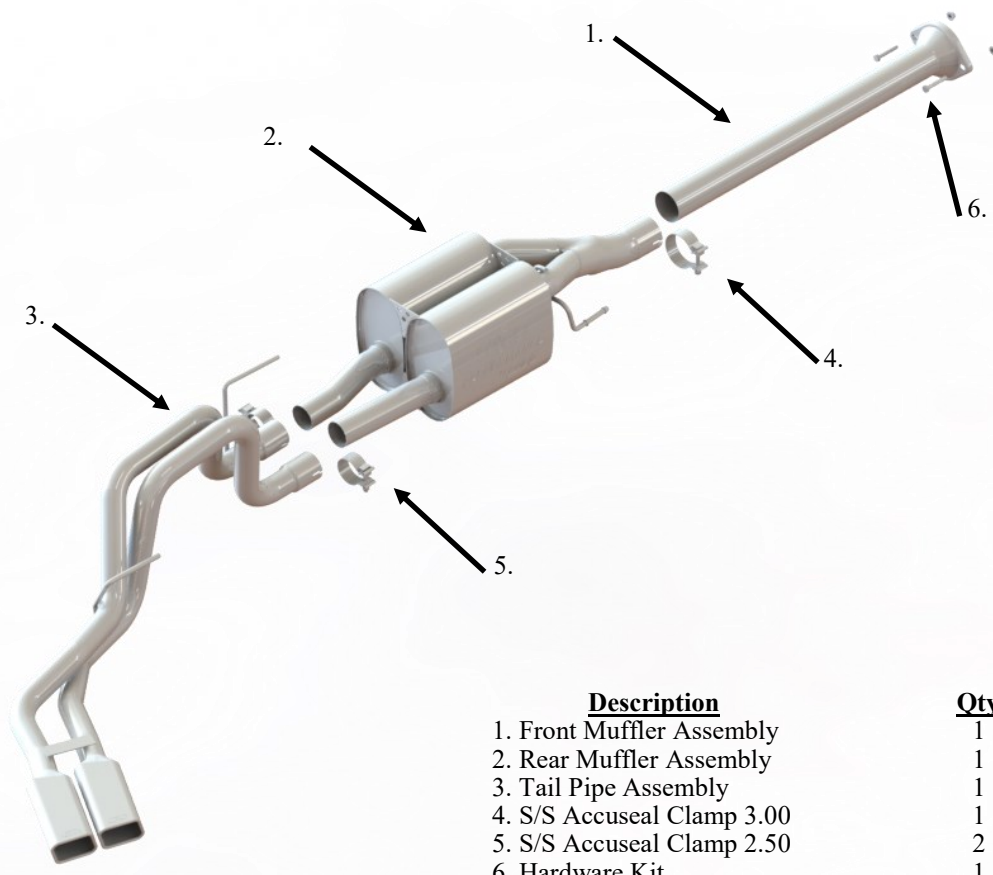
TOOLS:

- 1 3/8" Drive Ratchet
- 2 3/8" Drive Extension 3"
- 3 15mm Deep Well Socket
- 5 Pry Bar

SHOP SUPPLIES:

- 1 Spray Lubricant

Ford Racing Performance Parts Exhaust Kit Bill of Materials



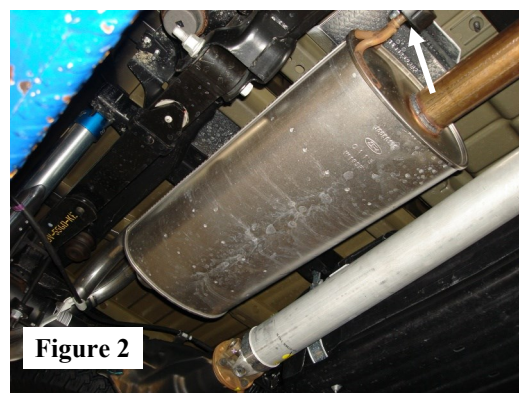
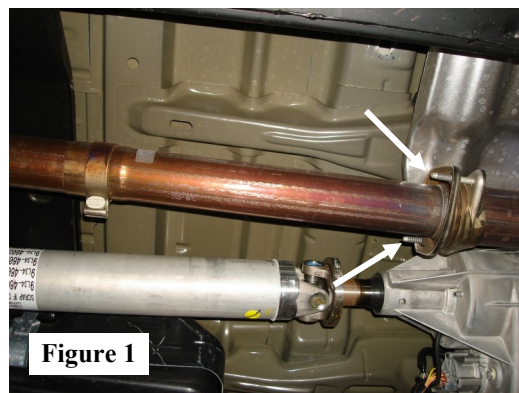
<u>Description</u>	<u>Qty.</u>
1. Front Muffler Assembly	1
2. Rear Muffler Assembly	1
3. Tail Pipe Assembly	1
4. S/S Accuseal Clamp 3.00	1
5. S/S Accuseal Clamp 2.50	2
6. Hardware Kit	1

Original Exhaust System Removal

Note: With a used vehicle, we suggest a penetrating spray lubricant to be applied liberally to all exhaust fasteners and allowing a significant period of time for the chemical to lubricate the threads before attempting to disassemble.

1. Lubricate all hangers and rubber isolators.
2. Unbolt the clamp located in front of the muffler assembly. (See Fig.1)
3. Using a muffler stand or an additional person to hold the exhaust system up in place, remove the hangers from the rubber isolators and remove the exhaust system from the vehicle. (See Fig.2)

Warning: Use extreme caution during installation. Torque all fasteners according to manufacturer's torque values and tightening sequence. DO NOT use air impact tools to tighten fasteners on Ford Racing Performance Parts Exhaust Kit Use of such tools may result in bent flanges or gasket contact areas leading to exhaust



Ford Racing Performance Parts Exhaust Kit Installation

1. Place front pipe in position installing the hanger into the rubber isolator. (See Fig. 3)
2. Place a clamp over the expanded end of the muffler and set it into position installing the hangers into the rubber isolators. (See Fig. 4) DO NOT tighten the clamp.
3. Place a clamp over the expanded end of the tail pipe and set it into position installing the hanger into the rubber isolator. (See Fig. 5) DO NOT tighten the clamp.
4. Check your exhaust system for proper clearance under the vehicle and also for tip alignment.
5. Once position has been determined to be correct, tighten the Accuseal clamps to 32-35 ft. lbs.
6. Before starting your vehicle, make sure to check all wires, hoses, brake lines, body parts and tires for safe clearance from the exhaust system.
7. Start vehicle and check for any leaks. If any leaks are found, determine cause (such as loose or incorrectly positioned clamp) and repair as necessary.

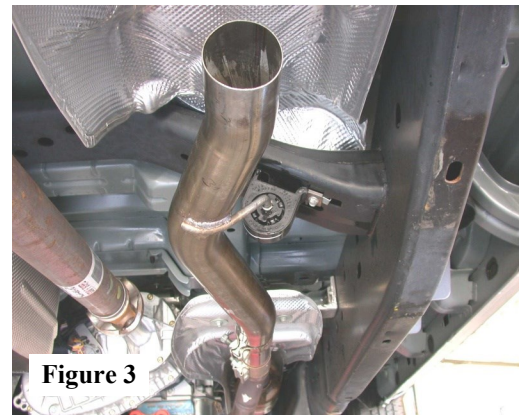


Figure 3



Figure 4

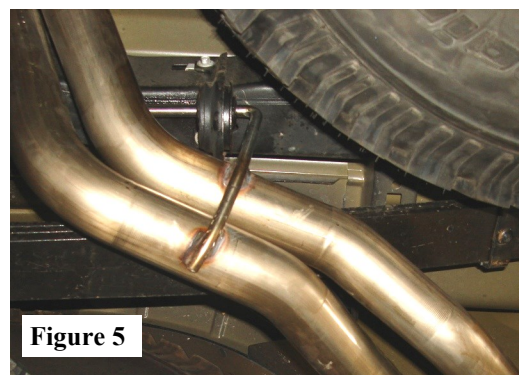


Figure 5

Warning: Use extreme caution during installation. Torque all fasteners according to manufacturer's torque values and tightening sequence. DO NOT use air impact tools to tighten fasteners on Ford Racing Performance Parts Exhaust Kit Use of such tools may result in bent flanges or gasket contact areas leading to exhaust leaks.

Congratulations!!! You have completed the installation of the Ford Racing Performance Exhaust Kit.