



FORD PERFORMANCE

Part Numbers: M-5200-M4EBA/ECA/EFA/SBA/SCA/SFA/TBA/  
TCA/TFA/GBA/GCA/GFA 2018 2.3L Cat Back Exhaust System  
INSTALLATION INSTRUCTIONS

Please visit [www.fordracingparts.com](http://www.fordracingparts.com) for the most current instruction information

**!!! PLEASE READ ALL OF THE FOLLOWING INSTRUCTIONS CAREFULLY PRIOR TO  
INSTALLATION.**

**AT ANY TIME, YOU DO NOT UNDERSTAND THE INSTRUCTIONS, PLEASE CALL THE FORD  
RACING TECHLINE AT 1-800-367-3788**

## OVERVIEW:

*The use of a floor hoist is recommended for this installation. If you do not have access to one, use a hydraulic floor jack and jack stands to raise the vehicle.*

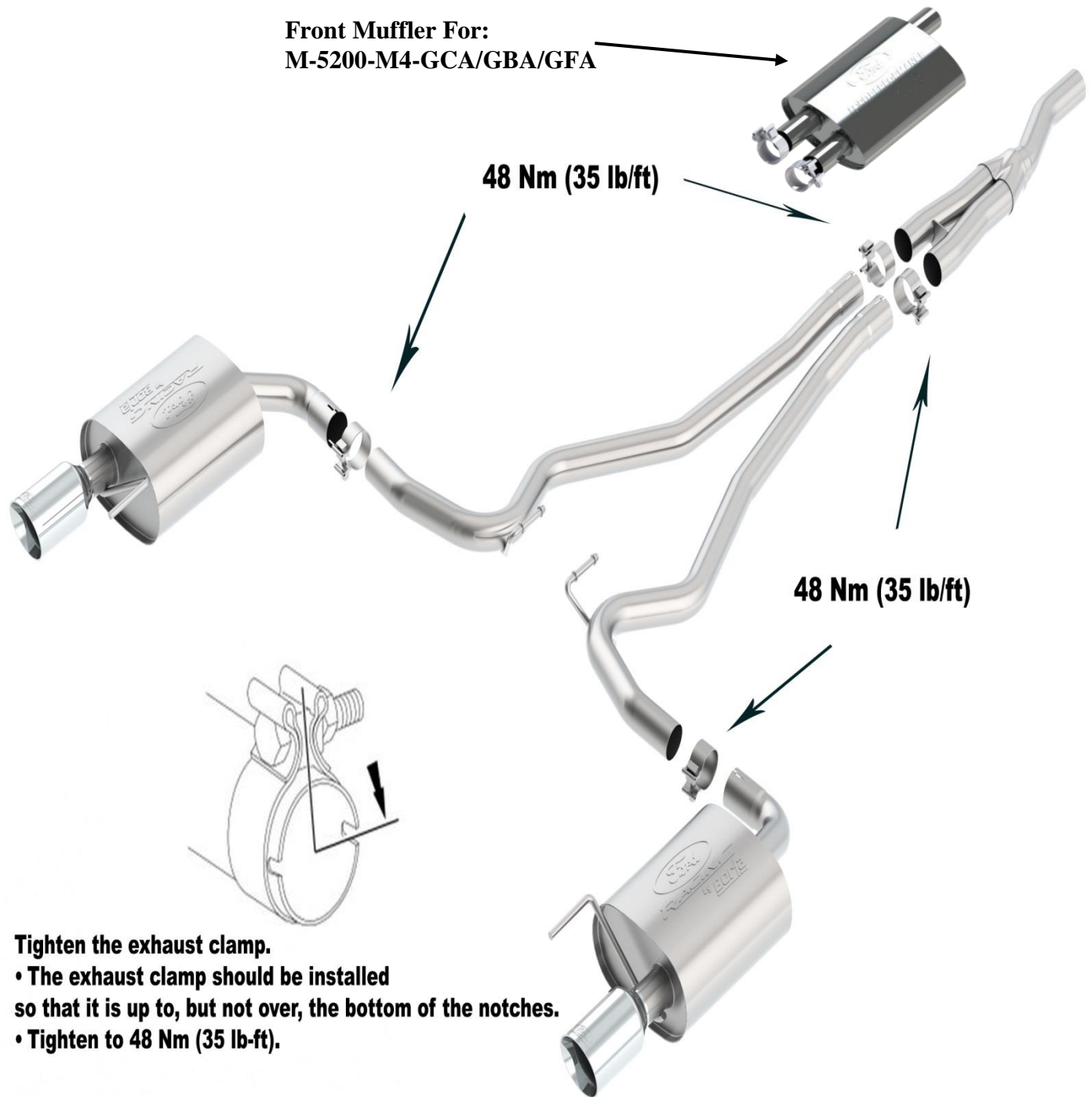
**!! CAUTION: JACK STANDS MUST BE USED ON A LEVEL SURFACE AND BE SECURELY SEATED. FAILURE TO DO SO MAY RESULT IN PERSONAL INJURY OR VEHICLE DAMAGE !!**

## KIT INCLUDES:

<u>Description</u>	<u>Qty:</u>
Rear Muffler	2
Front muffler or X-pipe	1
Clamp	4
Left Hand Intermediate Pipe	1
Right Hand Intermediate Pipe	1

Factory Ford shop manuals are available from Helm Publications, 1-800-782-4356

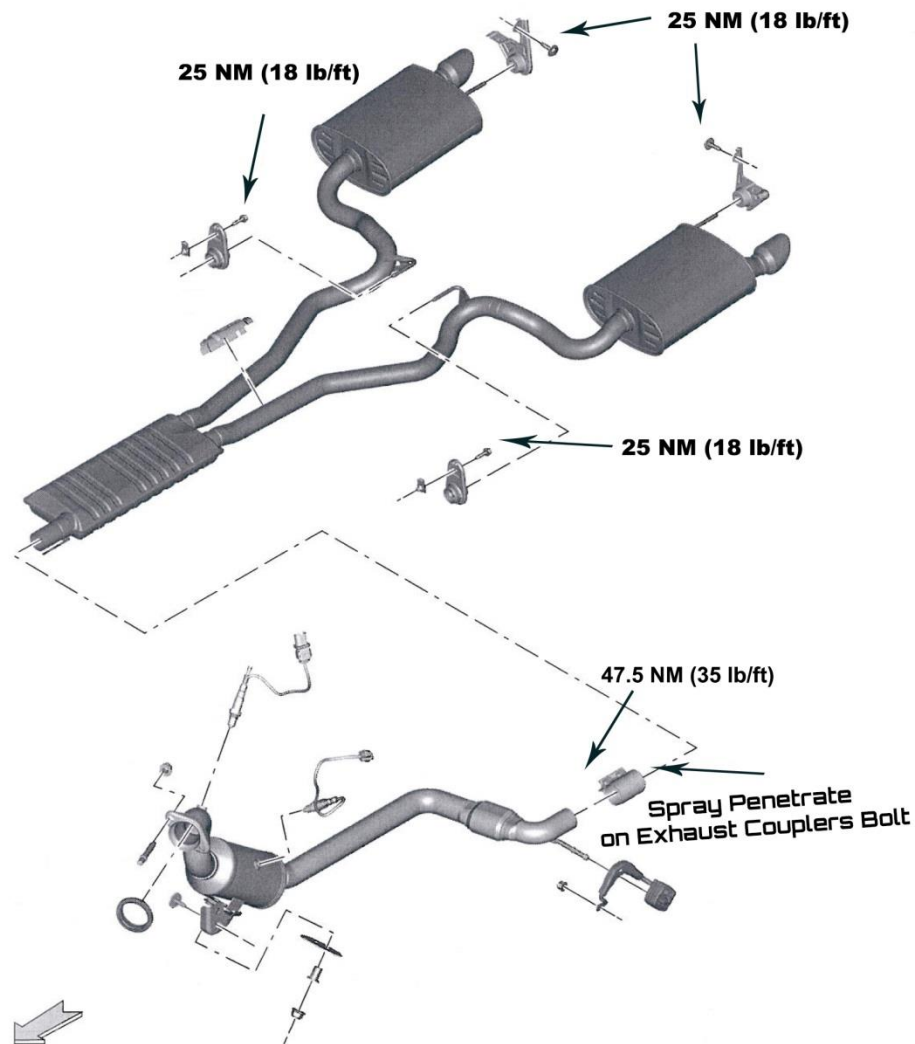
## Image of New Cat Back Exhaust System:



## INSTALLATION INSTRUCTIONS:

**STEP 1:** Raise and support vehicle.

**STEP 2:** Spray penetrate on Exhaust coupler bolts. Loosen all Exhaust coupler bolts.



**STEP 3:** Using a 15mm socket loosen nuts on clamps (See Fig. 3).



**Fig. 3**

**STEP 4:** Using a 13mm socket remove bolts from exhaust hangers in rear sub frame (See Fig. 4).



**Fig. 4**

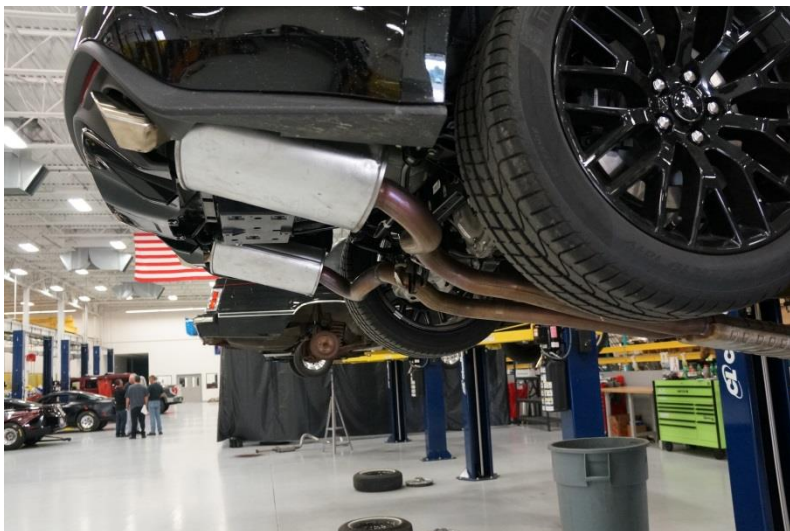
**STEP 5:** After loosening exhaust clamps, slide clamps back on exhaust pipe releasing them from the flex pipes. (See Fig. 5)



**Fig. 5**

**Step 6:** Allowing exhaust to hang down, remove rear mufflers from hangers by moving the exhaust system towards front of vehicle. (See Fig. 6)

**Note:** Have someone help with this step.



**Fig. 6**

**Step 7:** Remove factory exhaust clamp from system and slide them onto flex pipes  
Locking the lock tabs in place. (See Fig.7)



**Fig. 7**

**Step 8:** Install new y-pipe into clamp and tighten to 47.5 nm (35 lb-ft) (See Fig. 8)  
*(System #'s M-5200-M4 – GCA/GBA/GFA will install the new front muffler instead and tighten to 47.5nm (35lb-ft).)*



**Fig. 8**

**Step 9:** Install factory removed hanger onto under axle pipes. (See Fig 9)



**Fig. 9**

**Step 10:** Install supplied clamps onto y-pipe side of under axle pipes, slide pipes/clamps onto y-pipe. (See fig. 10)



**Fig. 10**

**Step 11:** Using a 13mm socket tighten bolts to 25 nm (18 lb-ft) in rear Sub frame exhaust hangers. (See fig. 11)



**Fig. 11**

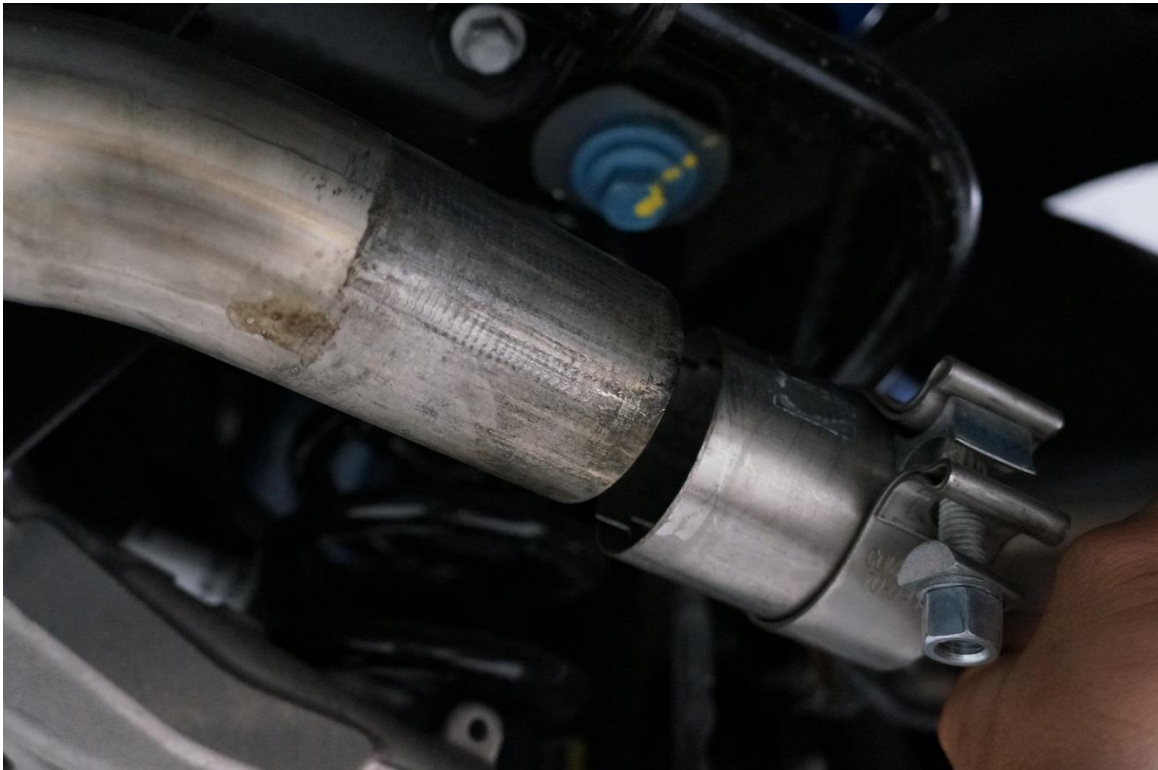
**Step 12:** Using a 15mm socket tighten nuts on y-pipe clamps (See Fig. 12).



**Fig. 12**



**Step 13:** Install supplied clamps onto new muffler, slide muffler hangers into factory exhaust hangers. Next slide the muffler over the under axle pipes, center muffler in rear bumper opening and tighten clamps to 48 nm (35 lb-ft) (See Fig. 13)



**Fig. 13**

**Step 14:** Check all fasteners for proper torque.

**Step 15:** Check alignment of mufflers in rear bumper cover.



**Step 16:** Lower vehicle and road test.