



FORD PERFORMANCE

M-5200-M5EB/EC/EBV/ECV/EBVA/ECVA/SB/SC/SBV/SCV/SBVA/SCVA/
TBV/TCV
Model 2024+
Mustang 5.0L catback exhaust

NO PART OF THIS DOCUMENT MAY BE REPRODUCED WITHOUT PRIOR AGREEMENT AND WRITTEN PERMISSION OF
FORD PERFORMANCE PARTS © Ford Motor Company 2020

PRIOR TO INSTALLATION READ THESE INSTRUCTION COMPETELY
For questions, Call the FORD PERFORMANCE Techline 1-800-367-3788

Please visit <https://www.performanceparts.ford.com> for warranty information

OVERVIEW:

The use of a floor hoist is recommended for this installation. If you do not have access to one, use a hydraulic floor jack and jack stands to raise the vehicle.

!! CAUTION: JACK STANDS MUST BE USED ON A LEVEL SURFACE AND BE SECURELY SEATED. FAILURE TO DO SO MAY RESULT IN PERSONAL INJURY OR VEHICLE DAMAGE !!

Bill of Materials

1. Feature Car Rear Valence
2. Rear Diffuser
3. (2) Exhaust Intermediate Hangers
4. RH & LH Diffuser Hangers
5. (4) W520812-S426 NUT U SPG M6 0.8-4
6. (2) W709990-S439 NUT U SPG M8 0.8-4 PTM
7. (2) W711158-S439 BOLT&WSHR M6X25 HX CTP PTC FL 8
8. (2) W711806-S442 BOLT&WSHR M8X25 HF CNP FL 8
9. (5) W715060-S450B SCREW&WSHR 4.2X25 HX SPH FL TH

Factory Ford shop manuals are available from Helm Publications, 1-800-782-4356



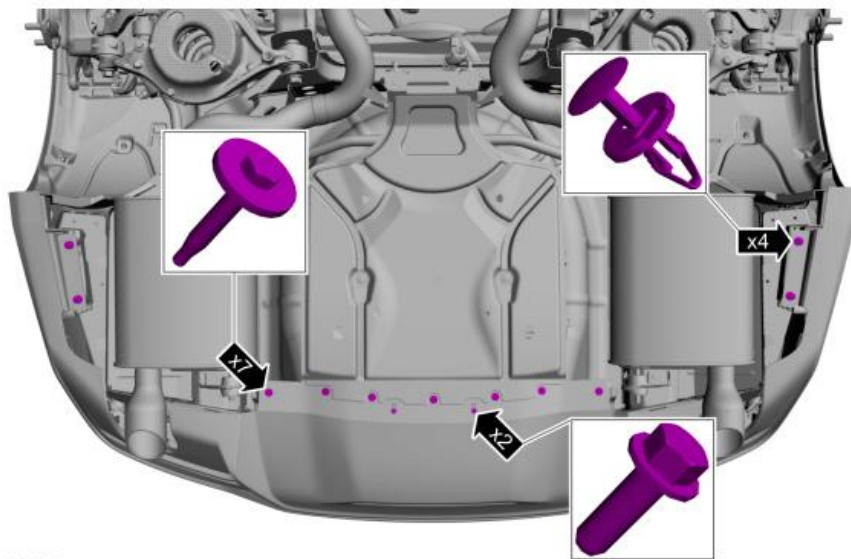
FORD PERFORMANCE

M-5200-M5EB/EC/EBV/ECV/EBVA/ECVA/SB/SC/SBV/SCV/SBVA/SCVA/
TBV/TCV
Model 2024+
Mustang 5.0L catback exhaust

Removal - All Vehicles

NOTE: Removal steps in this procedure may contain installation details.

1. Remove the rear wheels and tires.
Refer to: Wheel and Tire (204-04A Wheels and Tires, Removal and Installation).
2. Remove the screws, the bolts and the push pins.
Torque: 18 lb.in (2 Nm)



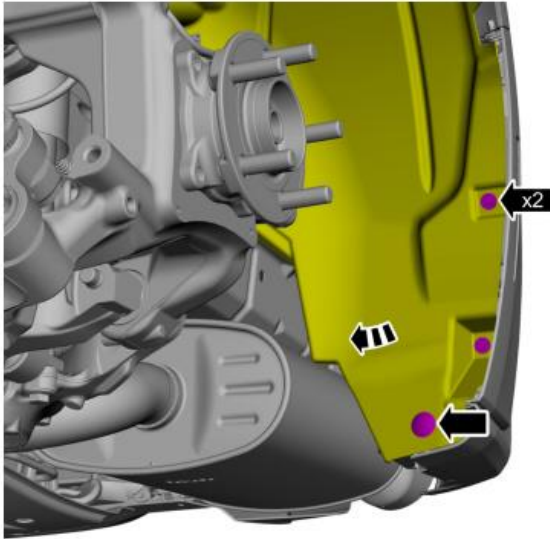
3. On both sides.
Remove the screw, the push pins and position the wheel liner aside.

Factory Ford shop manuals are available from Helm Publications, 1-800-782-4356



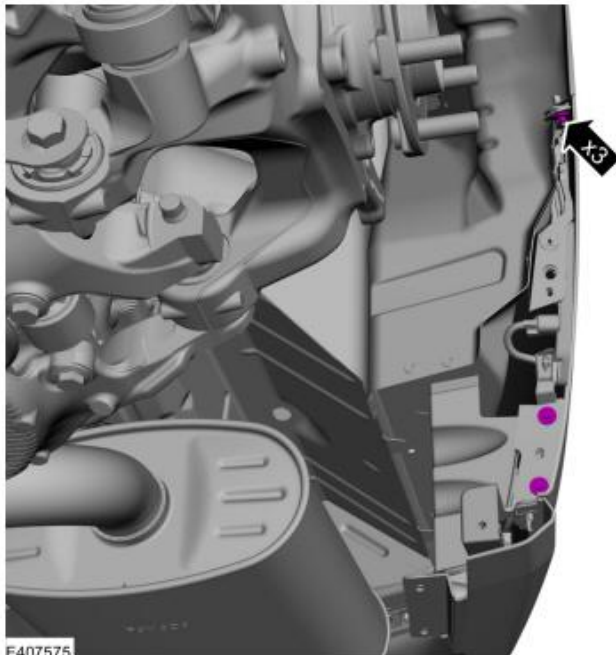
FORD PERFORMANCE

M-5200-M5EB/EC/EBV/ECV/EBVA/ECVA/SB/SC/SBV/SCV/SBVA/SCVA/
TBV/TCV
Model 2024+
Mustang 5.0L catback exhaust



E407574

4. On both sides.
Remove the bumper cover to bracket screws. Save for later
Torque: 17 lb.in (1.9 Nm)



E407575

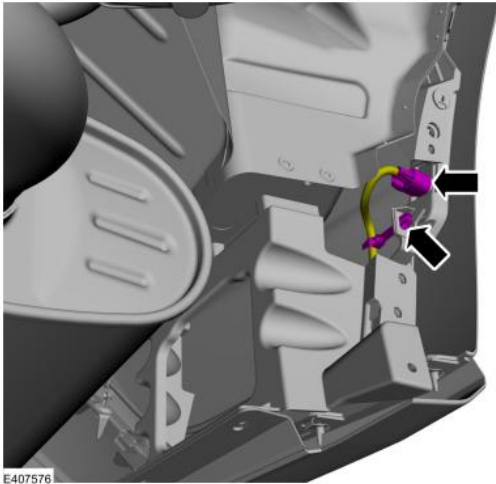
5. On both sides.
Disconnect the electrical connector and detach the wiring retainer.

Factory Ford shop manuals are available from Helm Publications, 1-800-782-4356



FORD PERFORMANCE

M-5200-M5EB/EC/EBV/ECV/EBVA/ECVA/SB/SC/SBV/SCV/SBVA/SCVA/
TBV/TCV
Model 2024+
Mustang 5.0L catback exhaust

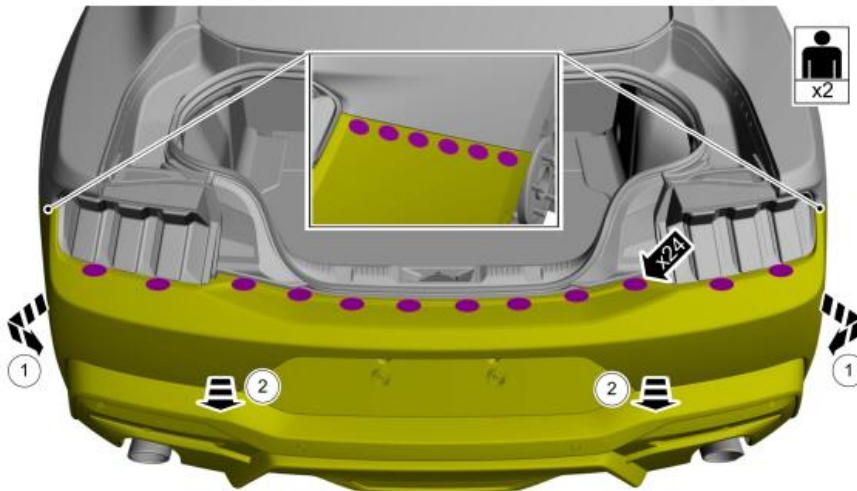


E407576

6. **NOTE:** This step requires the aid of another technician.

Position the rear bumper cover aside for access to electrical connector.

1. Release the sides of the rear bumper cover from the side brackets.
10. Release the rear bumper cover from the rear brackets and position aside.



E407577

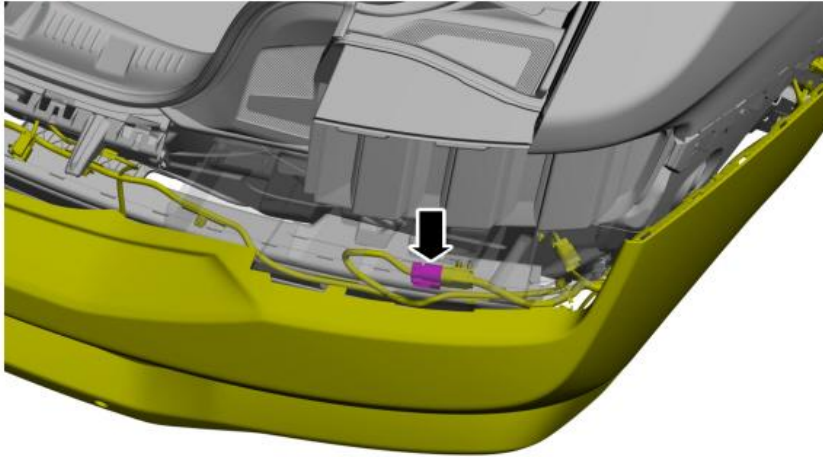
7. Disconnect the rear bumper wiring harness electrical connector.

Factory Ford shop manuals are available from Helm Publications, 1-800-782-4356



FORD PERFORMANCE

M-5200-M5EB/EC/EBV/ECV/EBVA/ECVA/SB/SC/SBV/SCV/SBVA/SCVA/
TBV/TCV
Model 2024+
Mustang 5.0L catback exhaust



E407578

8. **NOTE:** *This step requires the aid of another technician.*

Remove the rear bumper cover.



E407579

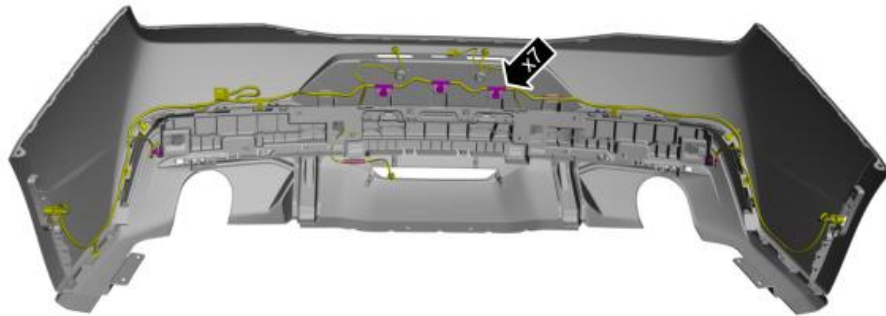
9. Detach the wiring harness guides and position the harness aside.

Factory Ford shop manuals are available from Helm Publications, 1-800-782-4356



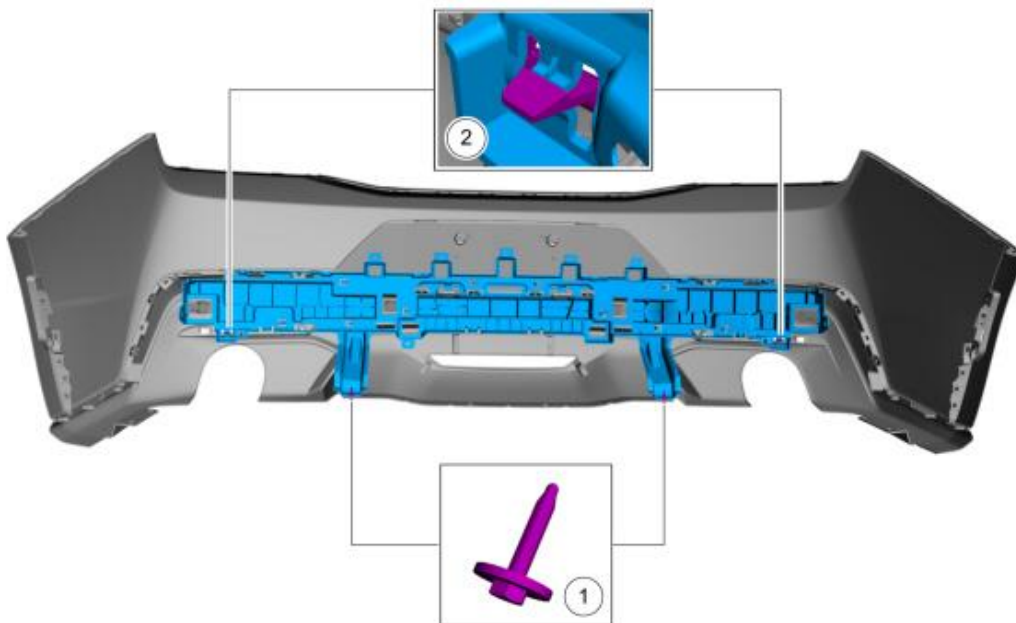
FORD PERFORMANCE

M-5200-M5EB/EC/EBV/ECV/EBVA/ECVA/SB/SC/SBV/SCV/SBVA/SCVA/
TBV/TCV
Model 2024+
Mustang 5.0L catback exhaust



E406507

10. Remove the screws and release the tabs and remove the rear bumper cover reinforcement.



E406508

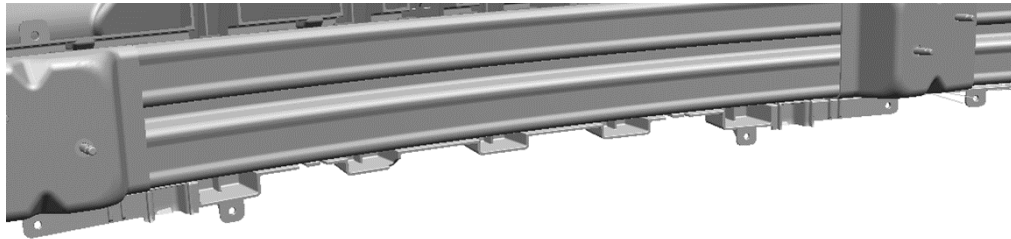
11. cut hangers on bumper to create clearance for new valence

Factory Ford shop manuals are available from Helm Publications, 1-800-782-4356



FORD PERFORMANCE

M-5200-M5EB/EC/EBV/ECV/EBVA/ECVA/SB/SC/SBV/SCV/SBVA/SCVA/
TBV/TCV
Model 2024+
Mustang 5.0L catback exhaust



12.

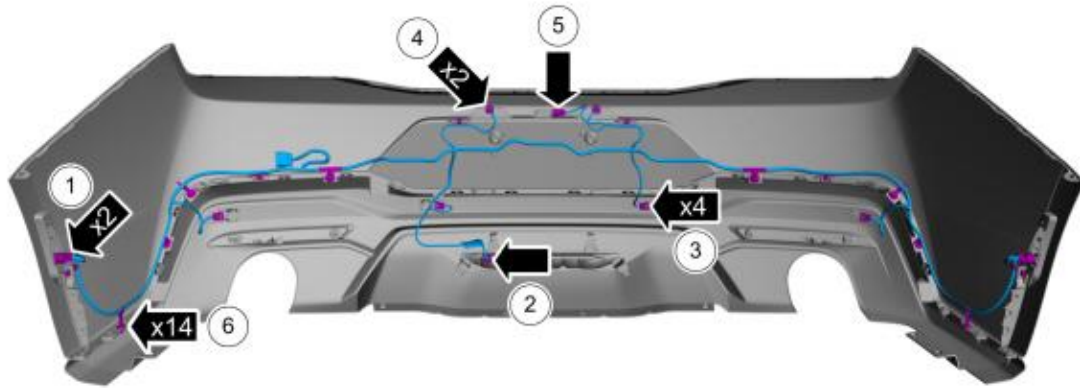
1. Disconnect the supplemental rear marker lamp electrical connectors.
2. Disconnect the supplemental reverse lamp electrical connector.
3. Disconnect the rear parking aid electrical connectors.
4. Disconnect the license plate lamp electrical connectors.
5. Disconnect the decklid release switch electrical connector.
6. Detach the wiring retainers and remove the rear bumper cover wiring harness

Factory Ford shop manuals are available from Helm Publications, 1-800-782-4356



FORD PERFORMANCE

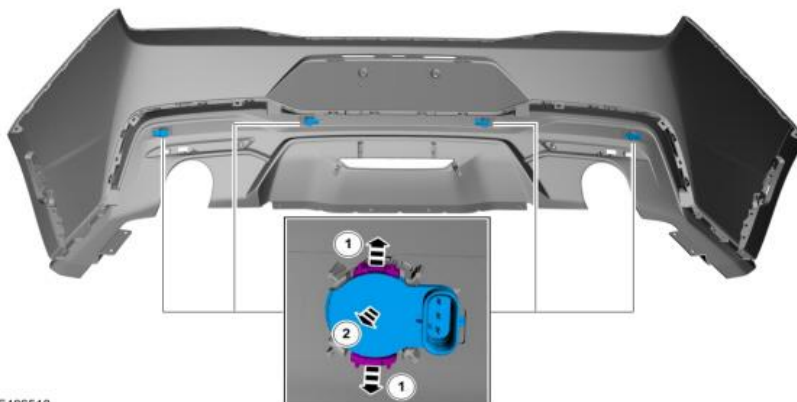
M-5200-M5EB/EC/EBV/ECV/EBVA/ECVA/SB/SC/SBV/SCV/SBVA/SCVA/
TBV/TCV
Model 2024+
Mustang 5.0L catback exhaust



E408287

Vehicles With: Rear Parking Aid

13. NOTE: Make sure that the isolator rings are installed correctly while installing the sensors.
1. Release the tabs.
 2. Remove the rear parking aid sensors from the brackets



E406510

All vehicles

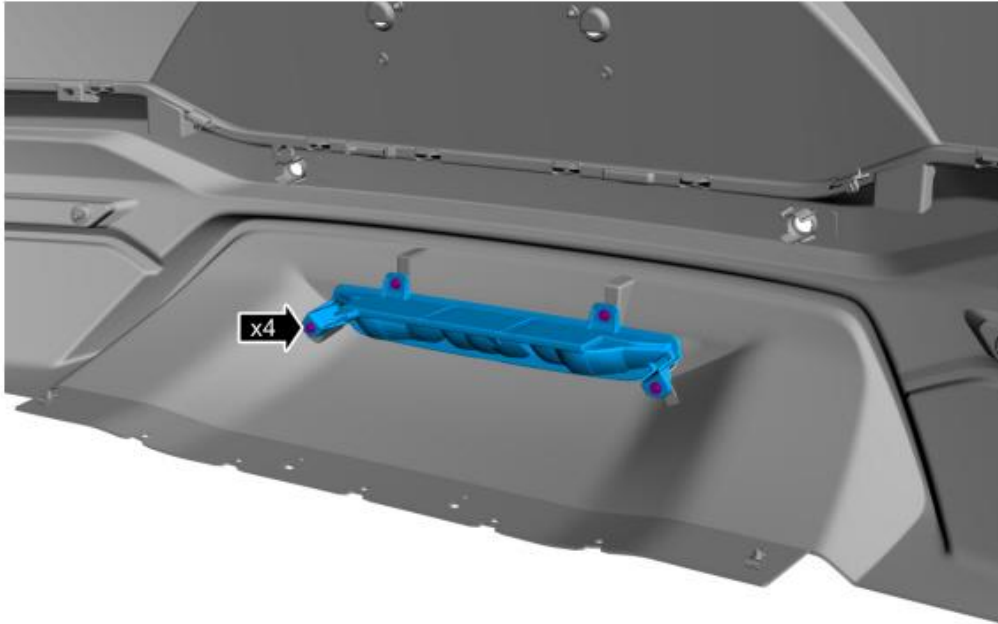
14. Remove the screws and the reversing lamp.
Torque: 18 lb.in (2 Nm)

Factory Ford shop manuals are available from Helm Publications, 1-800-782-4356



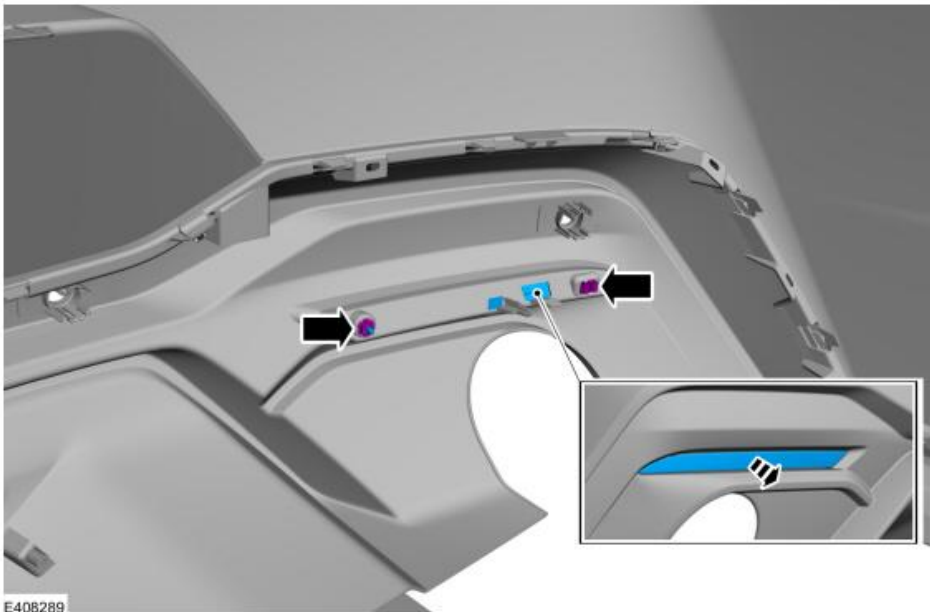
FORD PERFORMANCE

M-5200-M5EB/EC/EBV/ECV/EBVA/ECVA/SB/SC/SBV/SCV/SBVA/SCVA/
TBV/TCV
Model 2024+
Mustang 5.0L catback exhaust



E408288

15. On both sides.
1. Remove the speed nut.
 2. Torque: 13 lb.in (1.5 Nm)



E408289

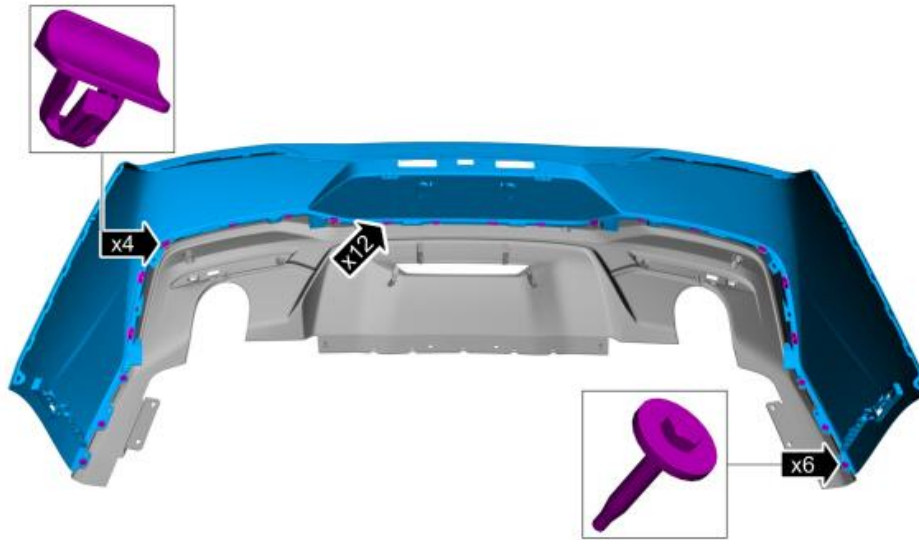
16. Remove the screws. Torque: 18 lb.in (2 Nm)
1. Remove the push pins.
 2. Release the tabs and remove the upper bumper cover.

Factory Ford shop manuals are available from Helm Publications, 1-800-782-4356



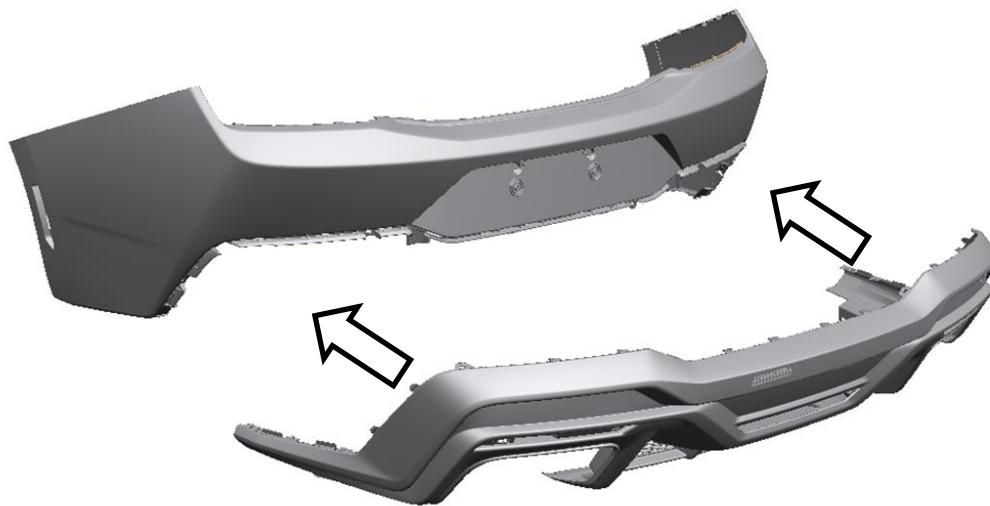
FORD PERFORMANCE

M-5200-M5EB/EC/EBV/ECV/EBVA/ECVA/SB/SC/SBV/SCV/SBVA/SCVA/
TBV/TCV
Model 2024+
Mustang 5.0L catback exhaust



E408293

17. install the provided valence by snapping together clips and reinstalling bolts from step 15
 1. Do not reinstall rear bumper until Exhaust modification is complete and installed.



Install Borla exhaust system

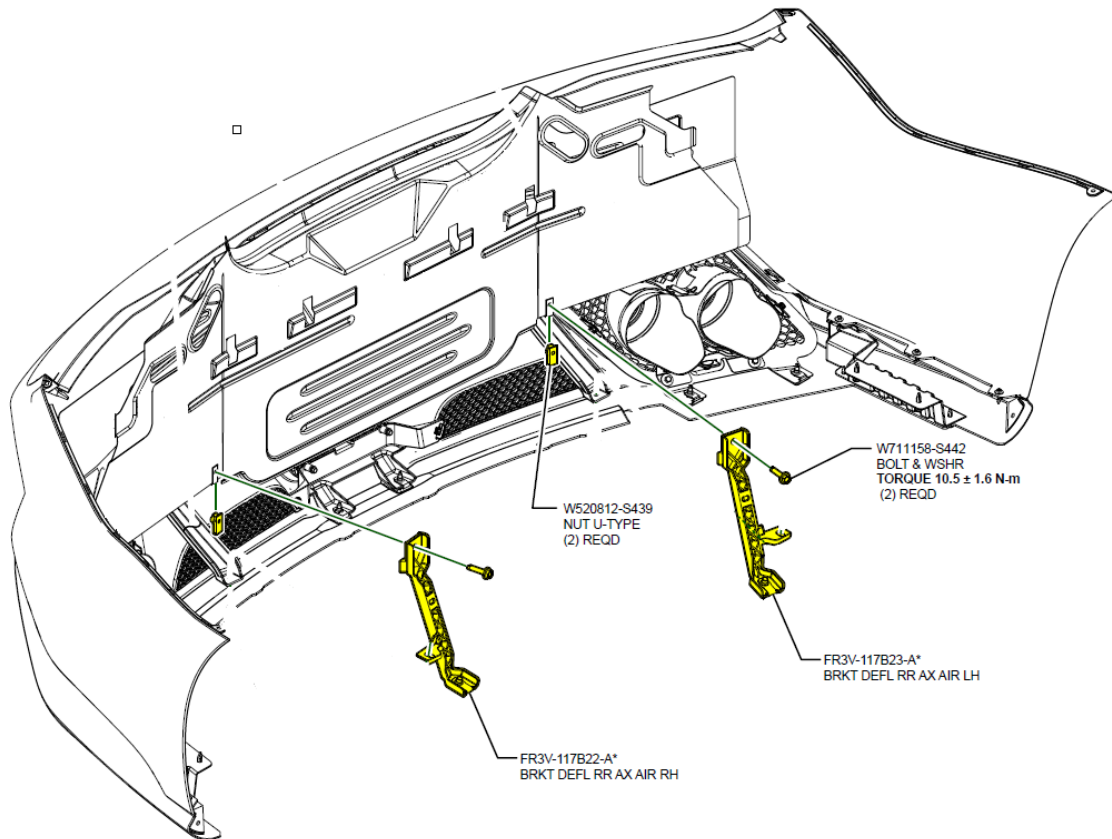
Factory Ford shop manuals are available from Helm Publications, 1-800-782-4356



FORD PERFORMANCE

M-5200-M5EB/EC/EBV/ECV/EBVA/ECVA/SB/SC/SBV/SCV/SBVA/SCVA/
TBV/TCV
Model 2024+
Mustang 5.0L catback exhaust

18. Reverse installation procedure to install rear bumper
19. Install M6 U-nut on rear sheet metal
20. Install RH & LH Diffuser hangers using M6 x 25 Bolt
 1. Torque 10.5 +/- 1.6 Nm



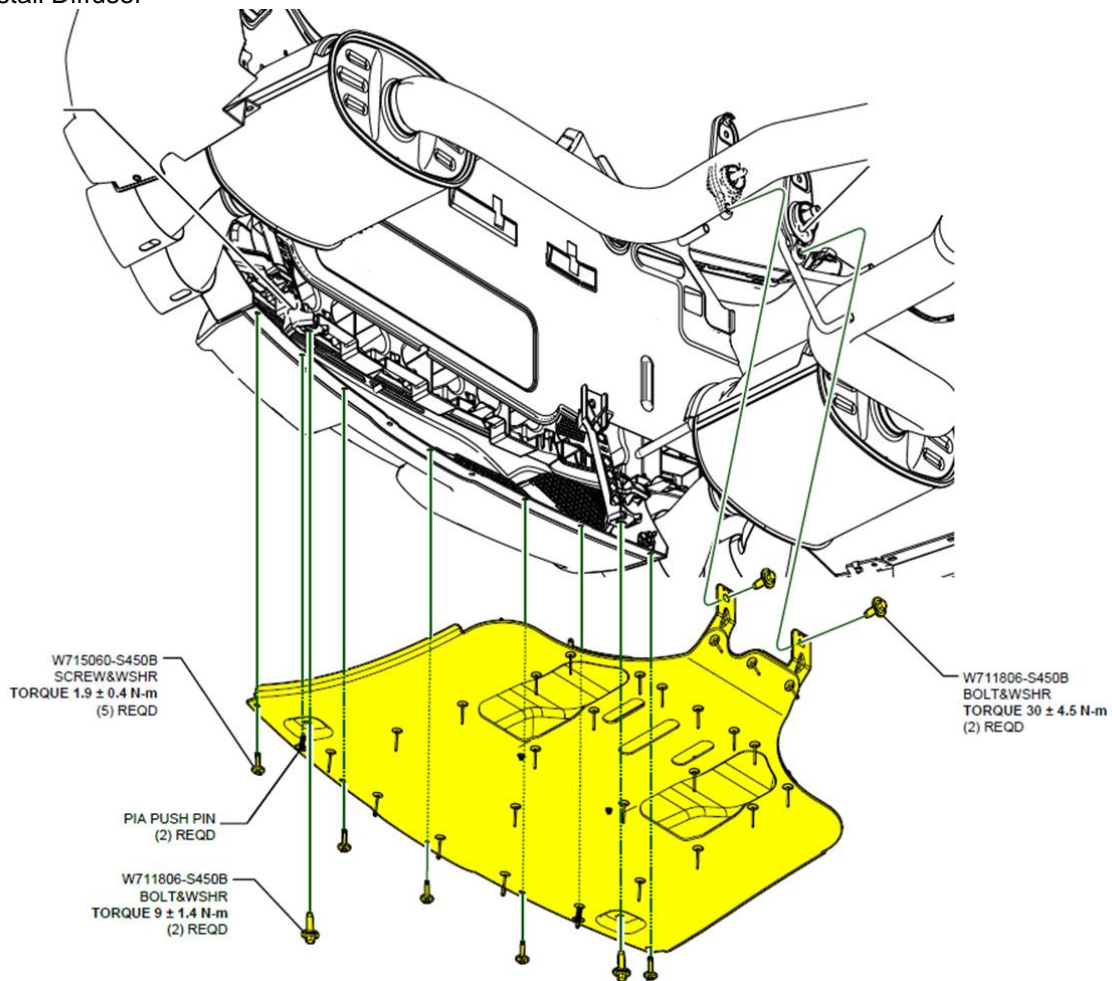
Factory Ford shop manuals are available from Helm Publications, 1-800-782-4356



FORD PERFORMANCE

M-5200-M5EB/EC/EBV/ECV/EBVA/ECVA/SB/SC/SBV/SCV/SBVA/SCVA/
TBV/TCV
Model 2024+
Mustang 5.0L catback exhaust

21. Install Diffuser



Factory Ford shop manuals are available from Helm Publications, 1-800-782-4356



FORD PERFORMANCE

M-5200-M5EB/EC/EBV/ECV/EBVA/ECVA/SB/SC/SBV/SCV/SBVA/SCVA/
TBV/TCV
Model 2024+
Mustang 5.0L catback exhaust

KIT INCLUDES:

<u>Description</u>	<u>Qty:</u>
Rear Muffler	2
Front muffler or X-pipe	1
Clamp	4
Left Hand Intermediate Pipe	1
Right Hand Intermediate Pipe	1

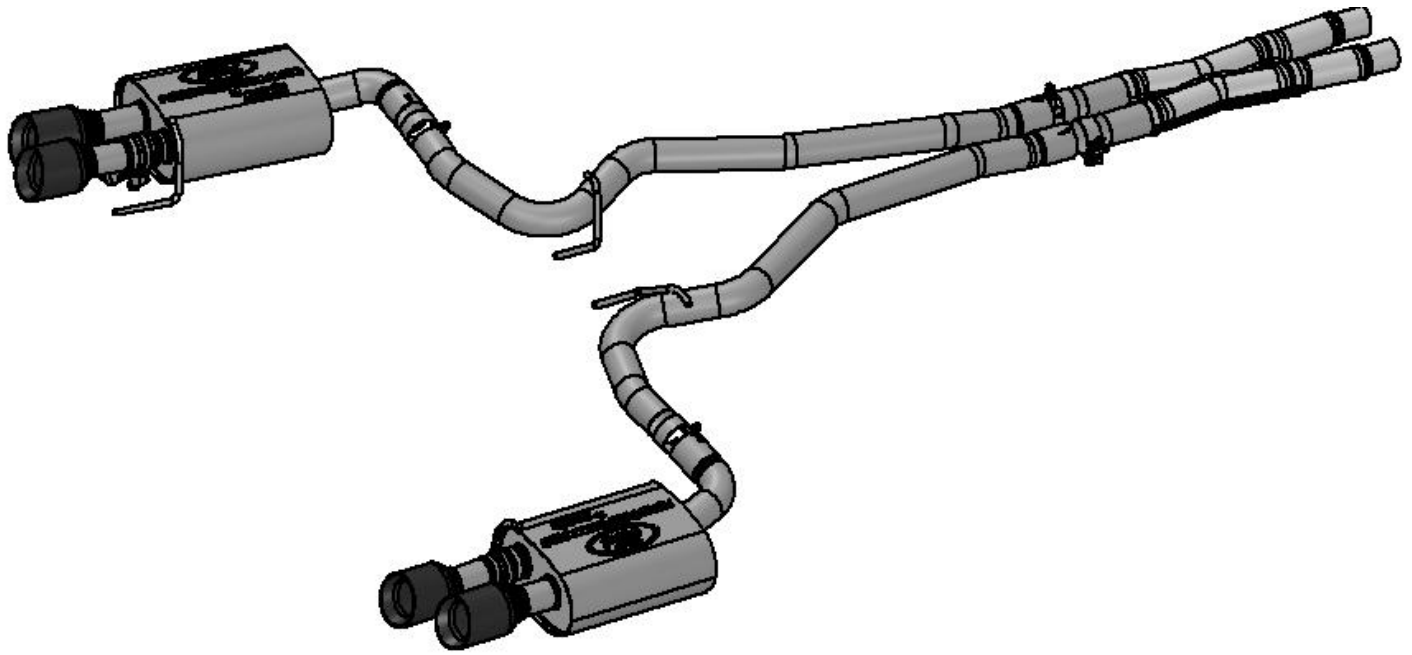
Factory Ford shop manuals are available from Helm Publications, 1-800-782-4356



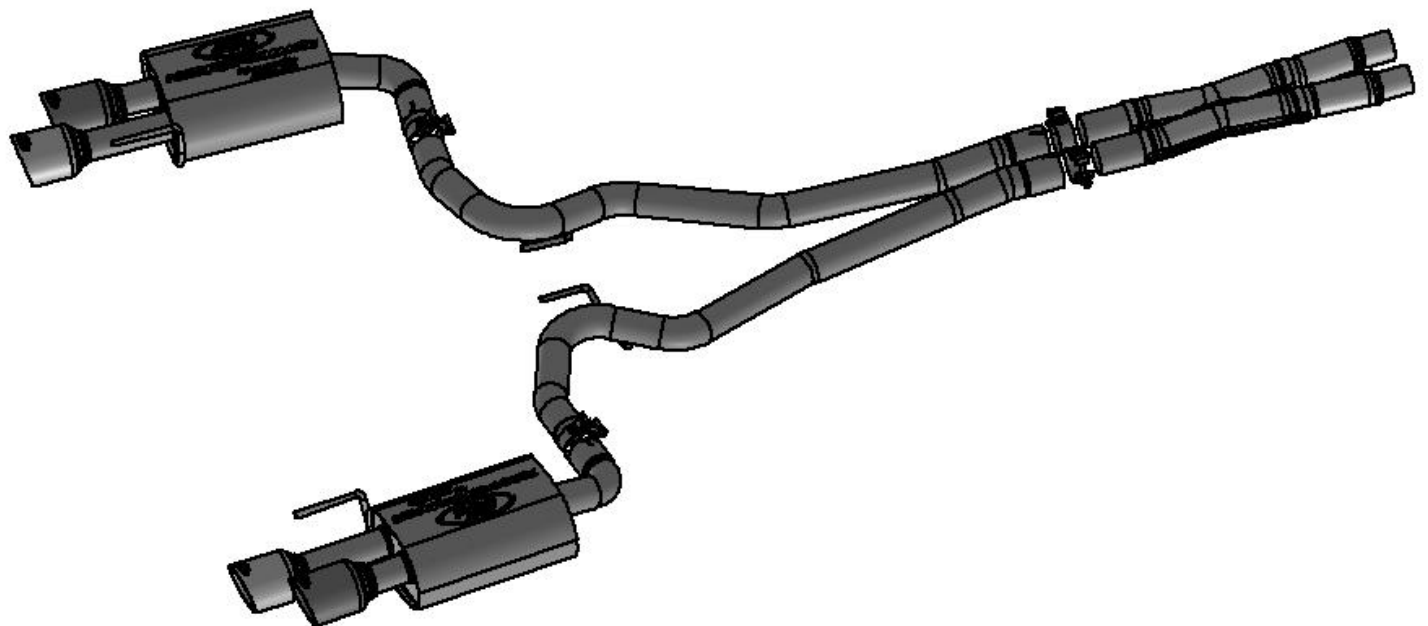
FORD PERFORMANCE

M-5200-M5EB/EC/EBV/ECV/EBVA/ECVA/SB/SC/SBV/SCV/SBVA/SCVA/
TBV/TCV
Model 2024+
Mustang 5.0L catback exhaust

Representative image for M-5200-M5EB_EBVA_SB_SBVA. M-5200-M5EC_ECVA_SC_SCVA are chrome tip versions.



Representative image for M-5200-M5ECV_SCV. M-5200-M5EBV_SBV are black tip versions.



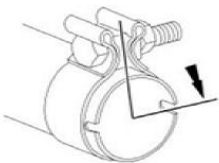
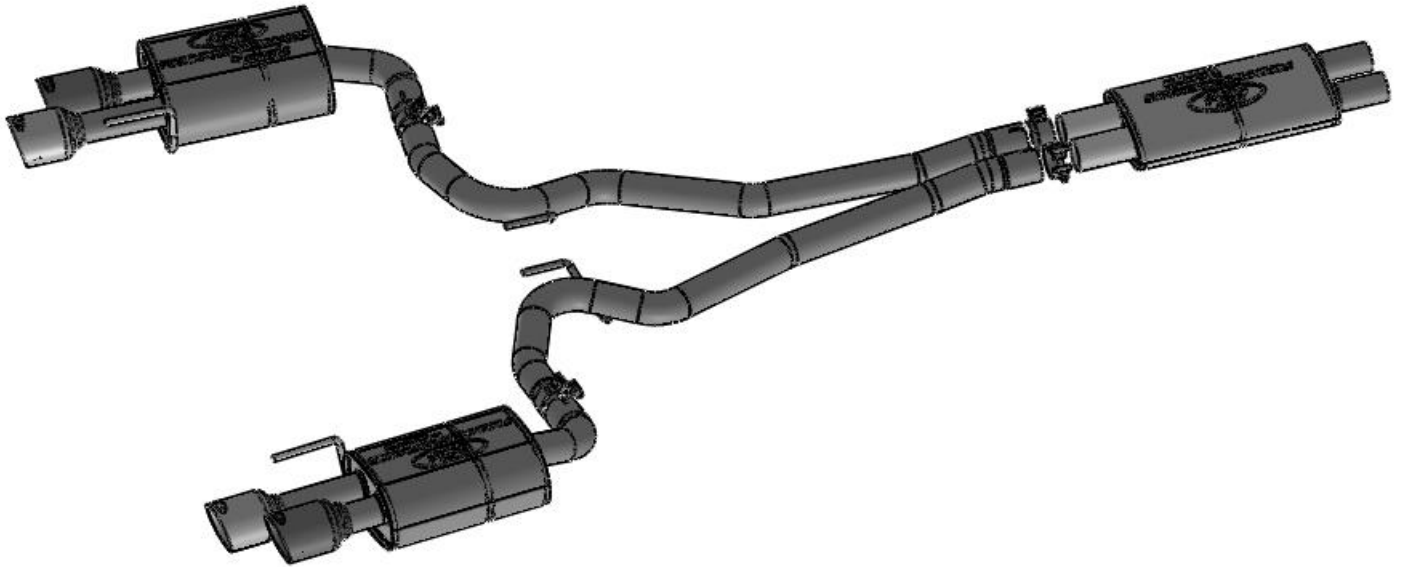
Factory Ford shop manuals are available from Helm Publications, 1-800-782-4356



FORD PERFORMANCE

M-5200-M5EB/EC/EBV/ECV/EBVA/ECVA/SB/SC/SBV/SCV/SBVA/SCVA/
TBV/TCV
Model 2024+
Mustang 5.0L catback exhaust

M-5200-M5TCV. M-5200-M5TBV is the black tip version.



To tighten the exhaust clamp.

- The exhaust clamp should be installed to within a 1/16" of the edge of the expanded and notched pipe.
- The Bolt section should not be over either of the notches, Perpendicular to the notches is preferred.
- Tighten to 48 Nm (35 lb./Ft.)

Factory Ford shop manuals are available from Helm Publications, 1-800-782-4356



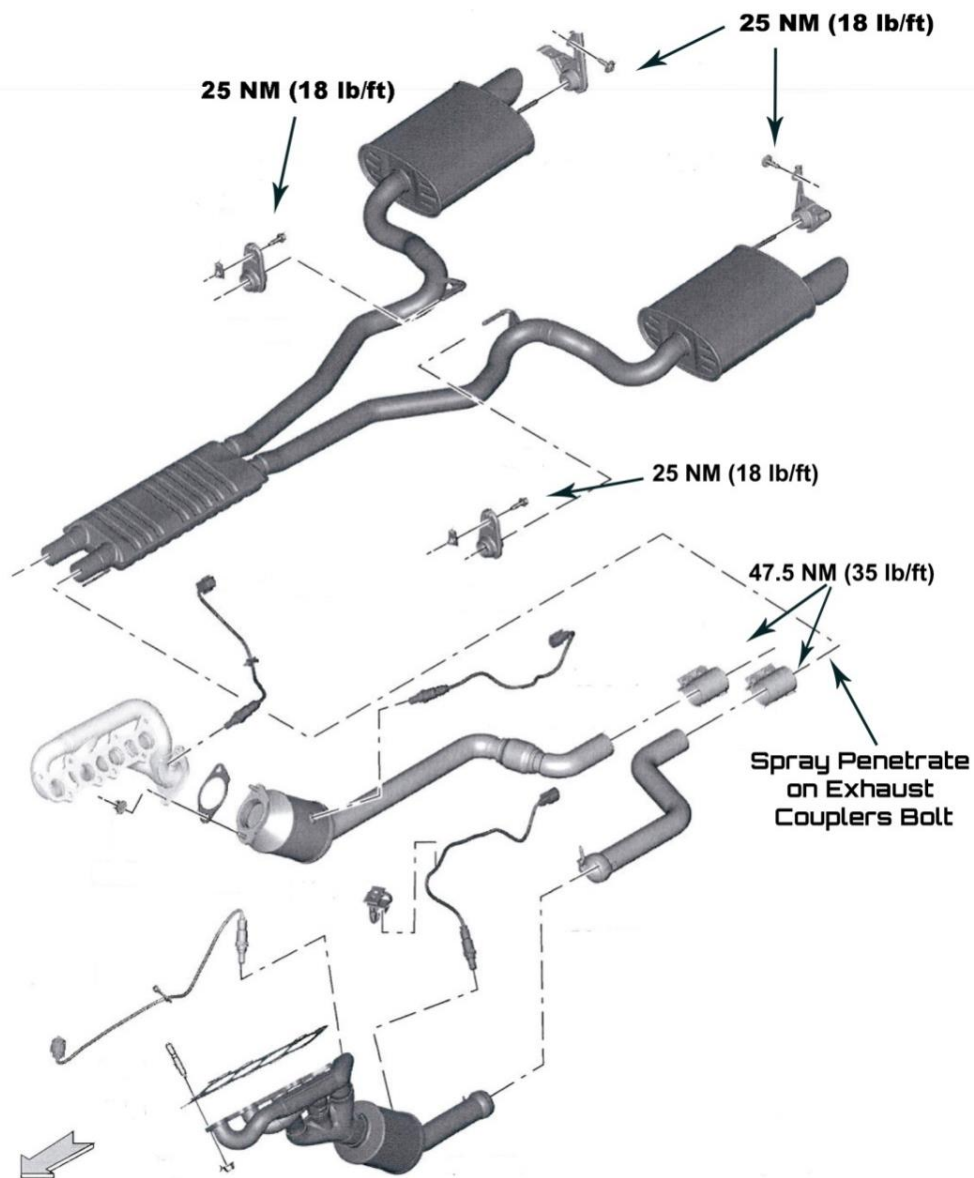
FORD PERFORMANCE

M-5200-M5EB/EC/EBV/ECV/EBVA/ECVA/SB/SC/SBV/SCV/SBVA/SCVA/
TBV/TCV
Model 2024+
Mustang 5.0L catback exhaust

REMOVAL INSTRUCTIONS:

STEP 1: Raise and support vehicle.

STEP 2: Spray penetrate on exhaust coupler bolts. Loosen all Exhaust coupler bolts.



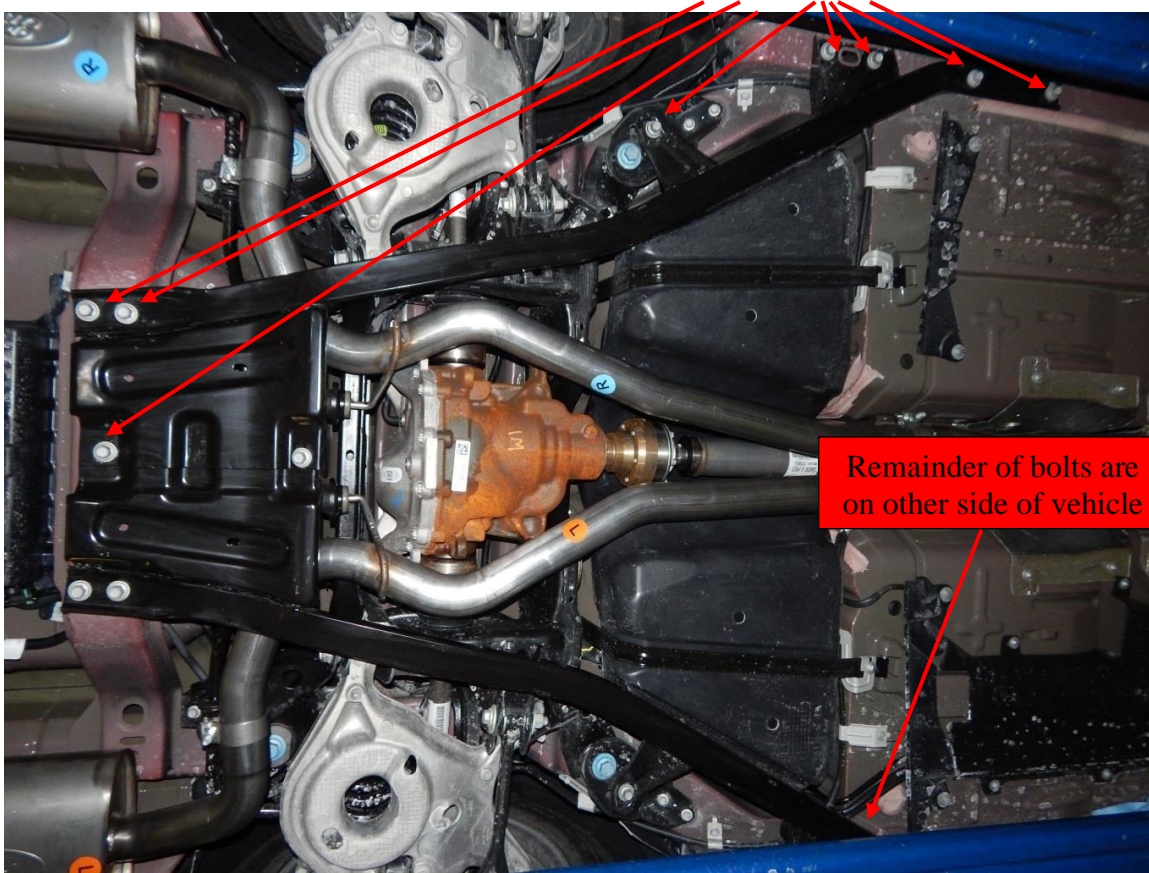
Factory Ford shop manuals are available from Helm Publications, 1-800-782-4356



FORD PERFORMANCE

M-5200-M5EB/EC/EBV/ECV/EBVA/ECVA/SB/SC/SBV/SCV/SBVA/SCVA/
TBV/TCV
Model 2024+
Mustang 5.0L catback exhaust

If vehicle is a convertible, remove the extra bracing by removing 15 bolts using a 15mm socket.



STEP 3: If the system has valves, disconnect the valves at the rear mufflers (LH and RH). Pull the pin holding the connector in slide it out of the valve actuator assy.



Factory Ford shop manuals are available from Helm Publications, 1-800-782-4356



FORD PERFORMANCE

M-5200-M5EB/EC/EBV/ECV/EBVA/ECVA/SB/SC/SBV/SCV/SBVA/SCVA/
TBV/TCV
Model 2024+
Mustang 5.0L catback exhaust

STEP 4: Using a 15mm socket loosen nuts on clamps at the front of the factory System.



STEP 5: Using a 13mm socket to remove bolts from exhaust hangers in rear Sub frame near the rear axle, LH and RH sides.



Factory Ford shop manuals are available from Helm Publications, 1-800-782-4356



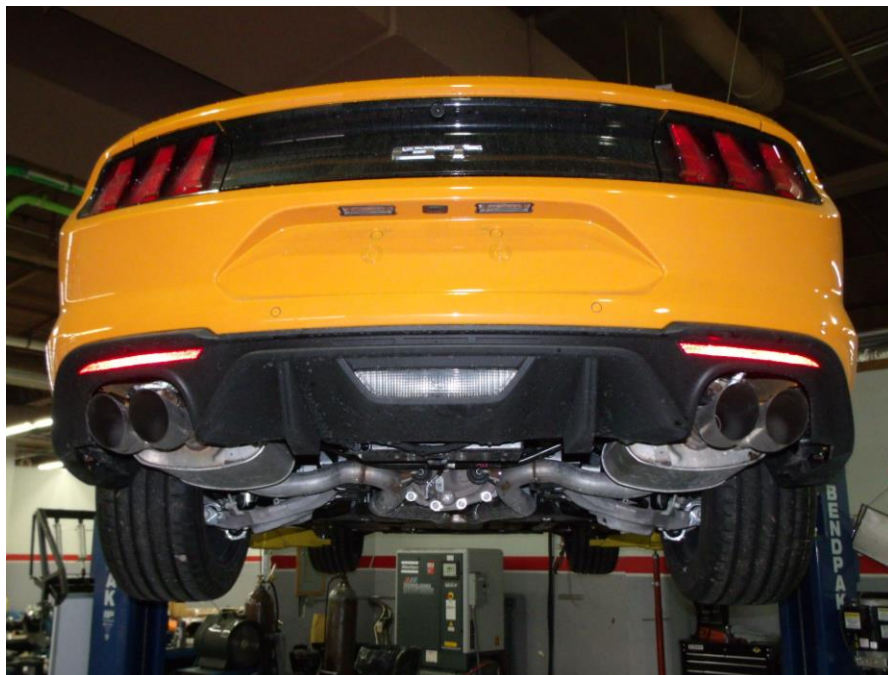
FORD PERFORMANCE

M-5200-M5EB/EC/EBV/ECV/EBVA/ECVA/SB/SC/SBV/SCV/SBVA/SCVA/
TBV/TCV
Model 2024+
Mustang 5.0L catback exhaust

STEP 6: After loosening exhaust clamps, slide clamps back on exhaust pipe releasing them from the down pipes. Remove clamps from resonator pipes and slide back onto down pipes.



Step 7: Allowing exhaust to hang down, remove rear mufflers from hangers by moving the exhaust system towards front of vehicle.
Note: Have someone help with this step.



Factory Ford shop manuals are available from Helm Publications, 1-800-782-4356



FORD PERFORMANCE

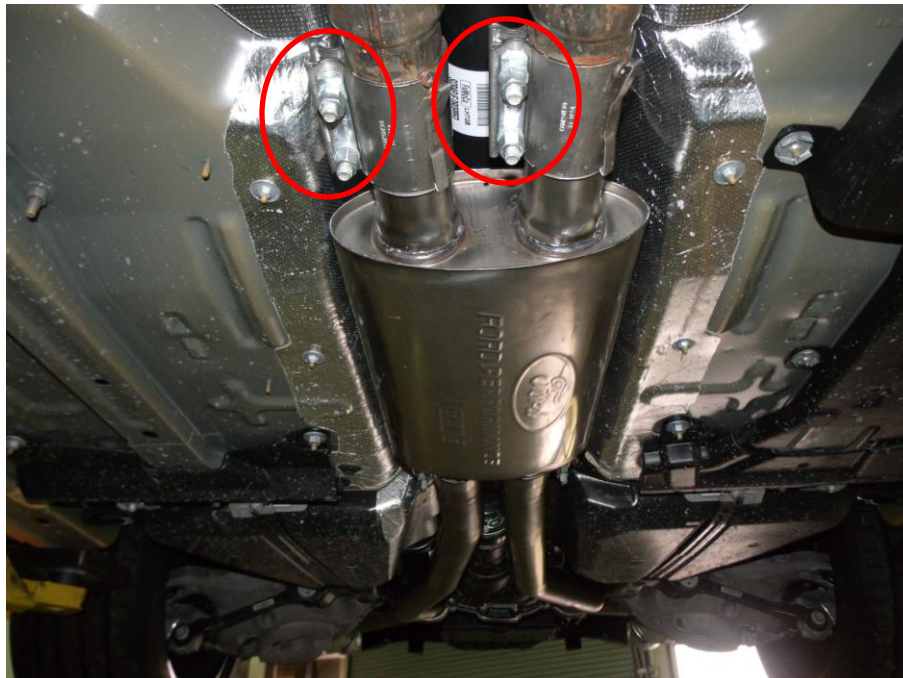
M-5200-M5EB/EC/EBV/ECV/EBVA/ECVA/SB/SC/SBV/SCV/SBVA/SCVA/
TBV/TCV
Model 2024+
Mustang 5.0L catback exhaust

INSTALLATION INSTRUCTIONS:

Step 1: Remove factory exhaust clamps from system and slide them onto flex pipes locking the lock tabs in place.



Step 2: Install new front muffler (or x-pipe) onto clamps. Snug but do not tighten.



Factory Ford shop manuals are available from Helm Publications, 1-800-782-4356



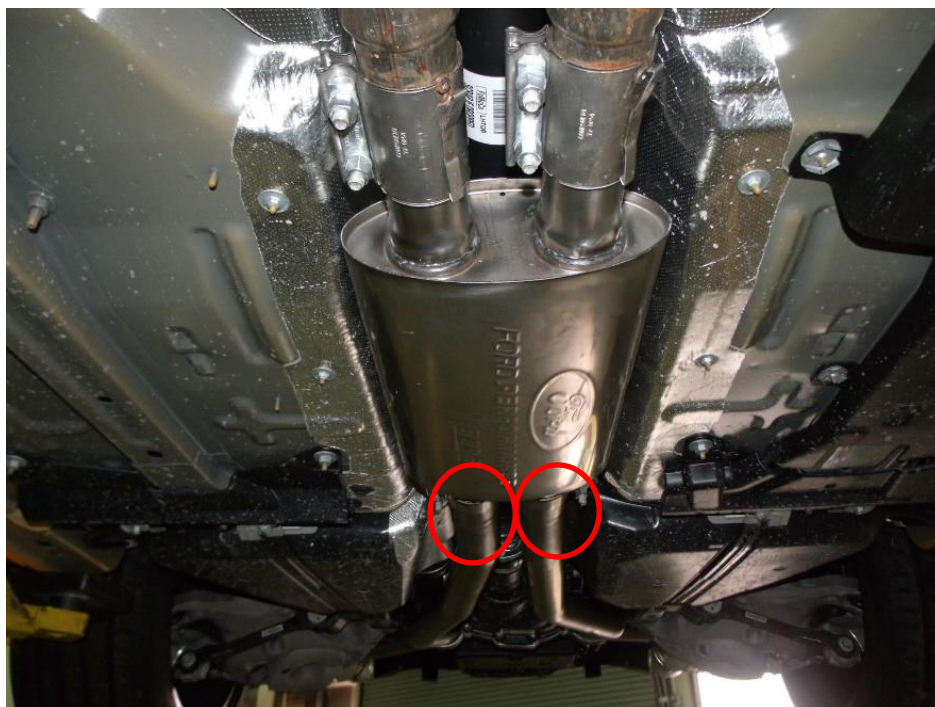
FORD PERFORMANCE

M-5200-M5EB/EC/EBV/ECV/EBVA/ECVA/SB/SC/SBV/SCV/SBVA/SCVA/
TBV/TCV
Model 2024+
Mustang 5.0L catback exhaust

Step 3: Install factory hangers (previously removed) onto under axle pipes.



Step 4: Install supplied clamps onto front muffler side of under axle pipes, slide pipes/clamps onto front muffler. Using a 13mm socket install bolts in exhaust hangers in rear sub frame.



Factory Ford shop manuals are available from Helm Publications, 1-800-782-4356



FORD PERFORMANCE

M-5200-M5EB/EC/EBV/ECV/EBVA/ECVA/SB/SC/SBV/SCV/SBVA/SCVA/
TBV/TCV
Model 2024+
Mustang 5.0L catback exhaust



Step 5: Using a 13mm socket tighten bolts to 25 nm (18 lb-ft) in rear Sub frame exhaust hangers.



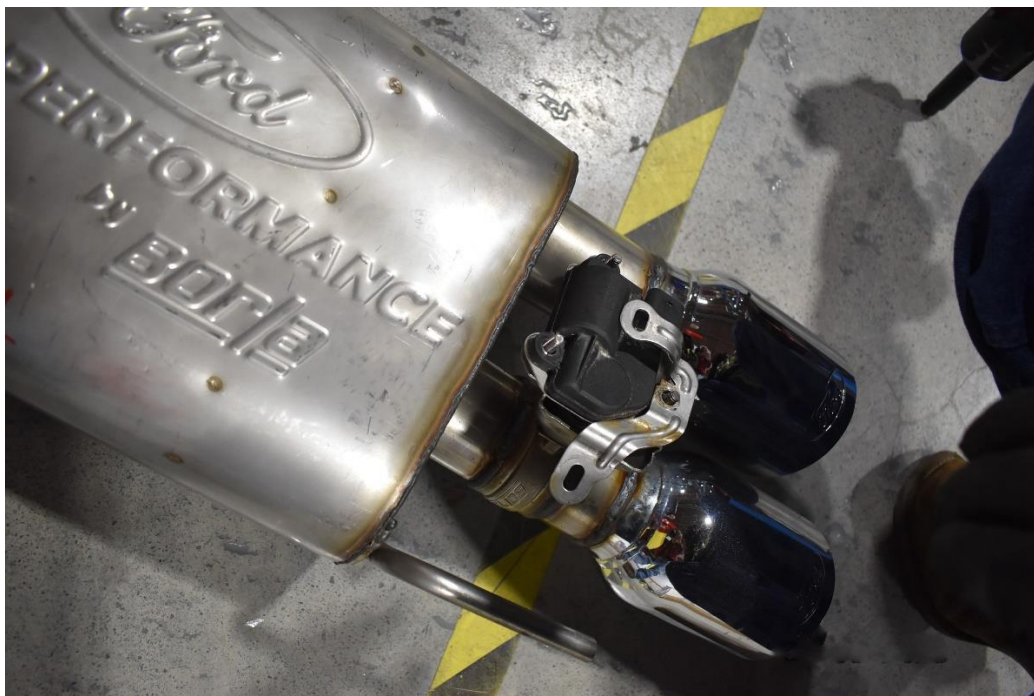
Factory Ford shop manuals are available from Helm Publications, 1-800-782-4356



FORD PERFORMANCE

M-5200-M5EB/EC/EBV/ECV/EBVA/ECVA/SB/SC/SBV/SCV/SBVA/SCVA/
TBV/TCV
Model 2024+
Mustang 5.0L catback exhaust

NOTE: For systems with valves, the actuator will have to be removed from the factory system by removing 3 nuts as shown and attached to the valve on the new exhaust. The Factory bracket also needs to be installed in the factory location.



Factory Ford shop manuals are available from Helm Publications, 1-800-782-4356



FORD PERFORMANCE

M-5200-M5EB/EC/EBV/ECV/EBVA/ECVA/SB/SC/SBV/SCV/SBVA/SCVA/
TBV/TCV
Model 2024+
Mustang 5.0L catback exhaust

Step 6: Install supplied clamps onto the new muffler inlets and slide muffler hangers into factory exhaust hangers. Next slide the mufflers over the under axle pipes, centering tips in rear bumper opening. Attach the wiring harness to the valves.



Factory Ford shop manuals are available from Helm Publications, 1-800-782-4356



FORD PERFORMANCE

M-5200-M5EB/EC/EBV/ECV/EBVA/ECVA/SB/SC/SBV/SCV/SBVA/SCVA/
TBV/TCV
Model 2024+
Mustang 5.0L catback exhaust

Step 7: Check your exhaust system for proper clearance under the vehicle and also for tip alignment, tighten the clamps to 32-35 ft. lbs, checking tip alignment and clearances as you do. There should be a minimum gap of 25mm from the tips to the edge of the car, and the tips should be in 25mm from the outermost edge of the rear bumper.

For the convertible, replace the brace and torque the fasteners to 47.5 nm (35 ft-lbs). Ref. picture on page 4. Check for clearance of the exhaust to the brace, differential housing, and body rail.



Factory Ford shop manuals are available from Helm Publications, 1-800-782-4356



FORD PERFORMANCE

M-5200-M5EB/EC/EBV/ECV/EBVA/ECVA/SB/SC/SBV/SCV/SBVA/SCVA/
TBV/TCV
Model 2024+
Mustang 5.0L catback exhaust



STEP 8: Start vehicle and check for any leaks. If any leaks are found, determine cause (such as loose or incorrectly positioned clamp) and repair as necessary.

Congratulations!!! You have completed the installation of your new Ford Performance Parts Exhaust Kit.

Note: When you first start your vehicle after the installation of your new Ford Performance Parts Exhaust System, there may be some smoke and fumes coming from the system. This is a protective water based coating used in the manufacturing of mandrel bent performance exhaust tubing. This is not a problem and will disappear within a very short period of time after the exhaust has reached operating temperatures.

Factory Ford shop manuals are available from Helm Publications, 1-800-782-4356