



FORD PERFORMANCE

M-5230-MSVTCD Mustang GT with GT500 Quad Tip Exhaust INSTALLATION INSTRUCTIONS

NO PART OF THIS DOCUMENT MAY BE REPRODUCED WITHOUT PRIOR AGREEMENT AND WRITTEN PERMISSION OF FORD PERFORMANCE PARTS.

Please visit www.fordracingparts.com for the most current instruction information

!!! PLEASE READ ALL OF THE FOLLOWING INSTRUCTIONS CAREFULLY PRIOR TO INSTALLATION. AT ANY TIME YOU DO NOT UNDERSTAND THE INSTRUCTIONS, PLEASE CALL THE FORD PERFORMANCE TECHLINE AT 1-800-367-3788 !!!

OVERVIEW:

THE USE OF A FLOOR HOIST IS RECOMMENDED FOR THIS INSTALLATION. IF YOU DO NOT HAVE ACCESS TO ONE, USE A HYDRAULIC FLOOR JACK AND JACK STANDS TO RAISE THE VEHICLE.

!!! CAUTION: JACK STANDS MUST BE USED ON A LEVEL SURFACE AND BE SECURELY SEATED. FAILURE TO DO SO MAY RESULT IN PERSONAL INJURY OR VEHICLE DAMAGE !!!

KIT INCLUDES:

<u>Item #</u>	<u>Description</u>	<u>Qty</u>
DR3Z-17F828-AB	Bumper Extension	1
DR3Z-5230-L	RH GT500 Muffler	1
DR3Z-5230-M	LH GT500 Muffler	1
W707291-S439	Nut (M4.2)	2
W712919-S900	Bracket Screw	2
W705436-S300	Push Pin (6 x 18mm)	1
W716237-S300	Retainer	2
YL8Z-16K262-S300	Grommet	2
W709984-S300	Rivet Push Pin	4
W708737-S439	Bolt	2
W716460-S300	Clip (5x12x2.5)	7
PC-5234A	Insert Box	1
PC-Bump	Bumper Corrugated	1

BUMPER COVER – REAR REMOVAL:

STEP 1: Raise and support vehicle.

STEP 2: Remove tail lights from vehicle.

Tail Light Removal

STEP 2A: Remove the rear luggage compartment scuff plate.

STEP 2B: Position the luggage compartment side trim panel aside.

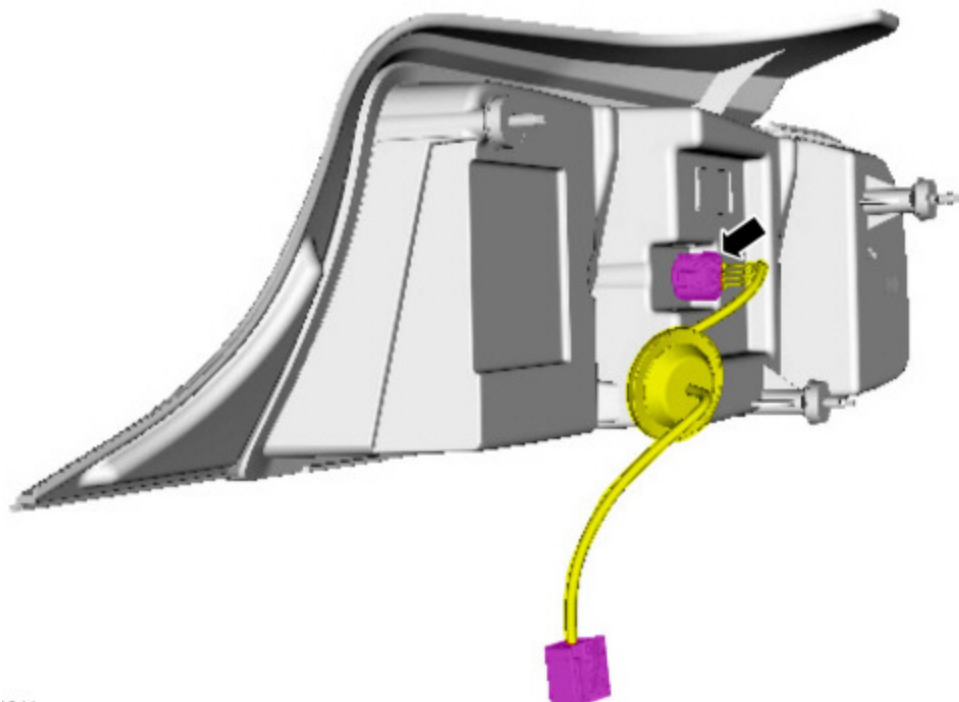
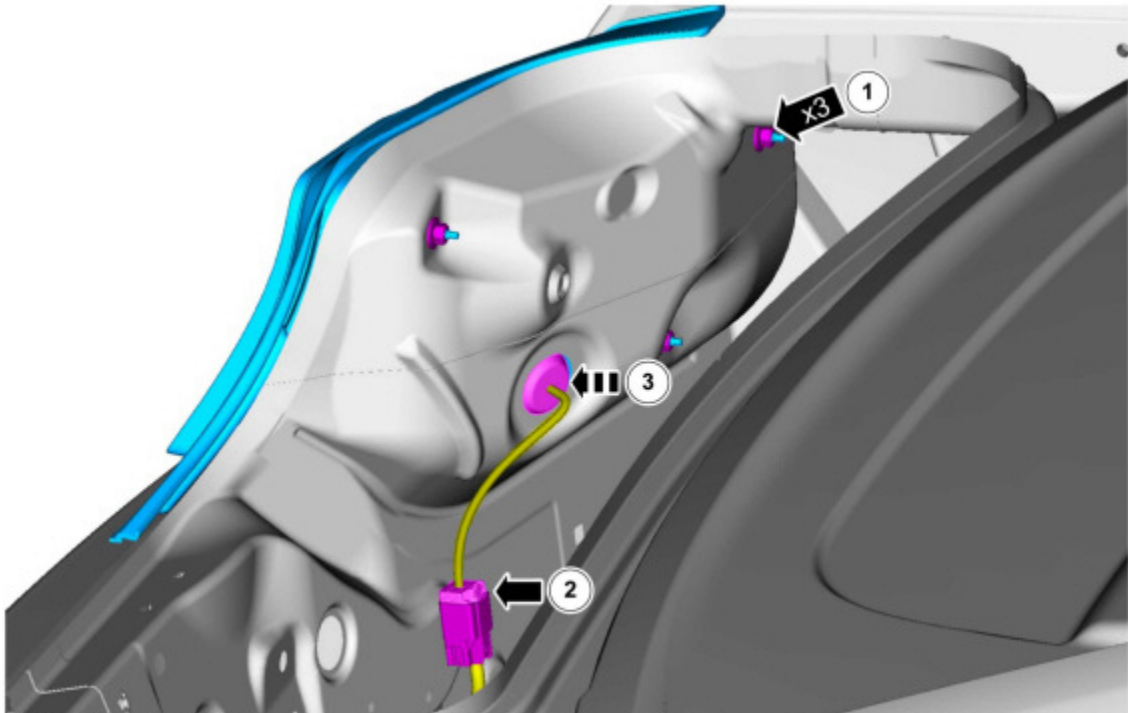
Factory Ford shop manuals are available from Helm Publications, 1-800-782-4356



FORD PERFORMANCE

M-5230-MSVTCD Mustang GT with GT500 Quad Tip Exhaust INSTALLATION INSTRUCTIONS

- STEP 2C:** Feed the wiring harness through the rear of the vehicle.
- To install, reverse the removal procedure and tighten to 6 Nm (53 lb-in).



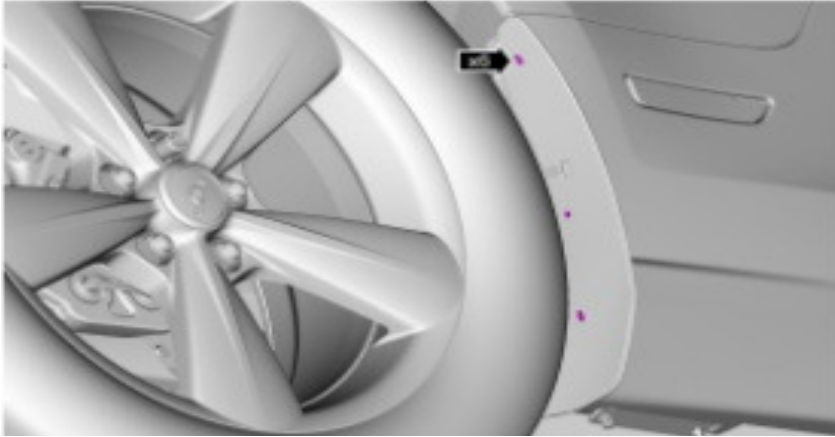
Factory Ford shop manuals are available from Helm Publications, 1-800-782-4356



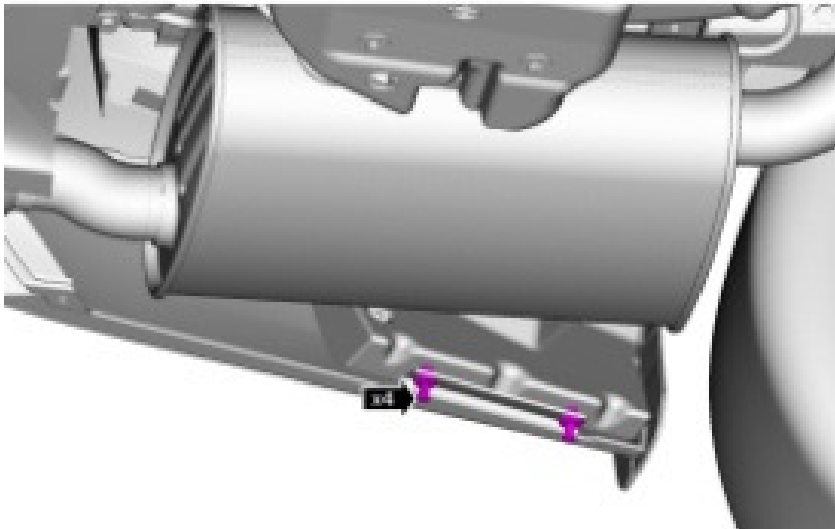
FORD PERFORMANCE

M-5230-MSVTC Mustang GT with GT500 Quad Tip Exhaust INSTALLATION INSTRUCTIONS

- STEP 3:** Three on each side. (x6)
- To install, tighten to 3.2 Nm (28 lb-in).



- STEP 4:** Two on each side. (x4)



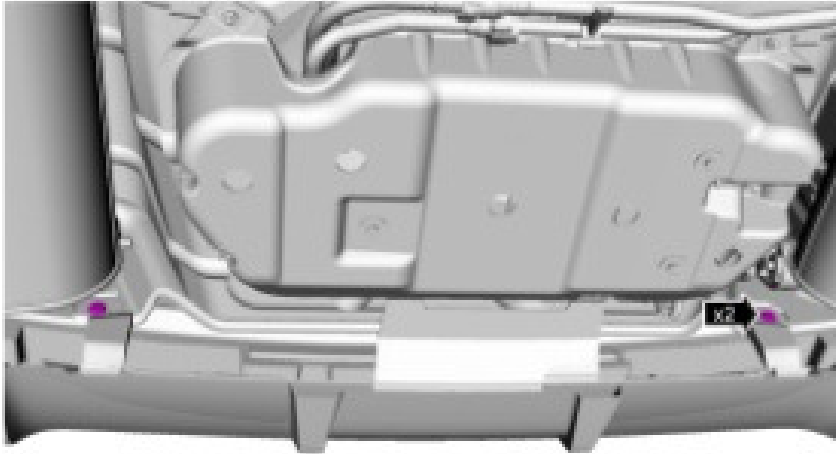
Factory Ford shop manuals are available from Helm Publications, 1-800-782-4356



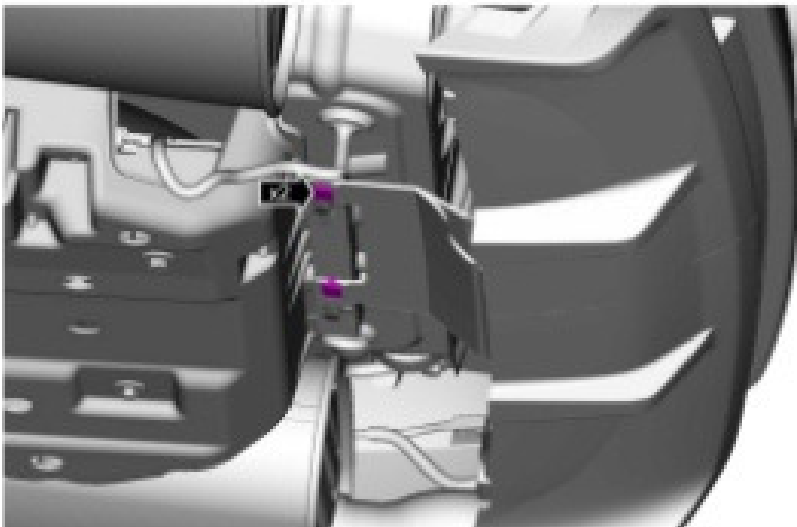
FORD PERFORMANCE

**M-5230-MSVTC D
Mustang GT with GT500 Quad Tip Exhaust
INSTALLATION INSTRUCTIONS**

STEP 5: Remove push pins. (X2)



STEP 6: Remove push pins. (X2)



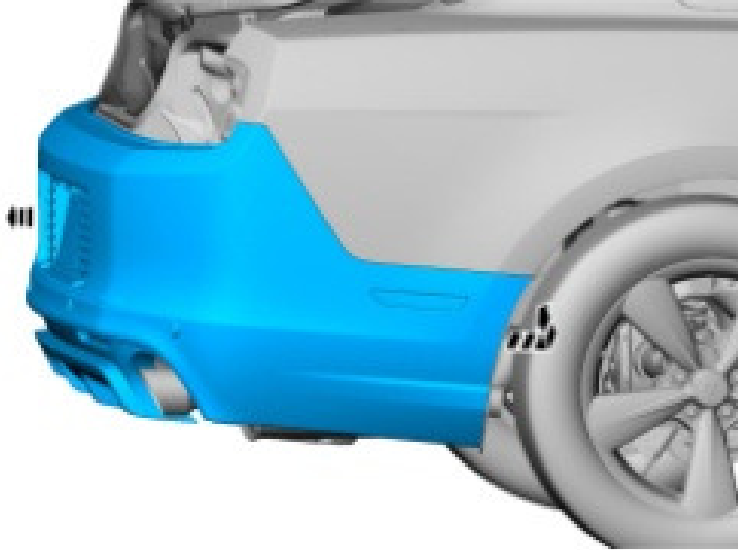
Factory Ford shop manuals are available from Helm Publications, 1-800-782-4356



FORD PERFORMANCE

M-5230-MSVTCD Mustang GT with GT500 Quad Tip Exhaust INSTALLATION INSTRUCTIONS

- STEP 7:** Remove rear bumper cover.
- To install, reverse the removal procedure.



MUFFLER REMOVAL:

WARNING: Do not use petroleum-based lubricants on the isolators. It may cause deterioration of the rubber.

NOTE: Discard the ball clamp after removal.

STEP 1: With the vehicle in NEUTRAL, position it on a hoist. Loosen the ball clamp and separate the intermediate pipe from the muffler inlet.

STEP 2: Remove the two bolts from the Lateral Stiffener Bar and swing down for clearance. (See Figures below)



NOTE: Lubricate the muffler assembly isolators with soapy water to ease in removal.

STEP 3: Un-bolt the muffler assembly rear isolator and slide the muffler assembly 2 hooks out of the front isolator.

- Remove the muffler assembly from the vehicle.

Factory Ford shop manuals are available from Helm Publications, 1-800-782-4356



FORD PERFORMANCE

M-5230-MSVTC D Mustang GT with GT500 Quad Tip Exhaust INSTALLATION INSTRUCTIONS

STEP 4: Remove and discard the ball clamp.

MUFFLER INSTALLATION:

STEP 1: Position new ball clamp on the muffler assembly.

NOTE: Lubricate the muffler assembly isolators with soapy water to ease in installation.

STEP 2: Slide the muffler assembly 2 hooks into the front isolator and then attach the rear isolator.

STEP 3: Install two new bolts into Lateral Stiffener Bar and Tighten to 62 Nm (46 lb-ft)

STEP 4: Tighten the new intermediate pipe-to-muffler inlet ball clamp.

- Tighten to 30 Nm (22 lb-ft).

Rear Bumper Cover Modifications

STEP 1: Following the molded in line, trace inside of lower bumper cover with white paint pen. (See figures 1, 2 and 3)



Trace this line on inside of bumper cover.



Figure 1



Figure 2



Figure 3

Factory Ford shop manuals are available from Helm Publications, 1-800-782-4356



FORD PERFORMANCE

M-5230-MSVTCD Mustang GT with GT500 Quad Tip Exhaust INSTALLATION INSTRUCTIONS

STEP 2: Cut along trace line with air saw and de-burr after cutting. (See figures 4,5,6 and 7)



Figure 4



Figure 5



Figure 6



Figure 7

STEP 3: Remove snap in fascia and rear reflectors. (See figures 8, 9 and 10)



Figure 8



Figure 9



Figure 10

Factory Ford shop manuals are available from Helm Publications, 1-800-782-4356



FORD PERFORMANCE

M-5230-MSVTCD Mustang GT with GT500 Quad Tip Exhaust INSTALLATION INSTRUCTIONS

STEP 4: Outline clip locations (x9) with white paint pen, on inside of rear bumper cover. (See Figures 11 and 12)



Figure 11



Figure 12

STEP 5: Drill out clip locations and deburr (x9). (See figures 13,14,15,16 and 17)

WARNING: High speed grinders will melt bumper cover material!



Figure 13



Figure 14



Figure 15



Figure 16

Factory Ford shop manuals are available from Helm Publications, 1-800-782-4356



FORD PERFORMANCE

M-5230-MSVTCD Mustang GT with GT500 Quad Tip Exhaust INSTALLATION INSTRUCTIONS



Figure 17

STEP 6: Reinstall rear bumper. Refer to instructions on pages 3 - 5.

STEP 7: Install tail lights. Refer to instructions on pages 1 and 2.

STEP 8: Snap in rear fascia and rear reflectors. (See figure 18)



Figure 18

STEP 9: Install 2 bolts (right and left hand side of rear quarter panel). (See figure 19)



Figure 19

Factory Ford shop manuals are available from Helm Publications, 1-800-782-4356



FORD PERFORMANCE

**M-5230-MSVTCD
Mustang GT with GT500 Quad Tip Exhaust
INSTALLATION INSTRUCTIONS**

STEP 10: Lower vehicle.



Completed Vehicle

Factory Ford shop manuals are available from Helm Publications, 1-800-782-4356